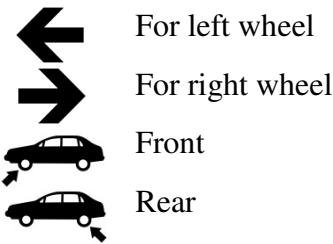


How to use the catalog?

With the help of our catalog it is very easy to choose the brake hoses you wish to order.

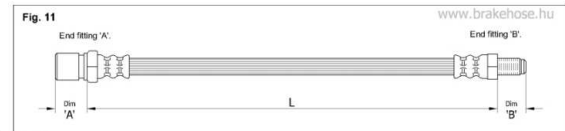
In the first section of the catalog you can find the list of automobile manufacturers. In the first column, under the name of each manufacturer, the vehicle types as well as the different subtypes within these types are listed. In the second column the production date for the relevant car type is shown, making it easier for you to specify exactly which brake hose is needed.

Meanings of pictograms:



In the last column you can find the number of the relevant figure that provides you with more detailed information concerning the length of the hose, the type of the end fittings and the additional features on the hose.

ALFA ROMEO - continued							Pic Nr
155 SALOON (167) - continued							
2.0 T.S. (167 A2A, 167 A2D)	02/1992 - 05/1995	104 kW	FT1376		Body Type: Saloon		Fig011
			FT2139		Brake Line (Pipe): at brake caliper		Fig034
			FT8489				Fig011
2.0 T.S. (167 A2D)	02/1992 - 01/1995	106 kW	FT1376		Body Type: Saloon		Fig034
			FT2139		Brake Line (Pipe): at brake caliper		Fig011
			FT8489				Fig034
2.0 16V Turbo Q4 (167 A2B, 167 A2C, 167 A2E)	01/1992 - 12/1997	137 kW	FT0236		Fitting Position: inner, Braking / Drive Dynamics: for vehicles with ABS		Fig011
			FT1376		Body Type: Saloon		Fig034
			FT2139		Brake Line (Pipe): at brake caliper		Fig011
			FT8489				Fig011



Part number	Length	End A	End B	Additional hose features
FT0055	218	M10X1 (INT.)	M10X1	
FT0058	308	M10X1 (INT.)	M10X1	
FT0060	347	M10X1 (INT.)	M10X1	
FT0062	370	M10X1 (INT.)	M10X1	
FT0105	472	M10X1 (INT.)	M10X1	
FT0106	140	M10X1 (INT.)	M10X1	
FT0107	393	M10X1 (INT.)	M10X1	

K&K - OE Reference

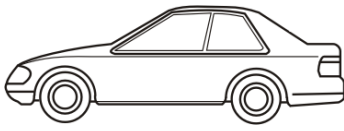
90079377	FT1374	588134A021
FT1353	51780396	FT1394
562306	60698795	588144A021
90077917	FT1375	FT1395
FT1354	60562631	588134A001
1J0611764AD	FT1376	FT1396
1J0611764K	46786435	1514230
1J0611764R	4806C4	1522925
FT1355	71736960	1718847
1J0611763K	FT1377	8V512078BA
FT1356	504088068	8V512078BB
562516	504229365	8V512078BC

Attention! These are **K&K** codes and there may be differences between K&K products and brake hoses produced by other manufacturers having the same code numbers. Please use the catalog with reference to **K&K brake hose** only.

All rights reserved.

All information were carefully made and examined, but we will not accept liability for the accuracy of the information contained herein.

K&K reserves the right to change information on this catalog at any time.

**kW****Pic
Nr****ABARTH****GRANDE PUNTO (199_)**

1.4 (199.AXN1B)	12/2007 - 06/2010	114 kW	FT2026	↔			Fig2026
1.4 (199.AXX1B)	12/2007 - 12/2012	132 kW	FT2026	↔			Fig2026

PUNTO (199_)

1.4 (199.AXX1B)	03/2012 -	120 kW	FT2026	↔			Fig2026
-----------------	-----------	--------	------------------------	---	--	--	---------

PUNTO EVO (199_)

1.4 (199.AXX1B)	10/2009 - 02/2012	120 kW	FT2026	↔			Fig2026
-----------------	-------------------	--------	------------------------	---	--	--	---------

ALFA ROMEO**MITO**

1.4 Turbo MultiAir (955AXS1B, 955AXS11)	10/2009 -	120 kW	FT2026	↔			Fig2026
1.4 TJet (955AXA1B)	08/2008 - 06/2011	114 kW	FT2026	↔			Fig2026
1.4 TJet (955AXD1B)	09/2008 - 06/2011	110 kW	FT2026	↔			Fig2026
1.4 MultiAir (955AXN1B)	09/2009 -	125 kW	FT2026	↔			Fig2026
1.4 TB (955.AYB11, 955.AXB1B)	12/2013 -	103 kW	FT2026	↔			Fig2026

AUDI**A1 CITY CARVER (GBH)**

25 TFSI	07/2019 -	70 kW	FT2029	↔		Fitting Position: inner	Fig2029
			FT2032	↔			Fig2032
30 TFSI	07/2019 -	85 kW	FT2029	↔		Fitting Position: inner	Fig2029
			FT2032	↔			Fig2032
35 TFSI	07/2019 -	110 kW	FT2029	↔		Fitting Position: inner	Fig2029
			FT2032	↔			Fig2032

A1 Sportback (GBA)

30 TFSI	07/2018 -	85 kW	FT2029	↔		Fitting Position: inner	Fig2029
			FT2032	↔			Fig2032
25 TFSI	11/2018 -	70 kW	FT2029	↔		Fitting Position: inner	Fig2029
			FT2032	↔			Fig2032
35 TFSI	09/2018 -	110 kW	FT2029	↔		Fitting Position: inner	Fig2029
			FT2032	↔			Fig2032
40 TFSI	09/2018 -	147 kW	FT2029	↔		Fitting Position: inner	Fig2029
			FT2032	↔			Fig2032

A4 Allroad (8WH, 8WJ, B9)

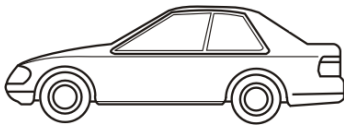
2.0 TDI quattro	11/2016 - 07/2018	100 kW	FT2041	↔			Fig2041
3.0 TDI quattro	07/2018 - 10/2019	210 kW	FT2041	↔			Fig2041
45 TFSI Mild Hybrid quattro	07/2018 -	180 kW	FT2041	↔			Fig2041
45 TDI quattro	07/2018 -	170 kW	FT2041	↔		Construction year from: 07/2019	Fig2041
50 TDI quattro	11/2019 -	210 kW	FT2041	↔			Fig2041

Q3 (8UB, 8UG)

RS 2.5 quattro	10/2013 - 10/2018	228 kW	FT2044	↔			Fig2044
RS performance 2.5 quattro	01/2015 - 10/2018	270 kW	FT2044	↔		Construction year from: 03/2016	Fig2044

Q5 (FYB)

2.0 TDI quattro	06/2016 - 08/2018	120 kW	FT2042	↔			Fig2042
2.0 TFSI quattro	01/2017 -	183 kW	FT2042	↔		Construction year to: 11/2020, Construction year to: 11/2020	Fig2042
2.0 TDI	01/2017 -	110 kW	FT2042	↔		Construction year to: 11/2020	Fig2042
SQ5 TFSI quattro	11/2016 -	260 kW	FT2042	↔			Fig2042



kW



Pic Nr

AUDI - continued

Q5 (FYB) - continued

2.0 TDI	01/2017 -	100 kW	FT2042	↔		Construction year to: 11/2020	Fig2042
3.0 TDI quattro	07/2017 -	210 kW	FT2042	↔		Construction year to: 11/2020	Fig2042
35 TDI quattro	08/2018 -	120 kW	FT2042	↔		Construction year to: 11/2020	Fig2042
40 TDI quattro	10/2018 -	140 kW	FT2042	↔			Fig2042
45 TFSI Mild Hybrid quattro	12/2018 -	180 kW	FT2042	↔			Fig2042
45 TDI quattro	08/2018 -	170 kW	FT2042	↔		Construction year to: 11/2020	Fig2042
SQ5 TDI Mild Hybrid quattro	02/2019 -	255 kW	FT2042	↔			Fig2042
50 TDI quattro	03/2019 -	210 kW	FT2042	↔		Construction year to: 11/2020	Fig2042
55 TFSI e quattro	08/2019 -	270 kW	FT2042	↔			Fig2042
35 TDI Mild Hybrid	11/2019 -	120 kW	FT2042	↔			Fig2042
40 TDI Mild Hybrid quattro	11/2019 -	150 kW	FT2042	↔			Fig2042
50 TFSI e quattro	04/2019 -	220 kW	FT2042	↔			Fig2042

BMW

1 (F20)

125 d	03/2012 - 06/2019	155 kW	FT2075	↔		Required quantity: 2	Fig2075
120 d	07/2011 - 06/2019	120 kW	FT2075	↔		Required quantity: 2	Fig2075
116 d	03/2012 - 02/2015	85 kW	FT2075	↔		Required quantity: 2	Fig2075
118 d	07/2011 - 02/2015	100 kW	FT2075	↔		Required quantity: 2	Fig2075
125 i	03/2012 - 11/2017	160 kW	FT2075	↔		Required quantity: 2	Fig2075
116 i	07/2011 - 02/2015	100 kW	FT2075	↔		Required quantity: 2	Fig2075
118 i	07/2011 - 02/2015	125 kW	FT2075	↔		Required quantity: 2	Fig2075
116 d	07/2011 - 02/2015	85 kW	FT2075	↔		Required quantity: 2	Fig2075
118 d	07/2011 - 02/2015	105 kW	FT2075	↔		Required quantity: 2	Fig2075
120 d	07/2011 - 02/2015	135 kW	FT2075	↔		Required quantity: 2	Fig2075
125 d	03/2012 - 02/2015	160 kW	FT2075	↔		Required quantity: 2	Fig2075
114 i	07/2012 - 02/2015	75 kW	FT2075	↔		Construction year from: 09/2012, Required quantity: 2	Fig2075
M 135 i	07/2012 - 02/2015	235 kW	FT2075	↔		Construction year from: 09/2012, Required quantity: 2	Fig2075
M 135 i xDrive	11/2012 - 02/2015	235 kW	FT2075	↔		Required quantity: 2	Fig2075
114 d	11/2012 - 06/2015	70 kW	FT2075	↔		Required quantity: 2	Fig2075
120 d xDrive	11/2012 - 02/2015	135 kW	FT2075	↔		Required quantity: 2	Fig2075
118 d xDrive	07/2013 - 02/2015	105 kW	FT2075	↔		Required quantity: 2	Fig2075
120 d xDrive	11/2012 - 02/2015	147 kW	FT2075	↔		Required quantity: 2	Fig2075
125 i	03/2012 - 11/2017	175 kW	FT2075	↔		Required quantity: 2	Fig2075
120 d	07/2011 - 02/2015	147 kW	FT2075	↔		Required quantity: 2	Fig2075
116 i	03/2015 - 06/2019	80 kW	FT2075	↔		Required quantity: 2	Fig2075
118 i	03/2015 - 06/2015	100 kW	FT2075	↔		Required quantity: 2	Fig2075
120 i	03/2015 - 06/2016	130 kW	FT2075	↔		Required quantity: 2	Fig2075
M 135 i	03/2015 - 06/2016	240 kW	FT2075	↔		Required quantity: 2	Fig2075
M 135 i xDrive	03/2015 - 06/2016	240 kW	FT2075	↔		Required quantity: 2	Fig2075
116 d	03/2015 - 06/2019	85 kW	FT2075	↔		Required quantity: 2	Fig2075
118 d	03/2015 - 06/2019	110 kW	FT2075	↔		Required quantity: 2	Fig2075
118 d xDrive	03/2015 - 06/2019	110 kW	FT2075	↔		Required quantity: 2	Fig2075
120 d	03/2015 - 06/2019	140 kW	FT2075	↔		Required quantity: 2	Fig2075
120 d xDrive	03/2015 - 06/2019	140 kW	FT2075	↔		Required quantity: 2	Fig2075
125 d	03/2015 - 06/2019	165 kW	FT2075	↔		Required quantity: 2	Fig2075
118 i	07/2015 - 06/2019	100 kW	FT2075	↔		Required quantity: 2	Fig2075



kW



Pic Nr

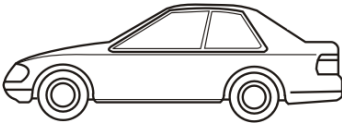
BMW - continued

1 (F20) - continued

125 i Active Flex	11/2014 - 11/2017	160 kW	FT2075	↔		Required quantity: 2	Fig2075
114 d	07/2015 - 06/2019	70 kW	FT2075	↔		Required quantity: 2	Fig2075
120 i	07/2016 - 06/2019	135 kW	FT2075	↔		Required quantity: 2	Fig2075
125 i	07/2016 - 06/2019	165 kW	FT2075	↔		Required quantity: 2	Fig2075
M 140 i	07/2016 - 06/2019	250 kW	FT2075	↔		Required quantity: 2	Fig2075
M 140 i xDrive	07/2016 - 06/2019	250 kW	FT2075	↔		Required quantity: 2	Fig2075

1 (F21)

118 d xDrive	05/2013 -	105 kW	FT2075	↔		Required quantity: 2	Fig2075
114 i	12/2011 -	75 kW	FT2075	↔		Construction year from: 09/2012, Required quantity: 2	Fig2075
116 i	12/2011 -	100 kW	FT2075	↔		Required quantity: 2	Fig2075
118 i	07/2012 -	125 kW	FT2075	↔		Required quantity: 2	Fig2075
125 i	12/2011 -	160 kW	FT2075	↔		Construction year from: 03/2012, Required quantity: 2	Fig2075
M 135 i	12/2011 -	235 kW	FT2075	↔		Construction year from: 09/2012, Required quantity: 2	Fig2075
114 d	07/2012 -	70 kW	FT2075	↔		Construction year from: 10/2012, Required quantity: 2	Fig2075
M 135 i xDrive	02/2012 -	235 kW	FT2075	↔		Construction year from: 07/2012, Required quantity: 2	Fig2075
116 d	12/2011 -	85 kW	FT2075	↔		Required quantity: 2, Required quantity: 2	Fig2075
118 d	12/2011 -	100 kW	FT2075	↔		Required quantity: 2, Required quantity: 2	Fig2075
120 d	07/2012 -	120 kW	FT2075	↔		Required quantity: 2, Required quantity: 2	Fig2075
120 d xDrive	02/2012 -	135 kW	FT2075	↔		Construction year from: 07/2012, Required quantity: 2	Fig2075
125 d	12/2011 -	155 kW	FT2075	↔		Construction year from: 03/2012, Required quantity: 2, Construction year from: 03/2012, Required quantity: 2	Fig2075
120 d xDrive	01/2012 -	147 kW	FT2075	↔		Construction year from: 07/2012, Required quantity: 2	Fig2075
125 i	03/2013 -	175 kW	FT2075	↔		Required quantity: 2	Fig2075
120 d	01/2012 -	147 kW	FT2075	↔		Required quantity: 2	Fig2075
116 i	03/2015 -	80 kW	FT2075	↔		Required quantity: 2	Fig2075
118 i	03/2015 -	100 kW	FT2075	↔		Required quantity: 2	Fig2075
120 i	03/2015 -	130 kW	FT2075	↔		Required quantity: 2	Fig2075
M 135 i	03/2015 -	240 kW	FT2075	↔		Required quantity: 2	Fig2075
M 135 i xDrive	03/2015 -	240 kW	FT2075	↔		Required quantity: 2	Fig2075
116 d	03/2015 -	85 kW	FT2075	↔		Required quantity: 2	Fig2075
118 d	03/2015 -	110 kW	FT2075	↔		Required quantity: 2	Fig2075
118 d xDrive	03/2015 -	110 kW	FT2075	↔		Required quantity: 2	Fig2075
120 d	03/2015 -	140 kW	FT2075	↔		Required quantity: 2	Fig2075
120 d xDrive	03/2015 -	140 kW	FT2075	↔		Required quantity: 2	Fig2075
125 d	03/2015 -	165 kW	FT2075	↔		Required quantity: 2	Fig2075
118 i	03/2015 -	100 kW	FT2075	↔		Required quantity: 2	Fig2075
114 d	06/2015 -	70 kW	FT2075	↔		Required quantity: 2	Fig2075
120 i	07/2016 -	135 kW	FT2075	↔		Required quantity: 2	Fig2075



kW



Pic Nr

BMW - continued

1 (F21) - continued

125 i	10/2015 -	165 kW	FT2075	↔		Required quantity: 2	Fig2075
M 140 i	10/2015 -	250 kW	FT2075	↔		Required quantity: 2	Fig2075
M 140 i xDrive	09/2015 -	250 kW	FT2075	↔		Required quantity: 2	Fig2075

1 Van (F20)

118 i	07/2015 - 06/2019	100 kW	FT2075	↔		Required quantity: 2	Fig2075
120 i	07/2016 - 06/2019	135 kW	FT2075	↔		Required quantity: 2	Fig2075
M 140 i	07/2016 - 06/2019	250 kW	FT2075	↔		Required quantity: 2	Fig2075
118 d	03/2015 - 06/2019	110 kW	FT2075	↔		Required quantity: 2	Fig2075
120 d	03/2015 - 06/2019	140 kW	FT2075	↔		Required quantity: 2	Fig2075

2 Convertible (F23)

220 i	04/2014 - 07/2016	135 kW	FT2075	↔		Construction year from: 11/2014, Required quantity: 2	Fig2075
228 i	11/2014 -	180 kW	FT2075	↔		Required quantity: 2	Fig2075
M 235 i	11/2014 -	240 kW	FT2075	↔		Required quantity: 2	Fig2075
220 d	03/2014 -	140 kW	FT2075	↔		Construction year from: 11/2014, Required quantity: 2	Fig2075
218 i	03/2015 -	100 kW	FT2075	↔		Required quantity: 2	Fig2075
218 d	07/2015 -	110 kW	FT2075	↔		Required quantity: 2	Fig2075
225 d	07/2015 -	165 kW	FT2075	↔		Required quantity: 2	Fig2075
M 235 i xDrive	07/2015 -	240 kW	FT2075	↔		Required quantity: 2	Fig2075
220 d	03/2014 -	120 kW	FT2075	↔		Construction year from: 07/2015, Required quantity: 2	Fig2075
218 d	07/2015 -	100 kW	FT2075	↔		Required quantity: 2	Fig2075
220 i	09/2015 -	135 kW	FT2075	↔		Required quantity: 2	Fig2075
230 i	09/2015 -	185 kW	FT2075	↔		Required quantity: 2	Fig2075
M 240 i	09/2015 -	250 kW	FT2075	↔		Required quantity: 2	Fig2075
M 240 i xDrive	09/2015 -	250 kW	FT2075	↔		Required quantity: 2	Fig2075
225 i	10/2017 -	135 kW	FT2075	↔		Required quantity: 2	Fig2075

2 Coupe (F22, F87)

220 d	10/2012 - 11/2014	135 kW	FT2075	↔		Construction year from: 10/2013, Required quantity: 2	Fig2075
220 i	10/2013 -	135 kW	FT2075	↔		Required quantity: 2	Fig2075
M 235 i	10/2013 -	240 kW	FT2075	↔		Required quantity: 2	Fig2075
218 d	03/2014 - 06/2015	105 kW	FT2075	↔		Required quantity: 2	Fig2075
225 d	01/2014 -	160 kW	FT2075	↔		Required quantity: 2	Fig2075
220 d	10/2012 - 11/2014	147 kW	FT2075	↔		Construction year from: 10/2013, Required quantity: 2	Fig2075
M 235 i xDrive	07/2014 -	240 kW	FT2075	↔		Required quantity: 2	Fig2075
228 i	07/2014 -	180 kW	FT2075	↔		Required quantity: 2	Fig2075
220 d	03/2014 -	140 kW	FT2075	↔		Construction year from: 11/2014, Required quantity: 2	Fig2075
218 i	03/2015 -	100 kW	FT2075	↔		Required quantity: 2	Fig2075
220 d xDrive	06/2014 -	140 kW	FT2075	↔		Construction year from: 03/2015, Required quantity: 2	Fig2075
218 d	07/2015 -	110 kW	FT2075	↔		Required quantity: 2	Fig2075
225 d	07/2015 -	165 kW	FT2075	↔		Required quantity: 2	Fig2075
218 d	03/2014 -	100 kW	FT2075	↔		Required quantity: 2	Fig2075
220 d	11/2014 -	120 kW	FT2075	↔		Required quantity: 2	Fig2075
220 d xDrive	03/2015 -	120 kW	FT2075	↔		Required quantity: 2	Fig2075



kW



Pic
Nr

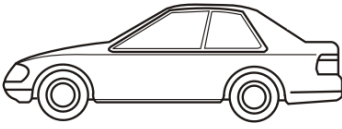
BMW - continued

2 Coupe (F22, F87) - continued

M2	11/2015 - 06/2018	272 kW	FT2074	↔			Fig2074
			FT2092	↔			Fig2092
220 i	09/2015 -	135 kW	FT2075	↔		Required quantity: 2	Fig2075
230 i	09/2015 -	185 kW	FT2075	↔		Required quantity: 2	Fig2075
M 240 i	09/2015 -	250 kW	FT2075	↔		Required quantity: 2	Fig2075
M 240 i xDrive	09/2015 -	250 kW	FT2075	↔		Required quantity: 2	Fig2075
225 i	10/2017 -	135 kW	FT2075	↔		Required quantity: 2	Fig2075
M2 Competition	06/2018 -	302 kW	FT2074	↔			Fig2074
			FT2092	↔			Fig2092
M2 CS	11/2019 -	331 kW	FT2074	↔			Fig2074
			FT2092	↔			Fig2092

3 (F30, F80)

328 i	04/2011 - 10/2018	180 kW	FT2075	↔		Construction year from: 02/2012, Required quantity: 2	Fig2075
335 i	11/2011 - 07/2015	225 kW	FT2075	↔		Construction year from: 02/2012, Required quantity: 2	Fig2075
320 d	11/2011 - 03/2016	135 kW	FT2075	↔		Construction year from: 02/2012, Required quantity: 2, Construction year from: 02/2012, Required quantity: 2	Fig2075
320 i	03/2012 - 10/2018	135 kW	FT2075	↔		Required quantity: 2	Fig2075
316 d	03/2012 - 10/2018	85 kW	FT2075	↔		Required quantity: 2	Fig2075
318 d	03/2012 - 06/2015	105 kW	FT2075	↔		Required quantity: 2	Fig2075
335 d xDrive	07/2013 - 10/2018	230 kW	FT2075	↔		Required quantity: 2	Fig2075
318 d	03/2012 - 10/2018	100 kW	FT2075	↔		Required quantity: 2	Fig2075
320 d xDrive	08/2012 - 10/2018	120 kW	FT2075	↔		Required quantity: 2	Fig2075
320 i xDrive	07/2012 - 10/2018	135 kW	FT2075	↔		Required quantity: 2	Fig2075
320 d xDrive	08/2012 - 06/2015	135 kW	FT2075	↔		Required quantity: 2	Fig2075
328 i xDrive	07/2012 - 08/2016	180 kW	FT2075	↔		Required quantity: 2	Fig2075
335 i xDrive	07/2012 - 07/2015	225 kW	FT2075	↔		Required quantity: 2	Fig2075
316 i	07/2012 - 08/2016	100 kW	FT2075	↔		Construction year from: 11/2012, Required quantity: 2	Fig2075
ActiveHybrid	07/2012 - 06/2015	250 kW	FT2075	↔		Required quantity: 2, Required quantity: 2	Fig2075
330 d	07/2012 - 10/2018	190 kW	FT2075	↔		Required quantity: 2	Fig2075
330 d xDrive	03/2013 - 10/2018	190 kW	FT2075	↔		Required quantity: 2	Fig2075
325 d	03/2013 - 02/2016	160 kW	FT2075	↔		Construction year from: 04/2013, Required quantity: 2	Fig2075
320 i	11/2012 - 06/2016	125 kW	FT2075	↔		Required quantity: 2	Fig2075
318 d xDrive	07/2013 - 06/2015	105 kW	FT2075	↔		Required quantity: 2	Fig2075
M3	03/2014 - 10/2018	317 kW	FT2074	↔		Construction year to: 06/2015	Fig2074
			FT2092	↔		Construction year to: 06/2015	Fig2092
320 d xDrive	08/2012 - 06/2015	147 kW	FT2075	↔		Required quantity: 2	Fig2075
320 d	11/2011 - 03/2016	147 kW	FT2075	↔		Construction year from: 02/2012, Required quantity: 2	Fig2075
335 i	11/2011 - 06/2013	240 kW	FT2075	↔		Construction year from: 02/2012, Required quantity: 2	Fig2075
335 i xDrive	07/2012 - 06/2013	240 kW	FT2075	↔		Required quantity: 2	Fig2075
335 i	07/2013 - 07/2015	250 kW	FT2075	↔		Required quantity: 2	Fig2075
335 i xDrive	07/2013 - 07/2015	250 kW	FT2075	↔		Required quantity: 2	Fig2075



kW



Pic Nr

BMW - continued

3 (F30, F80) - continued

318 i	07/2015 - 10/2018	100 kW	FT2075	↔		Required quantity: 2	Fig2075
330 i	07/2015 - 10/2018	185 kW	FT2075	↔		Required quantity: 2	Fig2075
330 i xDrive	07/2015 - 10/2018	185 kW	FT2075	↔		Required quantity: 2	Fig2075
340 i	07/2015 - 10/2018	240 kW	FT2075	↔		Required quantity: 2	Fig2075
340 i xDrive	07/2015 - 10/2018	240 kW	FT2075	↔		Required quantity: 2	Fig2075
318 d	07/2015 - 10/2018	110 kW	FT2075	↔		Required quantity: 2	Fig2075
318 d xDrive	07/2015 - 02/2018	110 kW	FT2075	↔		Required quantity: 2	Fig2075
320 d	07/2015 - 10/2018	140 kW	FT2075	↔		Required quantity: 2	Fig2075
320 d xDrive	07/2015 - 10/2018	140 kW	FT2075	↔		Required quantity: 2	Fig2075
320 i	07/2015 - 10/2018	135 kW	FT2075	↔		Required quantity: 2	Fig2075
320 i xDrive	07/2015 - 10/2018	135 kW	FT2075	↔		Required quantity: 2	Fig2075
325 d	03/2013 - 02/2016	155 kW	FT2075	↔		Construction year from: 04/2013, Required quantity: 2	Fig2075
330 d	07/2012 - 10/2018	210 kW	FT2075	↔		Construction year from: 09/2015, Required quantity: 2	Fig2075
330 d xDrive	03/2013 - 10/2018	210 kW	FT2075	↔		Construction year from: 09/2015, Required quantity: 2	Fig2075
330 e	11/2015 - 10/2018	185 kW	FT2075	↔		Construction year from: 01/2016, Required quantity: 2, Construction year from: 01/2016, Required quantity: 2	Fig2075
340 i xDrive	07/2015 - 10/2018	265 kW	FT2075	↔		Required quantity: 2	Fig2075
340 i	07/2015 - 10/2018	265 kW	FT2075	↔		Required quantity: 2	Fig2075
325 d	03/2016 - 02/2018	165 kW	FT2075	↔		Required quantity: 2	Fig2075
M3 Competition	03/2016 - 10/2018	331 kW	FT2074	↔			Fig2074
			FT2092	↔			Fig2092
M3 CS	01/2018 - 10/2018	338 kW	FT2074	↔			Fig2074
			FT2092	↔			Fig2092
328i	11/2011 - 06/2015	160 kW	FT2075	↔		Construction year from: 02/2012, Required quantity: 2	Fig2075

3 (G20)

330 i	11/2018 -	190 kW	FT2082	↔			Fig2082
			FT2090	↔			Fig2090
320 d	11/2018 -	140 kW	FT2082	↔		Construction year to: 02/2020	Fig2082
			FT2090	↔		Construction year to: 02/2020	Fig2090
320 d xDrive	11/2018 -	140 kW	FT2082	↔			Fig2082
			FT2090	↔			Fig2090
320 d	11/2018 -	120 kW	FT2082	↔		Construction year to: 02/2020	Fig2082
			FT2090	↔		Construction year to: 02/2020	Fig2090
320 d xDrive	11/2018 -	120 kW	FT2082	↔			Fig2082
			FT2090	↔			Fig2090
M 340 i xDrive	07/2019 -	275 kW	FT2082	↔			Fig2082
			FT2090	↔			Fig2090
330 e	07/2019 -	135 kW	FT2082	↔			Fig2082
			FT2090	↔			Fig2090
330 e	07/2019 -	185 kW	FT2082	↔			Fig2082
			FT2090	↔			Fig2090
320 i	03/2019 -	135 kW	FT2082	↔			Fig2082
			FT2090	↔			Fig2090
318 d	03/2019 -	110 kW	FT2082	↔		Construction year to: 03/2020	Fig2082



kW



Pic
Nr

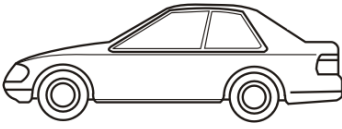
BMW - continued

3 (G20) - continued

318 d		03/2019 -	110 kW - continued			
			FT2090	↔		Construction year to: 03/2020 Fig2090
318 d	03/2019 -	100 kW	FT2082	↔		Construction year to: 03/2020 Fig2082
			FT2090	↔		Construction year to: 03/2020 Fig2090
330 d	03/2019 -	195 kW	FT2082	↔		Fig2082
			FT2090	↔		Fig2090
320 i 1.6	03/2019 -	125 kW	FT2082	↔		Fig2082
			FT2090	↔		Fig2090
320 i xDrive	07/2019 -	135 kW	FT2082	↔		Fig2082
			FT2090	↔		Fig2090
330 i xDrive	11/2018 -	190 kW	FT2082	↔		Fig2082
			FT2090	↔		Fig2090
330 d xDrive	07/2019 -	195 kW	FT2082	↔		Fig2082
			FT2090	↔		Fig2090
M 340 i xDrive	03/2019 -	285 kW	FT2082	↔		Fig2082
			FT2090	↔		Fig2090
320 d Mild-Hybrid	03/2020 -	120 kW	FT2082	↔		Fig2082
			FT2090	↔		Fig2090
320 d Mild-Hybrid	03/2020 -	140 kW	FT2082	↔		Fig2082
			FT2090	↔		Fig2090
320 d Mild-Hybrid xDrive	03/2020 -	120 kW	FT2082	↔		Fig2082
			FT2090	↔		Fig2090
320 d Mild-Hybrid xDrive	03/2020 -	140 kW	FT2082	↔		Fig2082
			FT2090	↔		Fig2090
318 i	03/2020 -	115 kW	FT2082	↔		Fig2082
			FT2090	↔		Fig2090

3 Gran Turismo (F34)

325 d	07/2013 -	155 kW	FT2075	↔		Required quantity: 2 Fig2075
320 d	03/2013 -	120 kW	FT2075	↔		Required quantity: 2 Fig2075
320 i	03/2013 - 06/2016	135 kW	FT2075	↔		Required quantity: 2 Fig2075
328 i	08/2012 - 02/2015	180 kW	FT2075	↔		Required quantity: 2 Fig2075
335 i	03/2013 -	225 kW	FT2075	↔		Required quantity: 2 Fig2075
318 d	03/2013 -	105 kW	FT2075	↔		Required quantity: 2 Fig2075
320 d	03/2013 - 07/2015	135 kW	FT2075	↔		Required quantity: 2 Fig2075
320 i xDrive	11/2012 - 06/2016	135 kW	FT2074	↔		Construction year from: 07/2013 Fig2074
			FT2075	↔		Construction year from: 03/2013, Left-/right-hand drive vehicles: for right-hand drive vehicles, Required quantity: 2 Fig2075
328 i xDrive	03/2013 - 07/2016	180 kW	FT2074	↔		Fig2074
			FT2075	↔		Left-/right-hand drive vehicles: for right-hand drive vehicles, Required quantity: 2 Fig2075
335 i xDrive	03/2013 -	225 kW	FT2074	↔		Fig2074
			FT2075	↔		Left-/right-hand drive vehicles: for right-hand drive vehicles, Required quantity: 2 Fig2075
320 d xDrive	03/2013 - 07/2015	135 kW	FT2074	↔		Fig2074



kW

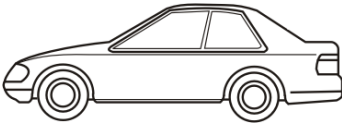


Pic
Nr

BMW - continued

3 Gran Turismo (F34) - continued

320 d xDrive		03/2013 - 07/2015	135 kW	- continued			
			FT2075			Left-/right-hand drive vehicles: for right-hand drive vehicles, Required quantity: 2	Fig2075
325 d	03/2013 -	160 kW	FT2075			Required quantity: 2	Fig2075
330 d xDrive	01/2014 -	190 kW	FT2075			Left-/right-hand drive vehicles: for right-hand drive vehicles, Required quantity: 2	Fig2075
330 d	01/2014 -	190 kW	FT2075			Required quantity: 2	Fig2075
335 d xDrive	01/2014 -	230 kW	FT2075			Left-/right-hand drive vehicles: for right-hand drive vehicles, Required quantity: 2	Fig2075
320 d xDrive	05/2013 - 07/2015	147 kW	FT2074				Fig2074
			FT2075			Left-/right-hand drive vehicles: for right-hand drive vehicles, Required quantity: 2	Fig2075
335 i	03/2013 - 03/2014	240 kW	FT2075			Required quantity: 2	Fig2075
335 i xDrive	03/2013 - 03/2014	240 kW	FT2074				Fig2074
			FT2075			Left-/right-hand drive vehicles: for right-hand drive vehicles, Required quantity: 2	Fig2075
335 i	07/2013 -	250 kW	FT2075			Required quantity: 2	Fig2075
335 i xDrive	03/2014 -	250 kW	FT2074				Fig2074
			FT2075			Left-/right-hand drive vehicles: for right-hand drive vehicles, Required quantity: 2	Fig2075
320 d	05/2013 - 07/2015	147 kW	FT2075			Required quantity: 2	Fig2075
318 d	07/2015 -	110 kW	FT2075			Required quantity: 2	Fig2075
320 d	07/2015 -	140 kW	FT2075			Required quantity: 2	Fig2075
320 d xDrive	07/2015 -	140 kW	FT2075			Left-/right-hand drive vehicles: for right-hand drive vehicles, Required quantity: 2	Fig2075
320 i	07/2012 - 06/2016	120 kW	FT2075			Required quantity: 2	Fig2075
320 i xDrive	11/2012 - 06/2016	120 kW	FT2074				Fig2074
			FT2075			Left-/right-hand drive vehicles: for right-hand drive vehicles, Required quantity: 2	Fig2075
318 d	03/2013 -	100 kW	FT2075			Required quantity: 2	Fig2075
320 d xDrive	03/2013 -	120 kW	FT2074				Fig2074
			FT2075			Left-/right-hand drive vehicles: for right-hand drive vehicles, Required quantity: 2	Fig2075
330 d	01/2014 -	210 kW	FT2075			Construction year from: 09/2015, Required quantity: 2	Fig2075
330 d xDrive	01/2014 -	210 kW	FT2075			Construction year from: 09/2015, Left-/right-hand drive vehicles: for right-hand drive vehicles, Required quantity: 2	Fig2075
330 i	10/2015 -	185 kW	FT2075			Required quantity: 2	Fig2075



kW



Pic
Nr

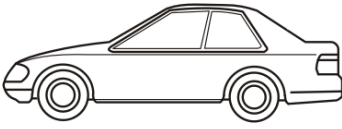
BMW - continued

3 Gran Turismo (F34) - continued

330 i xDrive	10/2015 -	185 kW	FT2075	↔		Left-/right-hand drive vehicles: for right-hand drive vehicles, Required quantity: 2	Fig2075
340 i	10/2015 -	240 kW	FT2075	↔		Required quantity: 2	Fig2075
340 i xDrive	10/2015 -	240 kW	FT2075	↔		Left-/right-hand drive vehicles: for right-hand drive vehicles, Required quantity: 2	Fig2075
320 i	06/2016 -	135 kW	FT2075	↔		Required quantity: 2	Fig2075
320 i xDrive	06/2016 -	135 kW	FT2075	↔		Left-/right-hand drive vehicles: for right-hand drive vehicles, Required quantity: 2	Fig2075
325 d	07/2016 -	165 kW	FT2075	↔		Required quantity: 2	Fig2075
340 i	09/2015 -	265 kW	FT2075	↔		Required quantity: 2	Fig2075
340 i xDrive	09/2015 -	265 kW	FT2075	↔		Left-/right-hand drive vehicles: for right-hand drive vehicles, Required quantity: 2	Fig2075
320 i	06/2016 -	120 kW	FT2075	↔		Required quantity: 2	Fig2075
320 i xDrive	06/2016 -	120 kW	FT2075	↔		Left-/right-hand drive vehicles: for right-hand drive vehicles, Required quantity: 2	Fig2075
330 i xDrive	07/2016 -	183 kW	FT2075	↔		Left-/right-hand drive vehicles: for right-hand drive vehicles, Required quantity: 2	Fig2075

3 Touring (F31)

320 i	11/2012 - 06/2015	135 kW	FT2075	↔		Required quantity: 2	Fig2075
328 i	07/2012 - 06/2015	180 kW	FT2075	↔		Required quantity: 2	Fig2075
316 d	11/2012 - 06/2019	85 kW	FT2075	↔		Required quantity: 2	Fig2075
318 d	11/2012 - 06/2015	105 kW	FT2075	↔		Required quantity: 2	Fig2075
320 d	07/2012 - 02/2016	135 kW	FT2075	↔		Required quantity: 2	Fig2075
330 d	07/2012 - 06/2019	190 kW	FT2075	↔		Required quantity: 2	Fig2075
320 d	07/2012 - 06/2019	120 kW	FT2075	↔		Required quantity: 2	Fig2075
325 d	03/2013 - 02/2016	160 kW	FT2075	↔		Construction year from: 04/2013, Required quantity: 2	Fig2075
335 i xDrive	03/2013 - 06/2015	225 kW	FT2075	↔		Required quantity: 2	Fig2075
335 i	03/2013 - 06/2015	225 kW	FT2075	↔		Required quantity: 2	Fig2075
328 i xDrive	03/2013 - 06/2016	180 kW	FT2075	↔		Required quantity: 2	Fig2075
320 i xDrive	03/2013 - 06/2015	135 kW	FT2075	↔		Required quantity: 2	Fig2075
330 d xDrive	03/2013 - 06/2019	190 kW	FT2075	↔		Required quantity: 2	Fig2075
320 d xDrive	03/2013 - 06/2015	135 kW	FT2075	↔		Required quantity: 2	Fig2075
316 i	03/2013 - 06/2015	100 kW	FT2075	↔		Required quantity: 2	Fig2075
318 d xDrive	07/2013 - 06/2015	105 kW	FT2075	↔		Required quantity: 2	Fig2075
335 d xDrive	11/2013 - 06/2019	230 kW	FT2075	↔		Required quantity: 2	Fig2075
320 d xDrive	03/2013 - 06/2015	147 kW	FT2075	↔		Required quantity: 2	Fig2075
320 d	07/2012 - 02/2016	147 kW	FT2075	↔		Required quantity: 2	Fig2075
335 i	03/2013 - 06/2013	240 kW	FT2075	↔		Required quantity: 2	Fig2075
335 i xDrive	03/2013 - 06/2013	240 kW	FT2075	↔		Required quantity: 2	Fig2075
335 i	07/2013 - 06/2015	250 kW	FT2075	↔		Required quantity: 2	Fig2075
335 i xDrive	07/2013 - 06/2015	250 kW	FT2075	↔		Required quantity: 2	Fig2075
318 i	07/2015 - 06/2019	100 kW	FT2075	↔		Required quantity: 2	Fig2075



kW



Pic Nr

BMW - continued

3 Touring (F31) - continued

330 i	07/2015 - 06/2019	185 kW	FT2075	↔		Required quantity: 2	Fig2075
330 i xDrive	07/2015 - 06/2019	185 kW	FT2075	↔		Required quantity: 2	Fig2075
340 i	07/2015 - 06/2019	240 kW	FT2075	↔		Required quantity: 2	Fig2075
340 i xDrive	07/2015 - 06/2019	240 kW	FT2075	↔		Required quantity: 2	Fig2075
318 d	07/2015 - 06/2019	110 kW	FT2075	↔		Required quantity: 2	Fig2075
318 d xDrive	07/2015 - 02/2018	110 kW	FT2075	↔		Required quantity: 2	Fig2075
320 d	07/2015 - 06/2019	140 kW	FT2075	↔		Required quantity: 2	Fig2075
320 d xDrive	07/2015 - 06/2019	140 kW	FT2075	↔		Required quantity: 2	Fig2075
320 i	07/2015 - 06/2019	135 kW	FT2075	↔		Required quantity: 2	Fig2075
320 i xDrive	07/2015 - 06/2019	135 kW	FT2075	↔		Required quantity: 2	Fig2075
325 d	03/2013 - 02/2016	155 kW	FT2075	↔		Construction year from: 04/2013, Required quantity: 2	Fig2075
320 d xDrive	03/2013 - 06/2019	120 kW	FT2075	↔		Required quantity: 2	Fig2075
318 d	11/2012 - 06/2019	100 kW	FT2075	↔		Required quantity: 2	Fig2075
330 d	07/2012 - 06/2019	210 kW	FT2075	↔		Construction year from: 09/2015, Required quantity: 2	Fig2075
330 d xDrive	03/2013 - 06/2019	210 kW	FT2075	↔		Construction year from: 09/2015, Required quantity: 2	Fig2075
340 i	07/2015 - 06/2019	265 kW	FT2075	↔		Required quantity: 2	Fig2075
340 i xDrive	07/2015 - 06/2019	265 kW	FT2075	↔		Required quantity: 2	Fig2075
325 d	03/2016 - 02/2018	165 kW	FT2075	↔		Required quantity: 2	Fig2075
320 i	11/2012 - 06/2015	120 kW	FT2075	↔		Required quantity: 2	Fig2075
320 i xDrive	03/2013 - 06/2015	120 kW	FT2075	↔		Required quantity: 2	Fig2075

3 Touring (G21)

320 i	11/2019 -	135 kW	FT2082	↔			Fig2082
			FT2090	↔			Fig2090
330 i	07/2019 -	190 kW	FT2082	↔			Fig2082
			FT2090	↔			Fig2090
330 i xDrive	07/2019 -	190 kW	FT2082	↔			Fig2082
			FT2090	↔			Fig2090
M 340 i xDrive	11/2019 -	275 kW	FT2082	↔			Fig2082
			FT2090	↔			Fig2090
318 d	11/2019 -	100 kW	FT2082	↔		Construction year to: 07/2020	Fig2082
			FT2090	↔		Construction year to: 07/2020	Fig2090
318 d	11/2019 -	110 kW	FT2082	↔		Construction year to: 07/2020	Fig2082
			FT2090	↔		Construction year to: 07/2020	Fig2090
320 d	07/2019 -	120 kW	FT2082	↔		Construction year to: 02/2020	Fig2082
			FT2090	↔		Construction year to: 02/2020	Fig2090
320 d	07/2019 -	140 kW	FT2082	↔		Construction year to: 02/2020	Fig2082
			FT2090	↔		Construction year to: 02/2020	Fig2090
320 d xDrive	07/2019 -	120 kW	FT2082	↔			Fig2082
			FT2090	↔			Fig2090
320 d xDrive	07/2019 -	140 kW	FT2082	↔			Fig2082
			FT2090	↔			Fig2090
330 d xDrive	07/2019 -	195 kW	FT2082	↔			Fig2082
			FT2090	↔			Fig2090
330 e	07/2020 -	135 kW	FT2082	↔			Fig2082
			FT2090	↔			Fig2090
330 e	07/2020 -	185 kW	FT2082	↔			Fig2082



kW



Pic Nr

BMW - continued

3 Touring (G21) - continued

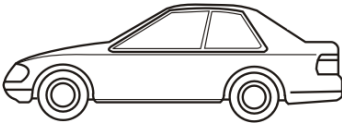
330 e	07/2020 -	185 kW	- continued				
				FT2090	↔		Fig2090
330 d	11/2019 -	195 kW		FT2082	↔		Fig2082
				FT2090	↔		Fig2090
320 d Mild-Hybrid	03/2020 -	120 kW		FT2082	↔		Fig2082
				FT2090	↔		Fig2090
320 d Mild-Hybrid	03/2020 -	140 kW		FT2082	↔		Fig2082
				FT2090	↔		Fig2090
320 d Mild-Hybrid xDrive	03/2020 -	120 kW		FT2082	↔		Fig2082
				FT2090	↔		Fig2090
320 d Mild-Hybrid xDrive	03/2020 -	140 kW		FT2082	↔		Fig2082
				FT2090	↔		Fig2090
318 i	03/2020 -	115 kW		FT2082	↔		Fig2082
				FT2090	↔		Fig2090

3 Touring Van (F31)

330 i	07/2015 - 06/2019	185 kW	FT2075	↔		Required quantity: 2	Fig2075
340 i	07/2015 - 06/2019	240 kW	FT2075	↔		Required quantity: 2	Fig2075
330 d	07/2012 - 06/2019	190 kW	FT2075	↔		Required quantity: 2	Fig2075
330 d xDrive	03/2013 - 06/2019	190 kW	FT2075	↔		Required quantity: 2	Fig2075

4 Convertible (F33, F83)

435 i	11/2013 - 02/2016	225 kW	FT2075	↔		Required quantity: 2	Fig2075
420 d	10/2013 - 06/2015	135 kW	FT2075	↔		Required quantity: 2	Fig2075
428 i	11/2013 - 02/2017	180 kW	FT2075	↔		Required quantity: 2	Fig2075
428 i xDrive	03/2014 - 02/2016	180 kW	FT2075	↔		Required quantity: 2	Fig2075
M4	07/2014 -	317 kW	FT2074	↔			Fig2074
			FT2092	↔			Fig2092
420 i	07/2014 - 02/2016	135 kW	FT2075	↔		Required quantity: 2	Fig2075
435 i xDrive	07/2014 - 02/2016	225 kW	FT2075	↔		Required quantity: 2	Fig2075
425 d	07/2014 - 02/2016	160 kW	FT2075	↔		Required quantity: 2	Fig2075
430 d	07/2014 -	190 kW	FT2075	↔		Required quantity: 2	Fig2075
435 d xDrive	07/2014 -	230 kW	FT2075	↔		Required quantity: 2	Fig2075
430 d	07/2014 -	210 kW	FT2075	↔		Required quantity: 2	Fig2075
435 i xDrive	07/2014 - 02/2016	250 kW	FT2075	↔		Required quantity: 2	Fig2075
435 i	11/2013 - 02/2016	250 kW	FT2075	↔		Required quantity: 2	Fig2075
420 d	10/2013 - 06/2015	147 kW	FT2075	↔		Required quantity: 2, Required quantity: 2	Fig2075
420 i	07/2014 - 02/2016	120 kW	FT2075	↔		Required quantity: 2	Fig2075
425 d	07/2014 - 02/2016	155 kW	FT2075	↔		Required quantity: 2	Fig2075
420 d	11/2013 -	120 kW	FT2075	↔		Required quantity: 2	Fig2075
430 i	03/2016 -	185 kW	FT2075	↔		Required quantity: 2	Fig2075
430 i xDrive	03/2016 -	185 kW	FT2075	↔		Required quantity: 2	Fig2075
440 i	03/2016 -	240 kW	FT2075	↔		Required quantity: 2	Fig2075
440 i xDrive	03/2016 -	240 kW	FT2075	↔		Required quantity: 2	Fig2075
425 d	03/2016 - 02/2018	165 kW	FT2075	↔		Required quantity: 2	Fig2075
M4 Competition	03/2016 -	331 kW	FT2074	↔			Fig2074
			FT2092	↔			Fig2092
420 i	03/2016 -	135 kW	FT2075	↔		Required quantity: 2	Fig2075
440 i	03/2016 -	265 kW	FT2075	↔		Required quantity: 2	Fig2075
440 i xDrive	03/2016 -	265 kW	FT2075	↔		Required quantity: 2	Fig2075



kW



Pic Nr

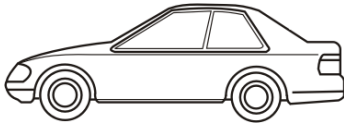
BMW - continued

4 Convertible (F33, F83) - continued

420 i	03/2016 -	120 kW	FT2075	↔		Required quantity: 2	Fig2075
425 i	06/2017 -	135 kW	FT2075	↔		Required quantity: 2	Fig2075

4 Coupe (F32, F82)

420 i	11/2013 - 02/2017	135 kW	FT2075	↔		Required quantity: 2	Fig2075
435 d xDrive	11/2013 -	230 kW	FT2075	↔		Required quantity: 2	Fig2075
420 d xDrive	11/2013 - 02/2015	135 kW	FT2075	↔		Required quantity: 2	Fig2075
430 d	11/2013 -	190 kW	FT2075	↔		Required quantity: 2	Fig2075
420 i xDrive	11/2013 - 02/2016	135 kW	FT2075	↔		Required quantity: 2	Fig2075
428 i	07/2013 - 02/2017	180 kW	FT2075	↔		Required quantity: 2	Fig2075
428 i xDrive	07/2013 - 02/2016	180 kW	FT2075	↔		Required quantity: 2	Fig2075
435 i	07/2013 - 02/2016	225 kW	FT2075	↔		Required quantity: 2	Fig2075
435 i xDrive	07/2013 - 02/2016	225 kW	FT2075	↔		Required quantity: 2	Fig2075
420 d	07/2013 - 02/2015	135 kW	FT2075	↔		Required quantity: 2	Fig2075
430 d xDrive	03/2014 -	190 kW	FT2075	↔		Required quantity: 2	Fig2075
425 d	03/2014 - 02/2016	160 kW	FT2075	↔		Required quantity: 2	Fig2075
M4	03/2014 -	317 kW	FT2074	↔			Fig2074
			FT2092	↔			Fig2092
435 i	07/2013 - 02/2016	250 kW	FT2075	↔		Required quantity: 2	Fig2075
435 i xDrive	07/2013 - 02/2016	250 kW	FT2075	↔		Required quantity: 2	Fig2075
430 d	11/2013 -	210 kW	FT2075	↔		Required quantity: 2	Fig2075
430 d xDrive	03/2014 -	210 kW	FT2075	↔		Required quantity: 2	Fig2075
418 d	03/2015 - 10/2017	110 kW	FT2075	↔		Required quantity: 2	Fig2075
420 d	03/2015 -	140 kW	FT2075	↔		Required quantity: 2	Fig2075
420 d xDrive	03/2015 -	140 kW	FT2075	↔		Required quantity: 2	Fig2075
420 i	11/2013 - 02/2017	120 kW	FT2075	↔		Required quantity: 2	Fig2075
420 i xDrive	11/2013 - 02/2016	120 kW	FT2075	↔		Required quantity: 2	Fig2075
418 d	03/2015 - 10/2017	100 kW	FT2075	↔		Required quantity: 2	Fig2075
420 d	07/2013 -	120 kW	FT2075	↔		Required quantity: 2	Fig2075
420 d xDrive	11/2013 -	120 kW	FT2075	↔		Required quantity: 2	Fig2075
425 d	03/2014 - 02/2016	155 kW	FT2075	↔		Required quantity: 2	Fig2075
420 d	07/2013 - 03/2015	147 kW	FT2075	↔		Required quantity: 2	Fig2075
420 d xDrive	11/2013 - 03/2015	147 kW	FT2075	↔		Required quantity: 2	Fig2075
430 i	03/2016 -	185 kW	FT2075	↔		Required quantity: 2	Fig2075
430 i xDrive	03/2016 -	185 kW	FT2075	↔		Required quantity: 2	Fig2075
440 i	03/2016 -	240 kW	FT2075	↔		Required quantity: 2	Fig2075
440 i xDrive	03/2016 -	240 kW	FT2075	↔		Required quantity: 2	Fig2075
425 d	03/2016 - 10/2017	165 kW	FT2075	↔		Required quantity: 2	Fig2075
M4 Competition	03/2016 -	331 kW	FT2074	↔			Fig2074
			FT2092	↔			Fig2092
M4 GTS	03/2016 - 02/2017	368 kW	FT2092	↔			Fig2092
420 i	03/2016 -	135 kW	FT2075	↔		Required quantity: 2	Fig2075
420 i xDrive	03/2016 -	135 kW	FT2075	↔		Required quantity: 2	Fig2075
418 i	03/2016 -	100 kW	FT2075	↔		Required quantity: 2	Fig2075
440 i xDrive	03/2016 -	265 kW	FT2075	↔		Required quantity: 2	Fig2075
440 i	03/2016 -	265 kW	FT2075	↔		Required quantity: 2	Fig2075
M4 CS	07/2017 - 06/2019	338 kW	FT2074	↔			Fig2074
			FT2092	↔			Fig2092
420 i	03/2016 -	120 kW	FT2075	↔		Required quantity: 2	Fig2075
420 i xDrive	03/2016 -	120 kW	FT2075	↔		Required quantity: 2	Fig2075



kW



Pic
Nr

BMW - continued

4 Coupe (F32, F82) - continued

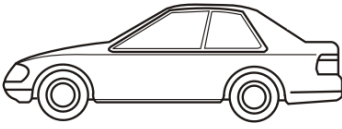
425 i	06/2017 -	135 kW	FT2075			Required quantity: 2	Fig2075
430 i	03/2016 -	183 kW	FT2075			Required quantity: 2	Fig2075
430 i xDrive	03/2016 -	183 kW	FT2075			Required quantity: 2	Fig2075

4 Gran Coupe (F36)

418 d	03/2014 - 06/2015	105 kW	FT2075			Required quantity: 2	Fig2075
435 i	03/2014 - 02/2016	225 kW	FT2075			Required quantity: 2	Fig2075
420 d	03/2014 - 02/2015	135 kW	FT2075			Required quantity: 2	Fig2075
420 d xDrive	03/2014 - 02/2015	135 kW	FT2075			Required quantity: 2	Fig2075
420 i	03/2014 - 02/2017	135 kW	FT2075			Required quantity: 2	Fig2075
428 i	03/2014 - 06/2016	180 kW	FT2075			Required quantity: 2	Fig2075
428 i xDrive	03/2014 - 02/2016	180 kW	FT2075			Required quantity: 2	Fig2075
420 i xDrive	07/2014 - 02/2016	135 kW	FT2075			Required quantity: 2	Fig2075
435 i xDrive	07/2014 - 02/2016	225 kW	FT2075			Required quantity: 2	Fig2075
430 d	07/2014 -	190 kW	FT2075			Required quantity: 2	Fig2075
430 d xDrive	07/2014 -	190 kW	FT2075			Required quantity: 2	Fig2075
435 d xDrive	07/2014 -	230 kW	FT2075			Required quantity: 2	Fig2075
430 d	07/2014 -	210 kW	FT2075			Required quantity: 2	Fig2075
430 d xDrive	07/2014 -	210 kW	FT2075			Required quantity: 2	Fig2075
435 i	03/2014 - 02/2016	250 kW	FT2075			Required quantity: 2	Fig2075
435 i xDrive	07/2014 - 02/2016	250 kW	FT2075			Required quantity: 2	Fig2075
420 d	03/2015 -	140 kW	FT2075			Required quantity: 2	Fig2075
420 d xDrive	03/2015 -	140 kW	FT2075			Required quantity: 2	Fig2075
418 d	07/2015 -	110 kW	FT2075			Required quantity: 2	Fig2075
418 i	07/2015 -	100 kW	FT2075			Required quantity: 2	Fig2075
420 d	03/2014 -	120 kW	FT2075			Required quantity: 2	Fig2075
420 d xDrive	03/2014 -	120 kW	FT2075			Required quantity: 2	Fig2075
420 i	03/2014 - 02/2017	120 kW	FT2075			Required quantity: 2	Fig2075
420 i xDrive	07/2014 - 02/2016	120 kW	FT2075			Required quantity: 2	Fig2075
418 d	03/2014 -	100 kW	FT2075			Required quantity: 2	Fig2075
420 d	03/2014 - 02/2015	147 kW	FT2075			Required quantity: 2	Fig2075
420 d xDrive	03/2014 - 02/2015	147 kW	FT2075			Required quantity: 2	Fig2075
430 i	03/2016 -	185 kW	FT2075			Required quantity: 2	Fig2075
430 i xDrive	03/2016 -	185 kW	FT2075			Required quantity: 2	Fig2075
440 i	03/2016 -	240 kW	FT2075			Required quantity: 2	Fig2075
440 i xDrive	03/2016 -	240 kW	FT2075			Required quantity: 2	Fig2075
425 d	03/2016 - 02/2018	165 kW	FT2075			Required quantity: 2	Fig2075
420 i	03/2016 -	135 kW	FT2075			Required quantity: 2	Fig2075
420 i xDrive	03/2016 -	135 kW	FT2075			Required quantity: 2	Fig2075
440 i xDrive	03/2016 -	265 kW	FT2075			Required quantity: 2	Fig2075
440 i	03/2016 -	265 kW	FT2075			Required quantity: 2	Fig2075
425 d	03/2016 - 02/2018	155 kW	FT2075			Required quantity: 2	Fig2075
420 i	03/2016 -	120 kW	FT2075			Required quantity: 2	Fig2075
420 i xDrive	03/2016 -	120 kW	FT2075			Required quantity: 2	Fig2075
425 i	06/2017 -	135 kW	FT2075			Required quantity: 2	Fig2075
430 i xDrive	03/2016 -	183 kW	FT2075			Required quantity: 2	Fig2075

5 (F10)

525 d xDrive	09/2011 - 10/2016	155 kW	FT0949			Required quantity: 2	Fig0949
525 d	09/2011 - 10/2016	155 kW	FT0949			Required quantity: 2	Fig0949
520 i	09/2011 - 10/2016	120 kW	FT0949			Required quantity: 2	Fig0949



kW



Pic
Nr

BMW - continued

5 (F10) - continued

M 550 d xDrive	03/2012 - 10/2016	280 kW	FT0949	↔		Required quantity: 2	Fig0949
535 i xDrive	03/2011 - 10/2016	225 kW	FT0949	↔		Required quantity: 2	Fig0949
520 i	09/2011 - 10/2016	135 kW	FT0949	↔		Required quantity: 2	Fig0949
528 i	09/2011 - 10/2016	180 kW	FT0949	↔		Required quantity: 2	Fig0949
528 i xDrive	09/2011 - 10/2016	180 kW	FT0949	↔		Required quantity: 2	Fig0949
530 i	05/2011 - 06/2013	200 kW	FT0949	↔		Construction year from: 09/2011, Required quantity: 2	Fig0949
525 d	09/2011 - 10/2016	160 kW	FT0949	↔		Required quantity: 2	Fig0949
525 d xDrive	09/2011 - 10/2016	160 kW	FT0949	↔		Required quantity: 2	Fig0949
530 d	09/2011 - 10/2016	190 kW	FT0949	↔		Required quantity: 2	Fig0949
530 d xDrive	03/2011 - 10/2016	190 kW	FT0949	↔		Required quantity: 2	Fig0949
535 d	09/2011 - 10/2016	230 kW	FT0949	↔		Required quantity: 2	Fig0949
535 d xDrive	09/2011 - 10/2016	230 kW	FT0949	↔		Required quantity: 2	Fig0949
ActiveHybrid	12/2011 - 10/2016	250 kW	FT0949	↔		Required quantity: 2	Fig0949
523 i	01/2010 - 08/2011	150 kW	FT0949	↔		Construction year from: 03/2010, Required quantity: 2, Construction year from: 03/2010, Required quantity: 2	Fig0949
528 i	03/2010 - 08/2011	190 kW	FT0949	↔		Required quantity: 2	Fig0949
535 i	01/2010 - 10/2016	225 kW	FT0949	↔		Construction year from: 03/2010, Required quantity: 2	Fig0949
550 i	03/2010 - 06/2013	300 kW	FT0949	↔		Required quantity: 2	Fig0949
520 d	06/2010 - 06/2014	135 kW	FT0949	↔		Required quantity: 2	Fig0949
525 d	03/2010 - 08/2011	150 kW	FT0949	↔		Required quantity: 2	Fig0949
530 d	01/2010 - 08/2011	180 kW	FT0949	↔		Construction year from: 03/2010, Required quantity: 2	Fig0949
550 i xDrive	08/2010 - 06/2013	300 kW	FT0949	↔		Construction year from: 09/2010, Required quantity: 2	Fig0949
535 d	09/2010 - 08/2011	220 kW	FT0949	↔		Required quantity: 2	Fig0949
ActiveHybrid	12/2011 - 10/2016	225 kW	FT0949	↔		Required quantity: 2	Fig0949
550 i	07/2013 - 10/2016	330 kW	FT0949	↔		Required quantity: 2	Fig0949
550 i xDrive	07/2013 - 10/2016	330 kW	FT0949	↔		Required quantity: 2	Fig0949
520 d xDrive	07/2013 - 06/2014	135 kW	FT0949	↔		Required quantity: 2	Fig0949
518 d	07/2013 - 06/2014	105 kW	FT0949	↔		Required quantity: 2, Required quantity: 2	Fig0949
520 d	07/2014 - 10/2016	140 kW	FT0949	↔		Required quantity: 2	Fig0949
520 d xDrive	07/2014 - 10/2016	140 kW	FT0949	↔		Required quantity: 2	Fig0949
535 i	07/2013 - 10/2016	240 kW	FT0949	↔		Required quantity: 2	Fig0949
535 i xDrive	07/2013 - 10/2016	240 kW	FT0949	↔		Required quantity: 2	Fig0949
520 d	06/2010 - 10/2016	120 kW	FT0949	↔		Required quantity: 2	Fig0949
518 d	07/2013 - 06/2014	100 kW	FT0949	↔		Required quantity: 2	Fig0949
520 d xDrive	10/2013 - 10/2016	120 kW	FT0949	↔		Required quantity: 2	Fig0949
530 d	09/2010 - 10/2016	210 kW	FT0949	↔		Construction year from: 10/2015, Required quantity: 2	Fig0949
530 d xDrive	03/2011 - 10/2016	210 kW	FT0949	↔		Construction year from: 10/2015, Required quantity: 2	Fig0949
520 i	07/2013 - 10/2016	125 kW	FT0949	↔		Required quantity: 2	Fig0949
520 d	06/2010 - 06/2014	147 kW	FT0949	↔		Required quantity: 2	Fig0949
520 d xDrive	01/2013 - 06/2014	147 kW	FT0949	↔		Construction year from: 02/2013, Required quantity: 2	Fig0949



kW



Pic
Nr

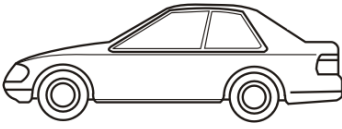
BMW - continued

5 (F10) - continued

520 d	01/2013 - 06/2014	100 kW	FT0949	↔		Required quantity: 2	Fig0949
520 d xDrive	01/2013 - 06/2014	100 kW	FT0949	↔		Required quantity: 2	Fig0949
520 d	10/2013 - 10/2016	155 kW	FT0949	↔		Construction year from: 07/2014, Required quantity: 2	Fig0949
520 d xDrive	10/2013 - 10/2016	155 kW	FT0949	↔		Construction year from: 07/2014, Required quantity: 2	Fig0949
523 i	01/2010 - 08/2011	155 kW	FT0949	↔		Construction year from: 03/2010, Required quantity: 2	Fig0949
530 i	03/2010 - 06/2013	190 kW	FT0949	↔		Construction year from: 09/2011, Required quantity: 2	Fig0949
518 d	10/2013 - 10/2016	120 kW	FT0949	↔		Construction year from: 07/2014, Required quantity: 2	Fig0949
520 d	07/2014 - 10/2016	151 kW	FT0949	↔		Required quantity: 2	Fig0949
520 d xDrive	07/2014 - 10/2016	151 kW	FT0949	↔		Required quantity: 2	Fig0949

5 (G30, F90)

530 i	09/2016 -	185 kW	FT2063	↔		Construction year from: 05/2017	Fig2063
			FT2065	↔		Construction year to: 04/2017	Fig2065
530 i xDrive	09/2016 -	185 kW	FT2063	↔		Construction year from: 05/2017	Fig2063
			FT2065	↔		Construction year to: 04/2017	Fig2065
540 i	09/2016 -	250 kW	FT2063	↔		Construction year from: 05/2017	Fig2063
			FT2065	↔		Construction year to: 04/2017	Fig2065
540 i xDrive	09/2016 -	250 kW	FT2063	↔		Construction year from: 05/2017	Fig2063
			FT2065	↔		Construction year to: 04/2017	Fig2065
M 550 i xDrive	03/2017 - 06/2019	340 kW	FT2063	↔			Fig2063
			FT2065	↔		Construction year to: 04/2017	Fig2065
520 d	09/2016 -	140 kW	FT2063	↔		Construction year from: 05/2017	Fig2063
			FT2065	↔		Construction year to: 04/2017	Fig2065
520 d xDrive	09/2016 -	140 kW	FT2063	↔		Construction year from: 05/2017	Fig2063
			FT2065	↔		Construction year to: 04/2017	Fig2065
530 d	09/2016 -	195 kW	FT2063	↔		Construction year from: 05/2017	Fig2063
			FT2065	↔		Construction year to: 04/2017	Fig2065
530 d xDrive	09/2016 -	195 kW	FT2063	↔		Construction year from: 05/2017	Fig2063
			FT2065	↔		Construction year to: 04/2017	Fig2065
520 d	09/2016 -	120 kW	FT2063	↔		Construction year from: 05/2017	Fig2063
			FT2065	↔		Construction year to: 04/2017	Fig2065
520 d xDrive	09/2016 -	120 kW	FT2063	↔		Construction year from: 05/2017	Fig2063
			FT2065	↔		Construction year to: 04/2017	Fig2065
540 i	09/2016 -	265 kW	FT2063	↔		Construction year from: 05/2017	Fig2063
			FT2065	↔		Construction year to: 04/2017	Fig2065
540 i xDrive	09/2016 -	265 kW	FT2063	↔		Construction year from: 05/2017	Fig2063
			FT2065	↔		Construction year to: 04/2017	Fig2065
530 e iPerformance	03/2017 -	135 kW	FT2063	↔			Fig2063
			FT2065	↔		Construction year to: 04/2017	Fig2065
530 e xDrive iPerformance	07/2019 -	135 kW	FT2063	↔			Fig2063
530 d xDrive	09/2016 -	183 kW	FT2063	↔		Construction year from: 05/2017	Fig2063
			FT2065	↔		Construction year to: 04/2017	Fig2065
525 d	07/2017 -	170 kW	FT2063	↔			Fig2063
540 d xDrive	07/2017 -	235 kW	FT2063	↔			Fig2063
M 550 d xDrive	06/2017 -	294 kW	FT2063	↔			Fig2063



kW



Pic
Nr

BMW - continued

5 (G30, F90) - continued

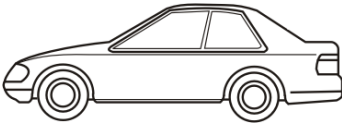
520 i	07/2017 -	135 kW	FT2063	↔			Fig2063
525 d	07/2017 -	155 kW	FT2063	↔			Fig2063
M5	09/2017 -	441 kW	FT2063	↔			Fig2063
520 i	07/2017 -	155 kW	FT2063	↔			Fig2063
M5 Competition	07/2018 -	460 kW	FT2063	↔			Fig2063
518 d	07/2018 -	100 kW	FT2063	↔			Fig2063
M 550 i xDrive	07/2019 -	390 kW	FT2063	↔			Fig2063
530 i xDrive	09/2016 -	183 kW	FT2063	↔		Construction year from: 05/2017	Fig2063
			FT2065	↔		Construction year to: 04/2017	Fig2065
530 e iPerformance	07/2019 -	120 kW	FT2063	↔			Fig2063
530 e xDrive iPerformance	03/2017 -	120 kW	FT2063	↔			Fig2063
520 d Mild-Hybrid	11/2019 -	120 kW	FT2063	↔			Fig2063
520 d Mild-Hybrid xDrive	11/2019 -	140 kW	FT2063	↔			Fig2063

5 Gran Turismo (F07)

530 d	09/2010 - 02/2017	155 kW	FT0949	↔		Required quantity: 2	Fig0949
535 i	01/2009 - 02/2017	225 kW	FT0949	↔		Construction year from: 10/2009,	Fig0949
						Required quantity: 2	
550 i	08/2009 - 06/2012	300 kW	FT0949	↔		Construction year from: 10/2009,	Fig0949
						Required quantity: 2	
530 d	08/2009 - 06/2012	180 kW	FT0949	↔		Construction year from: 10/2009,	Fig0949
						Required quantity: 2	
535 d xDrive	03/2010 - 06/2012	220 kW	FT0949	↔		Construction year from: 09/2010,	Fig0949
						Required quantity: 2	
535 i xDrive	09/2010 - 02/2017	225 kW	FT0949	↔		Required quantity: 2	Fig0949
550 i xDrive	06/2010 - 06/2012	300 kW	FT0949	↔		Construction year from: 09/2010,	Fig0949
						Required quantity: 2	
530 d xDrive	06/2010 - 06/2012	180 kW	FT0949	↔		Construction year from: 09/2010,	Fig0949
						Required quantity: 2	
535 d	03/2010 - 06/2012	220 kW	FT0949	↔		Required quantity: 2	Fig0949
520 d	04/2011 - 02/2017	135 kW	FT0949	↔		Construction year from: 10/2011,	Fig0949
						Required quantity: 2	
550 i	07/2012 - 02/2017	330 kW	FT0949	↔		Required quantity: 2	Fig0949
550 i xDrive	07/2012 - 06/2013	330 kW	FT0949	↔		Required quantity: 2	Fig0949
530 d	07/2012 - 02/2017	190 kW	FT0949	↔		Required quantity: 2	Fig0949
530 d xDrive	07/2012 - 02/2017	190 kW	FT0949	↔		Required quantity: 2	Fig0949
535 d xDrive	07/2012 - 02/2017	230 kW	FT0949	↔		Required quantity: 2	Fig0949
535 d	07/2012 - 02/2017	230 kW	FT0949	↔		Required quantity: 2	Fig0949
528 i	07/2013 - 02/2017	180 kW	FT0949	↔		Construction year from: 08/2013,	Fig0949
						Required quantity: 2	
520 d	07/2012 - 06/2013	120 kW	FT0949	↔		Required quantity: 2, Required	Fig0949
						quantity: 2	

5 Touring (F11)

M 550 d xDrive	03/2012 - 02/2017	280 kW	FT0949	↔		Required quantity: 2	Fig0949
520 i	10/2010 - 02/2017	135 kW	FT0949	↔		Construction year from: 09/2011,	Fig0949
						Required quantity: 2	
528 i	09/2011 - 02/2017	180 kW	FT0949	↔		Required quantity: 2	Fig0949
528 i xDrive	09/2011 - 02/2017	180 kW	FT0949	↔		Required quantity: 2	Fig0949



kW

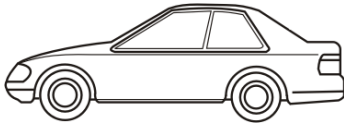


Pic
Nr

BMW - continued

5 Touring (F11) - continued

530 i	07/2011 - 06/2013	200 kW	FT0949	↔		Construction year from: 09/2011, Required quantity: 2	Fig0949
550 i	09/2010 - 06/2013	300 kW	FT0949	↔		Construction year from: 09/2011, Required quantity: 2	Fig0949
525 d	09/2011 - 02/2017	160 kW	FT0949	↔		Required quantity: 2	Fig0949
525 d xDrive	07/2013 - 02/2017	160 kW	FT0949	↔		Required quantity: 2	Fig0949
530 d	09/2011 - 02/2017	190 kW	FT0949	↔		Required quantity: 2	Fig0949
530 d xDrive	03/2011 - 02/2017	190 kW	FT0949	↔		Required quantity: 2	Fig0949
535 d	09/2011 - 02/2017	230 kW	FT0949	↔		Required quantity: 2	Fig0949
535 d xDrive	09/2011 - 02/2017	230 kW	FT0949	↔		Required quantity: 2	Fig0949
535 i xDrive	09/2011 - 02/2017	225 kW	FT0949	↔		Required quantity: 2	Fig0949
523 i	11/2009 - 08/2011	150 kW	FT0949	↔		Construction year from: 09/2010, Required quantity: 2	Fig0949
528 i	11/2009 - 08/2011	190 kW	FT0949	↔		Construction year from: 09/2010, Required quantity: 2	Fig0949
535 i	06/2010 - 02/2017	225 kW	FT0949	↔		Construction year from: 09/2010, Required quantity: 2	Fig0949
520 d	06/2010 - 06/2014	135 kW	FT0949	↔		Construction year from: 09/2010, Required quantity: 2	Fig0949
525 d	09/2010 - 08/2011	150 kW	FT0949	↔		Required quantity: 2	Fig0949
530 d	06/2010 - 08/2011	180 kW	FT0949	↔		Construction year from: 09/2010, Required quantity: 2	Fig0949
535 d	09/2010 - 08/2011	220 kW	FT0949	↔		Required quantity: 2	Fig0949
523 i	11/2009 - 08/2011	150 kW	FT0949	↔		Construction year from: 09/2010, Required quantity: 2	Fig0949
550 i	07/2013 - 02/2017	330 kW	FT0949	↔		Required quantity: 2	Fig0949
520 d xDrive	07/2013 - 06/2014	135 kW	FT0949	↔		Required quantity: 2	Fig0949
518 d	07/2013 - 06/2014	105 kW	FT0949	↔		Required quantity: 2, Required quantity: 2	Fig0949
520 d	07/2014 - 02/2017	140 kW	FT0949	↔		Required quantity: 2	Fig0949
520 d xDrive	07/2014 - 02/2017	140 kW	FT0949	↔		Required quantity: 2	Fig0949
520 i	09/2011 - 02/2017	120 kW	FT0949	↔		Required quantity: 2	Fig0949
520 d	06/2010 - 02/2017	120 kW	FT0949	↔		Construction year from: 09/2010, Required quantity: 2	Fig0949
518 d	07/2013 - 02/2017	100 kW	FT0949	↔		Required quantity: 2	Fig0949
520 d xDrive	07/2014 - 02/2017	120 kW	FT0949	↔		Required quantity: 2	Fig0949
525 d	09/2011 - 02/2017	155 kW	FT0949	↔		Required quantity: 2	Fig0949
525 d xDrive	07/2013 - 02/2017	155 kW	FT0949	↔		Required quantity: 2	Fig0949
535 i	07/2013 - 02/2017	240 kW	FT0949	↔		Construction year from: 10/2015, Required quantity: 2	Fig0949
535 i xDrive	07/2013 - 02/2017	240 kW	FT0949	↔		Construction year from: 10/2015, Required quantity: 2	Fig0949
530 d	09/2011 - 02/2017	210 kW	FT0949	↔		Construction year from: 10/2015, Required quantity: 2	Fig0949
530 d xDrive	03/2011 - 02/2017	210 kW	FT0949	↔		Construction year from: 10/2015, Required quantity: 2	Fig0949
520 d	07/2014 - 02/2017	155 kW	FT0949	↔		Required quantity: 2	Fig0949
520 d xDrive	07/2014 - 02/2017	155 kW	FT0949	↔		Required quantity: 2	Fig0949



kW



Pic
Nr

BMW - continued

5 Touring (F11) - continued

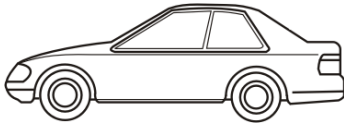
520 d	06/2010 - 06/2014	147 kW	FT0949	↔		Construction year from: 09/2010, Required quantity: 2	Fig0949
520 d xDrive	07/2013 - 06/2014	147 kW	FT0949	↔		Required quantity: 2, Required quantity: 2	Fig0949
520 d	06/2010 - 06/2014	100 kW	FT0949	↔		Construction year from: 09/2010, Required quantity: 2	Fig0949
518 d	07/2014 - 02/2017	120 kW	FT0949	↔		Required quantity: 2	Fig0949
530 i	03/2010 - 05/2013	190 kW	FT0949	↔		Construction year from: 09/2011, Required quantity: 2	Fig0949
520 d	07/2014 - 02/2017	151 kW	FT0949	↔		Required quantity: 2	Fig0949
520 d xDrive	07/2014 - 02/2017	151 kW	FT0949	↔		Required quantity: 2	Fig0949

5 Touring (G31)

530 i	03/2017 -	185 kW	FT2063	↔			Fig2063
			FT2065	↔		Construction year to: 04/2017	Fig2065
540 i xDrive	03/2017 -	250 kW	FT2063	↔			Fig2063
			FT2065	↔		Construction year to: 04/2017	Fig2065
540 i xDrive	03/2017 -	265 kW	FT2063	↔			Fig2063
			FT2065	↔		Construction year to: 04/2017	Fig2065
520 d	03/2017 -	140 kW	FT2063	↔			Fig2063
			FT2065	↔		Construction year to: 04/2017	Fig2065
530 d	03/2017 -	195 kW	FT2063	↔			Fig2063
			FT2065	↔		Construction year to: 04/2017	Fig2065
530 d xDrive	03/2017 -	195 kW	FT2063	↔			Fig2063
			FT2065	↔		Construction year to: 04/2017	Fig2065
520 d	03/2017 -	120 kW	FT2063	↔			Fig2063
			FT2065	↔		Construction year to: 04/2017	Fig2065
M 550 d xDrive	07/2017 -	294 kW	FT2063	↔			Fig2063
540 d xDrive	07/2017 -	235 kW	FT2063	↔			Fig2063
525 d	07/2017 -	170 kW	FT2063	↔			Fig2063
520 d xDrive	07/2017 -	140 kW	FT2063	↔			Fig2063
530 i xDrive	07/2017 -	185 kW	FT2063	↔			Fig2063
520 i	07/2017 -	135 kW	FT2063	↔			Fig2063
525 d	07/2017 -	155 kW	FT2063	↔			Fig2063
520 d xDrive	07/2017 -	120 kW	FT2063	↔			Fig2063
520 i	07/2017 -	155 kW	FT2063	↔			Fig2063
518 d	07/2018 -	110 kW	FT2063	↔			Fig2063
520 d Mild-Hybrid	11/2019 -	140 kW	FT2063	↔			Fig2063
520 d Mild-Hybrid xDrive	11/2019 -	140 kW	FT2063	↔			Fig2063

5 Touring Van (G31)

520 i	07/2017 -	135 kW	FT2063	↔			Fig2063
530 i	03/2017 -	185 kW	FT2063	↔			Fig2063
			FT2065	↔		Construction year to: 04/2017	Fig2065
540 i xDrive	03/2017 -	250 kW	FT2063	↔			Fig2063
			FT2065	↔		Construction year to: 04/2017	Fig2065
530 i xDrive	07/2017 -	185 kW	FT2063	↔			Fig2063
520 d	03/2017 -	140 kW	FT2063	↔			Fig2063
			FT2065	↔		Construction year to: 04/2017	Fig2065
520 d xDrive	07/2017 -	140 kW	FT2063	↔			Fig2063
530 d	03/2017 -	195 kW	FT2063	↔			Fig2063



kW



Pic
Nr

BMW - continued

5 Touring Van (G31) - continued

530 d	03/2017 -	195 kW	- continued					
				FT2065	↔		Construction year to: 04/2017	Fig2065
530 d xDrive	03/2017 -	195 kW		FT2063	↔			Fig2063
				FT2065	↔		Construction year to: 04/2017	Fig2065
540 d xDrive	07/2017 -	235 kW		FT2063	↔			Fig2063

6 Convertible (F12)

640 d xDrive	03/2012 - 06/2018	230 kW		FT0949	↔		Required quantity: 2	Fig0949
640 i	09/2011 - 06/2018	235 kW		FT0949	↔		Required quantity: 2	Fig0949
650 i	12/2010 - 06/2012	300 kW		FT0949	↔		Required quantity: 2	Fig0949
640 d	09/2011 - 06/2018	230 kW		FT0949	↔		Required quantity: 2	Fig0949
650 i xDrive	09/2011 - 06/2012	300 kW		FT0949	↔		Required quantity: 2, Construction year from: 09/2012, Required quantity: 2	Fig0949
650 i	07/2012 - 06/2018	330 kW		FT0949	↔		Required quantity: 2	Fig0949
640 i xDrive	03/2013 - 06/2018	235 kW		FT0949	↔		Required quantity: 2	Fig0949
650 i	09/2011 - 12/2012	298 kW		FT0949	↔		Required quantity: 2	Fig0949

6 Coupe (F13)

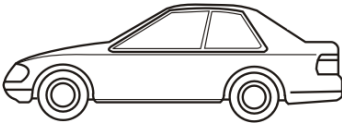
640 d xDrive	03/2012 - 10/2017	230 kW		FT0949	↔		Required quantity: 2	Fig0949
640 i	07/2011 - 10/2017	235 kW		FT0949	↔		Required quantity: 2	Fig0949
650 i	07/2011 - 06/2012	300 kW		FT0949	↔		Required quantity: 2	Fig0949
650 i xDrive	09/2011 - 02/2015	300 kW		FT0949	↔		Required quantity: 2	Fig0949
640 d	09/2011 - 10/2017	230 kW		FT0949	↔		Required quantity: 2	Fig0949
650 i	07/2012 - 10/2017	330 kW		FT0949	↔		Construction year from: 09/2012, Required quantity: 2	Fig0949
650 i xDrive	07/2012 - 10/2017	330 kW		FT0949	↔		Construction year from: 09/2012, Required quantity: 2	Fig0949
640 i xDrive	03/2013 - 10/2017	235 kW		FT0949	↔		Required quantity: 2	Fig0949
650 i	09/2011 - 12/2012	298 kW		FT0949	↔		Required quantity: 2	Fig0949

6 Gran Coupe (F06)

640 i	03/2012 - 10/2018	235 kW		FT0949	↔		Required quantity: 2	Fig0949
650 i	07/2012 - 10/2018	330 kW		FT0949	↔		Required quantity: 2	Fig0949
650 i xDrive	07/2012 - 10/2018	330 kW		FT0949	↔		Required quantity: 2	Fig0949
640 d	03/2012 - 10/2018	230 kW		FT0949	↔		Required quantity: 2	Fig0949
640 i xDrive	03/2013 - 10/2018	235 kW		FT0949	↔		Required quantity: 2	Fig0949
640 d xDrive	03/2013 - 10/2018	230 kW		FT0949	↔		Required quantity: 2	Fig0949

6 Gran Turismo (G32)

630 i	06/2017 -	190 kW		FT2063	↔			Fig2063
640 i	06/2017 -	250 kW		FT2063	↔			Fig2063
640 i xDrive	06/2017 -	250 kW		FT2063	↔			Fig2063
630 d	06/2017 -	195 kW		FT2063	↔			Fig2063
630 d xDrive	06/2017 -	195 kW		FT2063	↔			Fig2063
640 d xDrive	11/2017 -	235 kW		FT2063	↔			Fig2063
640 i	06/2017 -	265 kW		FT2063	↔			Fig2063
640 i xDrive	06/2017 -	265 kW		FT2063	↔			Fig2063
630 d	06/2017 -	155 kW		FT2063	↔			Fig2063
630 d xDrive	06/2017 -	155 kW		FT2063	↔			Fig2063
620 d	07/2018 -	140 kW		FT2063	↔			Fig2063
620 d xDrive	07/2018 -	140 kW		FT2063	↔			Fig2063
620 d	07/2018 -	120 kW		FT2063	↔			Fig2063
620 d xDrive	07/2018 -	120 kW		FT2063	↔			Fig2063



kW



Pic
Nr

BMW - continued

6 Gran Turismo (G32) - continued

630 i	06/2017 -	183 kW	FT2063	↔			Fig2063
630 i xDrive	07/2019 -	190 kW	FT2063	↔			Fig2063

7 (F01, F02, F03, F04)

ActiveHybrid	09/2009 - 06/2012	342 kW	FT0949	↔		Required quantity: 2	Fig0949
740 d xDrive	09/2010 - 12/2012	225 kW	FT0949	↔		Required quantity: 2	Fig0949
730 i, Li	06/2009 - 06/2015	190 kW	FT0949	↔		Required quantity: 2	Fig0949
ActiveHybrid	09/2009 - 06/2012	330 kW	FT0949	↔		Required quantity: 2	Fig0949
740 i, Li	09/2008 - 06/2012	240 kW	FT0949	↔		Required quantity: 2	Fig0949
750 i, Li	09/2008 - 06/2012	300 kW	FT0949	↔		Required quantity: 2	Fig0949
730 d	09/2008 - 06/2012	180 kW	FT0949	↔		Required quantity: 2	Fig0949
750 i xDrive	09/2009 - 06/2012	300 kW	FT0949	↔		Required quantity: 2	Fig0949
760 i	09/2009 - 12/2015	400 kW	FT0949	↔		Required quantity: 2	Fig0949
740 d	09/2009 - 06/2012	225 kW	FT0949	↔		Required quantity: 2	Fig0949
740 i, Li	09/2010 - 12/2015	224 kW	FT0949	↔		Required quantity: 2	Fig0949
730 d	02/2008 - 05/2015	155 kW	FT0949	↔		Construction year from: 09/2008, Required quantity: 2	Fig0949
740 i, Li	07/2012 - 12/2015	235 kW	FT0949	↔		Required quantity: 2	Fig0949
730 d	07/2012 - 05/2015	190 kW	FT0949	↔		Required quantity: 2	Fig0949
730 d xDrive	11/2011 - 05/2015	190 kW	FT0949	↔		Construction year from: 06/2012, Required quantity: 2	Fig0949
740 d	07/2012 - 06/2015	230 kW	FT0949	↔		Required quantity: 2	Fig0949
740 d xDrive	07/2012 - 06/2015	230 kW	FT0949	↔		Required quantity: 2	Fig0949
750 d xDrive	07/2012 - 12/2015	280 kW	FT0949	↔		Required quantity: 2	Fig0949
ActiveHybrid	05/2011 - 05/2015	260 kW	FT0949	↔		Required quantity: 2	Fig0949
750 i, Li	07/2012 - 06/2015	330 kW	FT0949	↔		Required quantity: 2	Fig0949
750 i, Li xDrive	07/2012 - 06/2015	330 kW	FT0949	↔		Required quantity: 2	Fig0949
ActiveHybrid	05/2011 - 05/2015	235 kW	FT0949	↔		Required quantity: 2	Fig0949
750 i	09/2012 - 06/2015	331 kW	FT0949	↔		Required quantity: 2	Fig0949
740 i, Li xDrive	07/2012 - 12/2015	235 kW	FT0949	↔		Required quantity: 2	Fig0949
730 d xDrive	11/2011 - 05/2015	155 kW	FT0949	↔		Construction year from: 06/2012, Required quantity: 2	Fig0949

7 (G11, G12)

740 i, Li	07/2015 - 02/2019	240 kW	FT2065	↔			Fig2065
750 i, Li xDrive	09/2015 - 02/2019	330 kW	FT2065	↔			Fig2065
730 d	09/2015 -	195 kW	FT2065	↔			Fig2065
730 d, Ld xDrive	09/2015 -	195 kW	FT2065	↔			Fig2065
730 d	07/2015 -	155 kW	FT2065	↔			Fig2065
730 d xDrive	09/2015 -	155 kW	FT2063	↔		Construction year from: 05/2017	Fig2063
			FT2065	↔			Fig2065
750 i, Li	11/2015 - 02/2019	330 kW	FT2065	↔			Fig2065
740 d, Ld xDrive	11/2015 -	235 kW	FT2065	↔			Fig2065
740 Li xDrive	03/2016 - 02/2019	240 kW	FT2065	↔			Fig2065
730 i, Li	11/2015 - 02/2019	190 kW	FT2065	↔			Fig2065
740 e, Le	07/2016 - 02/2019	240 kW	FT2065	↔			Fig2065
740 Le xDrive	07/2016 - 02/2019	240 kW	FT2065	↔			Fig2065
740 e, Le	07/2016 - 02/2019	190 kW	FT2065	↔			Fig2065
740 Le xDrive	07/2016 - 02/2019	190 kW	FT2065	↔			Fig2065
M 760 Li xDrive	12/2016 - 02/2019	448 kW	FT2065	↔			Fig2065
750 d, Ld xDrive	07/2016 -	294 kW	FT2065	↔			Fig2065



kW



Pic
Nr

BMW - continued

7 (G11, G12) - continued

725 d, Ld	07/2016 - 02/2019	170 kW	FT2063	↔		Construction year from: 07/2017	Fig2063
730 i, Li	03/2019 -	195 kW	FT2063	↔			Fig2063
740 i, Li	03/2019 -	250 kW	FT2063	↔			Fig2063
745 e, Le	03/2019 -	210 kW	FT2063	↔			Fig2063
745 Le xDrive	03/2019 -	210 kW	FT2063	↔			Fig2063
740 Li xDrive	03/2019 -	250 kW	FT2063	↔			Fig2063
750 i, Li xDrive	03/2019 -	390 kW	FT2063	↔			Fig2063
M 760 Li xDrive	03/2019 -	430 kW	FT2063	↔			Fig2063
730 d, Ld xDrive	09/2015 -	183 kW	FT2063	↔		Construction year from: 05/2017	Fig2063
			FT2065	↔		Construction year to: 04/2017	Fig2065
730 i	11/2015 -	183 kW	FT2065	↔			Fig2065

8 Convertible (G14, F91)

M 850 i xDrive	11/2018 -	390 kW	FT2063	↔		Construction year from: 03/2019	Fig2063
840 d xDrive	11/2018 -	235 kW	FT2063	↔			Fig2063
840 i	07/2019 -	250 kW	FT2063	↔			Fig2063
840 i xDrive	07/2019 -	250 kW	FT2063	↔			Fig2063
M8	07/2019 -	441 kW	FT2063	↔			Fig2063
M8 Competition	07/2019 -	460 kW	FT2063	↔			Fig2063

8 Coupe (G15, F92)

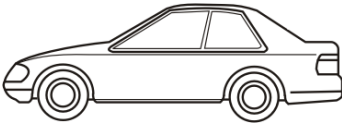
M 850 i xDrive	10/2018 -	390 kW	FT2063	↔			Fig2063
840 d xDrive	07/2018 -	235 kW	FT2063	↔			Fig2063
840 i	07/2019 -	250 kW	FT2063	↔			Fig2063
840 i xDrive	07/2019 -	250 kW	FT2063	↔			Fig2063
M8	07/2019 -	441 kW	FT2063	↔			Fig2063
M8 Competition	07/2019 -	460 kW	FT2063	↔			Fig2063

8 Gran Coupe (G16, F93)

840 i	07/2019 -	250 kW	FT2063	↔			Fig2063
840 i xDrive	07/2019 -	250 kW	FT2063	↔			Fig2063
M 850 i xDrive	07/2019 -	390 kW	FT2063	↔			Fig2063
840 d xDrive	07/2019 -	235 kW	FT2063	↔			Fig2063
M8	11/2019 -	441 kW	FT2063	↔			Fig2063
M8 Competition	11/2019 -	460 kW	FT2063	↔			Fig2063

i3 (I01)

Electric	08/2013 -	75 kW	FT2057	↔			Fig2057
			FT2068	↔			Fig2068
Range Extender	08/2013 -	75 kW	FT2057	↔			Fig2057
			FT2068	↔			Fig2068
Electric	09/2014 -	125 kW	FT2057	↔			Fig2057
			FT2068	↔			Fig2068
Range Extender	08/2013 -	125 kW	FT2057	↔			Fig2057
			FT2068	↔			Fig2068
s Electric	11/2017 -	135 kW	FT2057	↔			Fig2057
			FT2068	↔			Fig2068
s Range Extender	11/2017 -	135 kW	FT2057	↔			Fig2057
			FT2068	↔			Fig2068
s Electric	11/2017 -	75 kW	FT2057	↔			Fig2057
			FT2068	↔			Fig2068
s Range Extender	11/2017 -	75 kW	FT2057	↔			Fig2057
			FT2068	↔			Fig2068



kW

Pic
Nr

i8 (I12)

hybrid	03/2014 -	170 kW	FT2071	↔			Fig2071
--------	-----------	--------	------------------------	---	--	--	---------

i8 Roadster (I15)

hybrid	03/2018 -	275 kW	FT2071	↔			Fig2071
--------	-----------	--------	------------------------	---	--	--	---------

X3 (F25)

xDrive 28 i	01/2011 - 10/2012	190 kW	FT2076	↔			Fig2076
xDrive 30 d	04/2011 - 08/2017	190 kW	FT2076	↔			Fig2076
xDrive 35 d	10/2011 - 08/2017	230 kW	FT2076	↔			Fig2076
xDrive 20 i	10/2011 - 08/2017	135 kW	FT2076	↔			Fig2076
xDrive 35 i	09/2010 - 08/2017	225 kW	FT2076	↔			Fig2076
xDrive 20 d	09/2010 - 03/2014	135 kW	FT2076	↔			Fig2076
xDrive 28 i	04/2012 - 08/2017	180 kW	FT2076	↔			Fig2076
sDrive 18 d	10/2012 - 03/2014	100 kW	FT2076	↔			Fig2076
xDrive 20 d	09/2010 - 03/2014	120 kW	FT2076	↔			Fig2076
sDrive 18 d	04/2014 - 08/2017	110 kW	FT2076	↔			Fig2076
xDrive 20 d	04/2014 - 08/2017	140 kW	FT2076	↔			Fig2076
sDrive 20 i	04/2014 - 08/2017	135 kW	FT2076	↔			Fig2076
xDrive 30 d	04/2011 - 08/2017	155 kW	FT2076	↔			Fig2076

X3 (G01, F97)

xDrive M40 i	08/2017 -	265 kW	FT2083	↔			Fig2083
xDrive 20 d	08/2017 -	140 kW	FT2083	↔			Fig2083
xDrive 30d	08/2017 -	195 kW	FT2083	↔			Fig2083
xDrive 30 i	08/2017 -	185 kW	FT2083	↔			Fig2083
xDrive 20 i	12/2017 -	135 kW	FT2083	↔			Fig2083
xDrive 20 d	08/2017 -	120 kW	FT2083	↔			Fig2083
sDrive 20 i	12/2017 -	135 kW	FT2083	↔			Fig2083
sDrive 20 i 1.6	12/2017 -	125 kW	FT2083	↔			Fig2083
xDrive 25 d	04/2018 -	170 kW	FT2083	↔			Fig2083
xDrive M40 d	08/2018 -	240 kW	FT2083	↔			Fig2083
sDrive 18 d	04/2018 -	110 kW	FT2083	↔			Fig2083
xDrive 25 d	04/2018 -	155 kW	FT2083	↔			Fig2083
xDrive 30d	12/2017 -	183 kW	FT2083	↔		Construction year from: 04/2018	Fig2083
xDrive M40 i	09/2018 -	260 kW	FT2083	↔			Fig2083
M	03/2019 -	353 kW	FT2083	↔			Fig2083
M Competition	03/2019 -	375 kW	FT2083	↔			Fig2083
xDrive 30 e	12/2019 -	135 kW	FT2083	↔			Fig2083

X3 Van (G01)

xDrive 20 i	12/2017 -	135 kW	FT2083	↔			Fig2083
xDrive 30 i	08/2017 -	185 kW	FT2083	↔			Fig2083
xDrive M40 i	08/2017 -	265 kW	FT2083	↔			Fig2083
sDrive 18 d	04/2018 -	110 kW	FT2083	↔			Fig2083
xDrive 20 d	08/2017 -	140 kW	FT2083	↔			Fig2083
xDrive 30 d	08/2017 -	195 kW	FT2083	↔			Fig2083

X4 (F26)

xDrive 20 i	04/2014 - 03/2018	135 kW	FT2076	↔			Fig2076
xDrive 28 i	04/2014 - 03/2018	180 kW	FT2076	↔			Fig2076
xDrive 35 i	04/2014 - 03/2018	225 kW	FT2076	↔			Fig2076
xDrive 20 d	04/2014 - 03/2018	140 kW	FT2076	↔			Fig2076
xDrive 30 d	04/2014 - 03/2018	190 kW	FT2076	↔			Fig2076



kW



Pic
Nr

BMW - continued

X4 (F26) - continued

xDrive 35 d	04/2014 - 03/2018	230 kW	FT2076	↔			Fig2076
xDrive 20 d	04/2014 - 03/2018	120 kW	FT2076	↔			Fig2076
xDrive 30 d	04/2014 - 03/2018	155 kW	FT2076	↔			Fig2076
M 40 i	12/2015 - 03/2018	265 kW	FT2076	↔			Fig2076
xDrive 30 d	04/2014 - 03/2018	210 kW	FT2076	↔			Fig2076

X4 (G02, F98)

xDrive 20 i	04/2018 -	135 kW	FT2083	↔			Fig2083
xDrive 30 i	04/2018 -	185 kW	FT2083	↔			Fig2083
M40 i xDrive	04/2018 -	260 kW	FT2083	↔			Fig2083
xDrive 20 d	04/2018 -	140 kW	FT2083	↔			Fig2083
xDrive 25 d	04/2018 -	170 kW	FT2083	↔			Fig2083
M40 d xDrive	04/2018 -	240 kW	FT2083	↔			Fig2083
xDrive 30 d	04/2018 -	195 kW	FT2083	↔			Fig2083
xDrive 20 d	04/2018 -	120 kW	FT2083	↔			Fig2083
xDrive 25 d	04/2018 -	155 kW	FT2083	↔			Fig2083
xDrive 30 d	09/2018 -	183 kW	FT2083	↔			Fig2083
M40 i xDrive	04/2018 -	265 kW	FT2083	↔			Fig2083
M	03/2019 -	353 kW	FT2083	↔			Fig2083
M Competition	03/2019 -	375 kW	FT2083	↔			Fig2083
xDrive 30 i	04/2018 -	183 kW	FT2083	↔			Fig2083
xDrive 20 d Mild-Hybrid	04/2020 -	120 kW	FT2083	↔			Fig2083

X5 (E70)

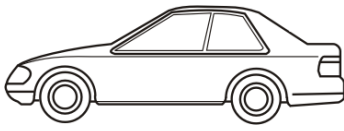
3.0 si	10/2006 - 09/2008	200 kW	FT2073	→		Fitting Position: inner, Construction year to: 04/2007	Fig2073
4.8 i xDrive	10/2006 - 09/2008	261 kW	FT2073	→		Fitting Position: inner, Construction year to: 04/2007	Fig2073
3.0 d	12/2006 - 09/2008	173 kW	FT2073	→		Fitting Position: inner, Construction year to: 04/2007, Fitting Position: inner, Construction year to: 04/2007	Fig2073
xDrive 30 i	02/2007 - 12/2012	172 kW	FT2073	→		Fitting Position: inner, Construction year to: 04/2007	Fig2073

Z4 COUPE (E85)

3.0 si	04/2006 - 08/2008	195 kW	FT0947	←			Fig0947
			FT0948	→			Fig0948

Z4 ROADSTER (E85)

3.0 i	09/2002 - 12/2005	170 kW	FT0947	←			Fig0947
			FT0948	→			Fig0948
2.5 i	02/2003 - 12/2005	141 kW	FT0947	←			Fig0947
			FT0948	→			Fig0948
2.2 i	10/2003 - 10/2005	125 kW	FT0947	←			Fig0947
			FT0948	→			Fig0948
2.0 i	03/2005 - 02/2009	110 kW	FT0947	←		Construction year from: 04/2005, Construction year to: 12/2008	Fig0947
			FT0948	→		Construction year from: 04/2005, Construction year to: 12/2008	Fig0948
2.5 i	09/2005 - 02/2009	130 kW	FT0947	←		Construction year from: 01/2006, Construction year to: 12/2008	Fig0947

**kW****Pic
Nr****BMW - continued****Z4 ROADSTER (E85) - continued**

2.5 i	09/2005 - 02/2009	130 kW	- continued					
				FT0948	→		Construction year from: 01/2006, Construction year to: 12/2008	Fig0948
2.5 si	01/2006 - 08/2008	160 kW		FT0947	←			Fig0947
				FT0948	→			Fig0948
3.0 si	01/2006 - 08/2008	195 kW		FT0947	←			Fig0947
				FT0948	→			Fig0948
2.5 si	09/2005 - 02/2009	155 kW		FT0947	←		Construction year from: 01/2006, Construction year to: 12/2008	Fig0947
				FT0948	→		Construction year from: 01/2006, Construction year to: 12/2008	Fig0948

Z4 Roadster (E89)

sDrive 20 i	09/2011 - 08/2016	135 kW		FT2064	↔			Fig2064
sDrive 28 i	09/2011 - 08/2016	180 kW		FT2064	↔			Fig2064
sDrive 23 i	03/2009 - 08/2011	150 kW		FT2064	↔			Fig2064
sDrive 30 i	02/2009 - 08/2011	190 kW		FT2064	↔		Construction year from: 04/2009	Fig2064
sDrive 35 i	02/2009 - 08/2016	225 kW		FT2064	↔		Construction year from: 04/2009	Fig2064
sDrive 35 is	03/2010 - 08/2016	250 kW		FT2064	↔			Fig2064
sDrive 18 i	04/2013 - 08/2016	115 kW		FT2064	↔			Fig2064
sDrive 20 i	09/2011 - 08/2016	120 kW		FT2064	↔			Fig2064
sDrive 30 i	05/2009 - 08/2011	194 kW		FT2064	↔			Fig2064
sDrive 35 i	02/2009 - 08/2016	224 kW		FT2064	↔		Construction year from: 04/2009	Fig2064

Z4 Roadster (G29)

sDrive 20 i	11/2018 -	145 kW		FT2090	↔			Fig2090
sDrive 30 i	11/2018 -	190 kW		FT2090	↔			Fig2090
M40 i	11/2018 -	250 kW		FT2090	↔			Fig2090
sDrive 20 i	11/2018 -	120 kW		FT2090	↔			Fig2090

CITROEN**C3 AIRCROSS II (2R_, 2C_)**

1.6 BlueHDi 100 (2CBHYB)	07/2017 -	73 kW		FT2027	↔			Fig2027
1.6 BlueHDi 120 (2CBHZH)	07/2017 -	88 kW		FT2027	↔			Fig2027
1.2 PureTech 82 (2RHMRC, 2RHMZB)	06/2017 -	60 kW		FT2027	↔			Fig2027
1.2 PureTech 110 (2RHNZB, 2RHNZW, 2RHNPX, 2RHNPJ)	06/2017 -	81 kW		FT2027	↔			Fig2027
1.2 PureTech 130 (2RHNYH)	07/2017 -	96 kW		FT2027	↔			Fig2027
1.6 BlueHDi 115 (2CBHXH)	06/2017 -	85 kW		FT2027	↔			Fig2027
1.5 BlueHDi 100 (2CYHYJ)	08/2018 -	75 kW		FT2027	↔			Fig2027
1.5 BlueHDi 120 (2CYHXX)	08/2018 -	88 kW		FT2027	↔			Fig2027
1.5 BlueHDi 100 (2CYHYJ)	08/2018 -	73 kW		FT2027	↔			Fig2027
1.6 HDi 92 (2C9HPA)	10/2017 -	68 kW		FT2027	↔			Fig2027

C3 AIRCROSS II VAN (2C_, 2R_)

PureTech 82	05/2019 -	60 kW		FT2027	↔			Fig2027
1.6 BlueHDI 100	05/2019 -	73 kW		FT2027	↔			Fig2027
1.5 BlueHDI 100	05/2019 -	73 kW		FT2027	↔			Fig2027
1.5 BlueHDI 120	05/2019 -	88 kW		FT2027	↔			Fig2027



kW



Pic
Nr

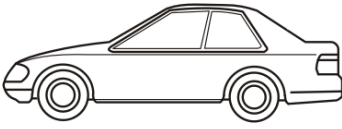
FORD

MAVERICK MK 2

3.0 V6 24V	02/2001 -	145 kW	FT1635	←		Construction year to: 02/2004, Brake System: for vehicles with drum brakes on the rear axle	Fig1635
2.0 16V	02/2001 -	91 kW	FT1635	←		Construction year to: 02/2004, Brake System: for vehicles with drum brakes on the rear axle	Fig1635
2.3 16V	03/2004 -	110 kW	FT1635	←		Construction year to: 05/2006, Brake System: for vehicles with drum brakes on the rear axle	Fig1635
3.0 V6 24V	03/2004 -	149 kW	FT1635	←		Construction year to: 07/2007, Type: Maverick, Brake System: for vehicles with drum brakes on the rear axle	Fig1635
2.0 16V FWD	02/2001 -	91 kW	FT1635	←		Construction year to: 02/2004, Brake System: for vehicles with drum brakes on the rear axle	Fig1635
3.0 V6 24V FWD	02/2001 -	145 kW	FT1635	←		Construction year to: 02/2004, Brake System: for vehicles with drum brakes on the rear axle	Fig1635

TOURNEO CUSTOM V362 Bus (F3)

2.2 TDCi	04/2012 -	74 kW	FT1557	↔		Wheelbase: Long Wheelbase, Fitting Position: inner, Construction year to: 02/2014, Construction year from: 09/2012	Fig1557
			FT1812	↔		Fitting Position: inner, Construction year from: 03/2014, Wheelbase: Long Wheelbase	Fig1812
2.2 TDCi	04/2012 -	92 kW	FT1557	↔		Wheelbase: Long Wheelbase, Fitting Position: inner, Construction year to: 02/2014, Construction year from: 09/2012	Fig1557
			FT1812	↔		Fitting Position: inner, Construction year from: 03/2014, Wheelbase: Long Wheelbase	Fig1812
2.2 TDCi	04/2012 -	114 kW	FT1557	↔		Wheelbase: Long Wheelbase, Fitting Position: inner, Construction year to: 02/2014, Construction year from: 09/2012	Fig1557
			FT1812	↔		Fitting Position: inner, Construction year from: 03/2014, Wheelbase: Long Wheelbase	Fig1812
2.0 EcoBlue	12/2015 -	77 kW	FT1812	←		Fitting Position: inner, Wheelbase: Long Wheelbase, Fitting Position: inner, Wheelbase: Long Wheelbase, Fitting Position: inner, Wheelbase: Long Wheelbase, Fitting Position: inner, Wheelbase: Long Wheelbase	Fig1812
2.0 EcoBlue mHEV	05/2019 -	136 kW	FT1812	↔		Fitting Position: inner, Wheelbase: Long Wheelbase, Fitting Position: inner, Wheelbase: Long Wheelbase	Fig1812



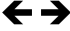





kW



Pic Nr

TRANSIT CUSTOM V362 Box (FY, FZ)

2.2 TDCi	04/2012 -	74 kW	FT1557	 	Wheelbase: Long Wheelbase, Construction year from: 09/2012, Construction year to: 02/2014, Type: Transit Custom 290, Fitting Position: inner, Wheelbase: Long Wheelbase, Construction year from: 09/2012, Construction year to: 02/2014, Type: Transit Custom 310, Fitting Position: inner, Wheelbase: Long Wheelbase, Construction year from: 09/2012, Construction year to: 02/2014, Type: Transit Custom 250, Fitting Position: inner, Wheelbase: Long Wheelbase, Fitting Position: inner, Type: Transit Custom 270, Construction year to: 02/2014, Construction year from: 09/2012	Fig1557
			FT1812	 	Construction year from: 03/2014, Type: Transit Custom 290, Fitting Position: inner, Wheelbase: Long Wheelbase, Construction year from: 03/2014, Type: Transit Custom 310, Fitting Position: inner, Wheelbase: Long Wheelbase, Wheelbase: Long Wheelbase, Construction year from: 03/2014, Type: Transit Custom 250, Fitting Position: inner, Wheelbase: Long Wheelbase, Construction year from: 03/2014, Type: Transit Custom 270, Fitting Position: inner	Fig1812
2.2 TDCi	04/2012 -	92 kW	FT1557	 	Wheelbase: Long Wheelbase, Construction year from: 09/2012, Construction year to: 02/2014, Type: Transit Custom 310, Fitting Position: inner, Wheelbase: Long Wheelbase, Construction year from: 09/2012, Construction year to: 02/2014, Type: Transit Custom 330, Fitting Position: inner, Wheelbase: Long Wheelbase, Construction year from: 09/2012, Construction year to: 02/2014, Type: Transit Custom 270, Fitting Position: inner, Wheelbase: Long Wheelbase, Fitting Position: inner, Type: Transit Custom 290, Construction year to: 02/2014, Construction year from: 09/2012	Fig1557



kW



Pic
Nr

FORD - continued

TRANSIT CUSTOM V362 Box (FY, FZ) - continued

2.2 TDCi

04/2012 -

92 kW - continued

[FT1812](#)



Construction year from: 03/2014, Type:
Transit Custom 310, Fitting Position:
inner, Wheelbase: Long Wheelbase,
Construction year from: 03/2014, Type:
Transit Custom 330, Fitting Position:
inner, Wheelbase: Long Wheelbase,
Wheelbase: Long Wheelbase,
Construction year from: 03/2014, Type:
Transit Custom 270, Fitting Position:
inner, Wheelbase: Long Wheelbase,
Construction year from: 03/2014, Type:
Transit Custom 290, Fitting Position:
inner

Fig1812

2.2 TDCi

04/2012 -

114 kW

[FT1557](#)



Wheelbase: Long Wheelbase,
Construction year from: 09/2012,
Construction year to: 02/2014, Type:
Transit Custom 310, Fitting Position:
inner, Wheelbase: Long Wheelbase,
Construction year from: 09/2012,
Construction year to: 02/2014, Type:
Transit Custom 330, Fitting Position:
inner, Wheelbase: Long Wheelbase,
Construction year from: 09/2012,
Construction year to: 02/2014, Type:
Transit Custom 270, Fitting Position:
inner, Wheelbase: Long Wheelbase,
Fitting Position: inner, Type: Transit
Custom 290, Construction year to:
02/2014, Construction year from:
09/2012

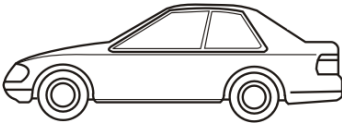
Fig1557

[FT1812](#)



Construction year from: 03/2014, Type:
Transit Custom 310, Fitting Position:
inner, Wheelbase: Long Wheelbase,
Construction year from: 03/2014, Type:
Transit Custom 330, Fitting Position:
inner, Wheelbase: Long Wheelbase,
Wheelbase: Long Wheelbase,
Construction year from: 03/2014, Type:
Transit Custom 270, Fitting Position:
inner, Wheelbase: Long Wheelbase,
Construction year from: 03/2014, Type:
Transit Custom 290, Fitting Position:
inner

Fig1812



kW



Pic
Nr

FORD - continued

TRANSIT CUSTOM V362 Box (FY, FZ) - continued

2.0 EcoBlue

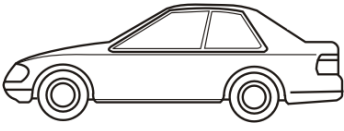
12/2015 -

77 kW

[FT1812](#)



Fitting Position: inner, Type: Transit Custom 280, Construction year from: 03/2018, Fitting Position: inner, Type: Transit Custom 300, Construction year from: 03/2018, Fitting Position: inner, Type: Transit Custom 260, Construction year from: 03/2018, Fitting Position: inner, Type: Transit Custom 320, Construction year from: 03/2018, Wheelbase: Long Wheelbase, Fitting Position: inner, Type: Transit Custom 290, Wheelbase: Long Wheelbase, Fitting Position: inner, Type: Transit Custom 270, Wheelbase: Long Wheelbase, Fitting Position: inner, Type: Transit Custom 250, Wheelbase: Long Wheelbase, Fitting Position: inner, Type: Transit Custom 310, Fitting Position: inner, Fitting Position: inner, Type: Transit Custom 280, Construction year from: 03/2018, Wheelbase: Long Wheelbase, Type: Transit Custom 320, Construction year from: 03/2018, Fitting Position: inner, Type: Transit Custom 300, Construction year from: 03/2018, Fitting Position: inner, Type: Transit Custom 340, Type: Transit Custom 290, Wheelbase: Long Wheelbase, Fitting Position: inner, Type: Transit Custom 270, Fitting Position: inner, Wheelbase: Long Wheelbase, Wheelbase: Long Wheelbase, Fitting Position: inner, Type: Transit Custom 310, Fitting Position: inner, Fitting Position: inner, Type: Transit Custom 320, Construction year from: 03/2018, Wheelbase: Long Wheelbase, Type: Transit Custom 280, Construction year from: 03/2018, Fitting Position: inner, Type: Transit Custom 300, Construction year from: 03/2018, Fitting Position: inner, Type: Transit Custom 340, Type: Transit Custom 290, Wheelbase: Long Wheelbase, Fitting Position: inner, Type: Transit Custom 270, Fitting Position: inner, Wheelbase: Long Wheelbase,



kW
























**Pic
Nr**

Wheelbase: Long Wheelbase, Fitting

Position: inner, Type: Transit Custom

310

Fig1812

		kW				Pic Nr
2.0 EcoBlue mHEV	05/2019 -	96 kW	FT1812	 	Type: Transit Custom 300, Fitting Position: inner, Type: Transit Custom 320, Fitting Position: inner, Type: Transit Custom 340, Fitting Position: inner, Type: Transit Custom 280, Fitting Position: inner	Fig1812
1.0 EcoBoost PHEV	09/2019 -	92 kW	FT1812	 	Fitting Position: inner	Fig1812
2.0 EcoBlue mHEV	05/2019 -	125 kW	FT1812	 	Type: Transit Custom 280, Fitting Position: inner, Type: Transit Custom 340, Fitting Position: inner, Type: Transit Custom 320, Fitting Position: inner, Type: Transit Custom 300, Fitting Position: inner	Fig1812
2.0 EcoBlue	05/2019 -	136 kW	FT1812	 	Type: Transit Custom 320, Fitting Position: inner, Type: Transit Custom 310, Fitting Position: inner, Type: Transit Custom 290, Fitting Position: inner	Fig1812
2.0 EcoBlue mHEV	05/2019 -	136 kW	FT1812	 	Type: Transit Custom 310, Fitting Position: inner, Type: Transit Custom 290, Fitting Position: inner	Fig1812
TRANSIT CUSTOM V362 Bus (F3)						
2.2 TDCi	04/2012 -	74 kW	FT1557	 	Wheelbase: Long Wheelbase, Fitting Position: inner, Type: Transit Custom 310, Construction year to: 02/2014, Construction year from: 09/2012, Construction year from: 09/2012, Construction year to: 02/2014, Type: Transit Custom 300, Fitting Position: inner, Wheelbase: Long Wheelbase	Fig1557
			FT1812	 	Fitting Position: inner, Type: Transit Custom 310, Construction year from: 03/2014, Wheelbase: Long Wheelbase, Fitting Position: inner, Type: Transit Custom 300, Construction year from: 03/2014, Wheelbase: Long Wheelbase	Fig1812
2.2 TDCi	04/2012 -	92 kW	FT1557	 	Wheelbase: Long Wheelbase, Fitting Position: inner, Wheelbase: Long Wheelbase, Construction year from: 09/2012, Construction year to: 02/2014, Type: Transit Custom 330, Fitting Position: inner, Type: Transit Custom 310, Construction year to: 02/2014, Construction year from: 09/2012, Construction year from: 09/2012, Construction year to: 02/2014, Type: Transit Custom 300, Fitting Position: inner, Wheelbase: Long Wheelbase	Fig1557



kW



**Pic
Nr**

FORD - continued

TRANSIT CUSTOM V362 Bus (F3) - continued

2.2 TDCi

04/2012 -

92 kW - continued

[FT1812](#)



Fitting Position: inner, Wheelbase: Long Wheelbase, Construction year from: 03/2014, Type: Transit Custom 330, Fitting Position: inner, Type: Transit Custom 310, Construction year from: 03/2014, Construction year from: 03/2014, Type: Transit Custom 300, Fitting Position: inner, Wheelbase: Long Wheelbase, Wheelbase: Long Wheelbase

Fig1812

2.2 TDCi

04/2012 -

114 kW

[FT1557](#)



Wheelbase: Long Wheelbase, Fitting Position: inner, Wheelbase: Long Wheelbase, Construction year from: 09/2012, Construction year to: 02/2014, Type: Transit Custom 330, Fitting Position: inner, Type: Transit Custom 310, Construction year to: 02/2014, Construction year from: 09/2012, Construction year from: 09/2012, Construction year to: 02/2014, Type: Transit Custom 300, Fitting Position: inner, Wheelbase: Long Wheelbase

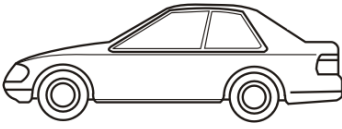
Fig1557

[FT1812](#)



Fitting Position: inner, Wheelbase: Long Wheelbase, Construction year from: 03/2014, Type: Transit Custom 330, Fitting Position: inner, Type: Transit Custom 310, Construction year from: 03/2014, Construction year from: 03/2014, Type: Transit Custom 300, Fitting Position: inner, Wheelbase: Long Wheelbase, Wheelbase: Long Wheelbase

Fig1812



kW

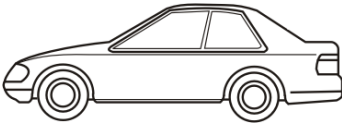


Pic
Nr

FORD - continued

TRANSIT CUSTOM V362 Bus (F3) - continued

2.0 EcoBlue	12/2015 -	77 kW	FT1812			Fitting Position: inner, Type: Transit Custom 320, Construction year from: 03/2018, Wheelbase: Long Wheelbase, Fitting Position: inner, Type: Transit Custom 310, Wheelbase: Long Wheelbase, Fitting Position: inner, Type: Transit Custom 320, Construction year from: 03/2018, Wheelbase: Long Wheelbase, Fitting Position: inner, Type: Transit Custom 340, Wheelbase: Long Wheelbase, Fitting Position: inner, Type: Transit Custom 310, Wheelbase: Long Wheelbase, Fitting Position: inner, Type: Transit Custom 320, Construction year from: 03/2018, Wheelbase: Long Wheelbase, Fitting Position: inner, Type: Transit Custom 340, Wheelbase: Long Wheelbase, Fitting Position: inner, Type: Transit Custom 310, Wheelbase: Long Wheelbase, Fitting Position: inner, Type: Transit Custom 340, Wheelbase: Long Wheelbase, Fitting Position: inner, Type: Transit Custom 320, Wheelbase: Long Wheelbase	Fig1812
2.0 EcoBlue mHEV	05/2019 -	136 kW	FT1812			Fitting Position: inner, Type: Transit Custom 340, Wheelbase: Long Wheelbase, Fitting Position: inner, Type: Transit Custom 320, Wheelbase: Long Wheelbase, Fitting Position: inner, Type: Transit Custom 340, Wheelbase: Long Wheelbase, Fitting Position: inner, Type: Transit Custom 320, Wheelbase: Long Wheelbase, Fitting Position: inner, Type: Transit Custom 320, Wheelbase: Long Wheelbase, Fitting Position: inner, Type: Transit Custom 340, Wheelbase: Long Wheelbase, Fitting Position: inner, Wheelbase: Long Wheelbase	Fig1812
TRANSIT V363 Box (FCD, FDD)							
2.2 TDCi RWD	08/2013 -	114 kW	FT1357			Type: Transit 430, Fitting Position: inner, Type: Transit 470, Fitting Position: inner, Type: Transit 350, Fitting Position: inner	Fig1357
2.2 TDCi 4x4	08/2015 -	114 kW	FT1357			Fitting Position: inner	Fig1357



kW

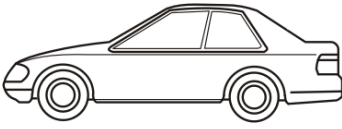


Pic
Nr

FORD - continued

TRANSIT V363 Box (FCD, FDD) - continued

2.2 TDCi	08/2013 -	114 kW	FT1357			Fitting Position: inner, Type: Transit 350, Fitting Position: inner, Type: Transit 330, Fitting Position: inner, Type: Transit 290	Fig1357
			FT1558			Type: Transit 310	Fig1558
2.2 TDCi RWD	08/2013 -	92 kW	FT1357			Type: Transit 470, Fitting Position: inner, Type: Transit 430, Fitting Position: inner, Type: Transit 350, Fitting Position: inner	Fig1357
2.2 TDCi	08/2013 -	92 kW	FT1357			Fitting Position: inner, Type: Transit 350, Fitting Position: inner, Type: Transit 330, Fitting Position: inner, Type: Transit 290	Fig1357
			FT1558			Type: Transit 310, Type: Transit 350	Fig1558
2.2 TDCi 4x4	08/2013 -	92 kW	FT1357			Fitting Position: inner	Fig1357
2.2 TDCi	08/2013 -	74 kW	FT1357			Fitting Position: inner, Type: Transit 350, Fitting Position: inner, Type: Transit 330, Fitting Position: inner, Type: Transit 290	Fig1357
			FT1558			Type: Transit 310	Fig1558
2.2 TDCi RWD	08/2013 -	74 kW	FT1357			Fitting Position: inner	Fig1357
2.0 EcoBlue	03/2016 -	96 kW	FT1357			Type: Transit 350, Fitting Position: inner, Type: Transit 330, Fitting Position: inner, Type: Transit 310, Fitting Position: inner, Type: Transit 290, Fitting Position: inner, Type: Transit 350, Fitting Position: inner, Type: Transit 330, Fitting Position: inner, Type: Transit 310, Fitting Position: inner, Type: Transit 290, Fitting Position: inner, Type: Transit 350, Fitting Position: inner, Type: Transit 330, Fitting Position: inner, Type: Transit 310, Fitting Position: inner	Fig1357
			FT1558			Type: Transit 310	Fig1558
2.0 EcoBlue RWD	03/2016 -	77 kW	FT1357			Fitting Position: inner, Construction year from: 05/2019, Type: Transit 350, Fitting Position: inner, Version: 2, Fitting Position: inner, Type: Transit 470, Fitting Position: inner, Type: Transit 350	Fig1357
2.0 EcoBlue RWD	03/2016 -	125 kW	FT1558			Version: 1, Type: Transit 470, Fitting Position: inner, Special Purpose Vehicle: for taxis, Special Purpose Vehicle: for police vehicles, Special Purpose Vehicle: for driving school cars, Special Purpose Vehicle: for ambulances, Fitting Position: inner, Type: Transit 470, Version: 1	Fig1558



kW



Pic
Nr

FORD - continued

TRANSIT V363 Box (FCD, FDD) - continued

2.0 EcoBlue 4x4	01/2017 -	96 kW	FT1357			Fitting Position: inner, Type: Transit 470, Fitting Position: inner, Type: Transit 350, Fitting Position: inner	Fig1357
2.0 EcoBlue mHEV	05/2019 -	96 kW	FT1357			Type: Transit 350, Fitting Position: inner, Version: 2, Type: Transit 330, Fitting Position: inner, Version: 2, Type: Transit 290, Fitting Position: inner, Version: 2, Type: Transit 310, Fitting Position: inner, Version: 2	Fig1357
			FT1558			Version: 1, Type: Transit 350, Fitting Position: inner, Special Purpose Vehicle: for taxis, Special Purpose Vehicle: for police vehicles, Special Purpose Vehicle: for driving school cars, Special Purpose Vehicle: for ambulances, Fitting Position: inner, Type: Transit 350, Version: 1, Fitting Position: inner, Type: Transit 330, Version: 1, Special Purpose Vehicle: for taxis, Special Purpose Vehicle: for police vehicles, Special Purpose Vehicle: for driving school cars, Special Purpose Vehicle: for ambulances, Fitting Position: inner, Type: Transit 330, Version: 1, Version: 1, Fitting Position: inner, Type: Transit 290, Version: 1, Special Purpose Vehicle: for taxis, Special Purpose Vehicle: for police vehicles, Special Purpose Vehicle: for driving school cars, Special Purpose Vehicle: for ambulances, Fitting Position: inner, Type: Transit 290, Version: 1, Fitting Position: inner, Type: Transit 310, Version: 1, Special Purpose Vehicle: for taxis, Special Purpose Vehicle: for police vehicles, Special Purpose Vehicle: for driving school cars, Special Purpose Vehicle: for ambulances, Fitting Position: inner, Type: Transit 310	Fig1558
2.0 EcoBlue mHEV RWD	05/2019 -	96 kW	FT1357			Fitting Position: inner, Version: 2	Fig1357
			FT1558			Version: 1, Fitting Position: inner, Special Purpose Vehicle: for taxis, Special Purpose Vehicle: for police vehicles, Special Purpose Vehicle: for driving school cars, Special Purpose Vehicle: for ambulances, Fitting Position: inner, Version: 1	Fig1558



kW



Pic
Nr

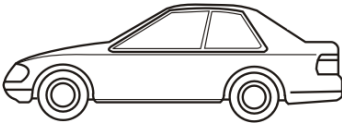
FORD - continued

TRANSIT V363 Box (FCD, FDD) - continued

2.0 EcoBlue mHEV	05/2019 -	125 kW	FT1357			Version: 2, Fitting Position: inner, Type: Transit 330, Version: 2, Fitting Position: inner, Type: Transit 310, Type: Transit 350, Fitting Position: inner, Version: 2	Fig1357
			FT1558			Type: Transit 330, Version: 1, Special Purpose Vehicle: for taxis, Special Purpose Vehicle: for police vehicles, Special Purpose Vehicle: for driving school cars, Special Purpose Vehicle: for ambulances, Fitting Position: inner, Fitting Position: inner, Special Purpose Vehicle: for ambulances, Version: 1, Fitting Position: inner, Type: Transit 330, Version: 1, Special Purpose Vehicle: for taxis, Special Purpose Vehicle: for police vehicles, Special Purpose Vehicle: for driving school cars, Type: Transit 310, Version: 1, Special Purpose Vehicle: for taxis, Special Purpose Vehicle: for police vehicles, Special Purpose Vehicle: for driving school cars, Special Purpose Vehicle: for ambulances, Fitting Position: inner, Type: Transit 350, Type: Transit 350, Version: 1, Fitting Position: inner, Type: Transit 310, Version: 1, Fitting Position: inner	Fig1558
2.0 EcoBlue mHEV RWD	05/2019 -	125 kW	FT1357			Fitting Position: inner, Version: 2	Fig1357
			FT1558			Version: 1, Fitting Position: inner, Special Purpose Vehicle: for taxis, Special Purpose Vehicle: for police vehicles, Special Purpose Vehicle: for driving school cars, Special Purpose Vehicle: for ambulances, Fitting Position: inner, Version: 1	Fig1558

TRANSIT V363 Bus (FAD, FBD)

2.2 TDCi RWD	08/2013 -	92 kW	FT1558			Type: Transit 460, Fitting Position: inner, Type: Transit 410, Fitting Position: inner, Type: Transit 370, Fitting Position: inner, Type: Transit 350, Fitting Position: inner, Type: Transit 460, Fitting Position: inner, Type: Transit 410, Fitting Position: inner, Type: Transit 370, Fitting Position: inner, Type: Transit 350, Fitting Position: inner, Fitting Position: inner	Fig1558
--------------	-----------	-------	------------------------	--	--	---	---------



kW



Pic
Nr

FORD - continued

TRANSIT V363 Bus (FAD, FBD) - continued

2.2 TDCi	08/2013 -	74 kW	FT1558	↔		Type: Transit 350, Fitting Position: inner, Type: Transit 330, Fitting Position: inner, Type: Transit 310, Fitting Position: inner, Type: Transit 350, Fitting Position: inner, Type: Transit 330, Fitting Position: inner, Type: Transit 310, Fitting Position: inner	Fig1558
2.2 TDCi 4x4	08/2013 -	92 kW	FT1558	↔		Fitting Position: inner	Fig1558
2.2 TDCi	12/2014 -	114 kW	FT1558	↔		Type: Transit 350, Fitting Position: inner, Type: Transit 330, Fitting Position: inner	Fig1558
2.0 EcoBlue	03/2016 -	77 kW	FT1357	↔		Version: 2, Fitting Position: inner, Type: Transit 330, Construction year from: 12/2018, Version: 2, Fitting Position: inner, Type: Transit 350, Construction year from: 12/2018	Fig1357
			FT1558	↔		Version: 1, Construction year from: 12/2018, Type: Transit 330, Fitting Position: inner, Fitting Position: inner, Type: Transit 350, Construction year from: 12/2018, Fitting Position: inner, Type: Transit 310, Version: 1, Type: Transit 350, Fitting Position: inner, Type: Transit 330, Fitting Position: inner, Type: Transit 310, Fitting Position: inner	Fig1558
2.0 EcoBlue	03/2016 -	125 kW	FT1357	↔		Version: 2, Fitting Position: inner, Type: Transit 350, Construction year from: 12/2018, Version: 2, Fitting Position: inner, Type: Transit 330, Construction year from: 12/2018	Fig1357
			FT1558	↔		Version: 1, Construction year from: 12/2018, Type: Transit 350, Fitting Position: inner, Fitting Position: inner, Type: Transit 330, Construction year from: 12/2018, Fitting Position: inner, Type: Transit 310, Version: 1	Fig1558
2.2 TDCi RWD	08/2013 -	99 kW	FT1558	↔		Fitting Position: inner	Fig1558
2.0 EcoBlue mHEV	05/2019 -	96 kW	FT1357	↔		Version: 2, Fitting Position: inner, Type: Transit 350, Version: 2, Fitting Position: inner, Type: Transit 310, Type: Transit 330, Fitting Position: inner, Version: 2	Fig1357
			FT1558	↔		Fitting Position: inner, Version: 1, Type: Transit 350, Fitting Position: inner, Type: Transit 310, Version: 1, Fitting Position: inner, Type: Transit 330, Version: 1	Fig1558



kW



Pic
Nr

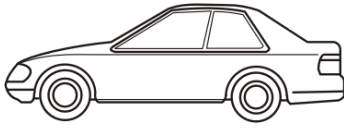
FORD - continued

TRANSIT V363 Bus (FAD, FBD) - continued

2.0 EcoBlue mHEV	05/2019 -	125 kW	FT1357			Version: 2, Fitting Position: inner, Type: Transit 350, Version: 2, Fitting Position: inner, Type: Transit 330	Fig1357
			FT1558			Type: Transit 350, Fitting Position: inner, Version: 1, Fitting Position: inner, Type: Transit 330, Version: 1	Fig1558

TRANSIT V363 Platform/Chassis (FED, FFD)

2.2 TDCi	08/2013 -	74 kW	FT1558			Type: Transit 350, Fitting Position: inner, Type: Transit 330, Fitting Position: inner, Type: Transit 310, Fitting Position: inner	Fig1558
2.2 TDCi RWD	08/2013 -	74 kW	FT1558			Type: Transit 350, Fitting Position: inner, Type: Transit 330, Fitting Position: inner, Type: Transit 310, Fitting Position: inner	Fig1558
2.2 TDCi	08/2013 -	92 kW	FT1558			Type: Transit 350, Fitting Position: inner, Type: Transit 330, Fitting Position: inner, Type: Transit 310, Fitting Position: inner	Fig1558
2.2 TDCi RWD	08/2013 -	92 kW	FT1558			Fitting Position: inner, Type: Transit 470, Fitting Position: inner, Type: Transit 430, Type: Transit 350, Type: Transit 310, Fitting Position: inner, Type: Transit 330, Fitting Position: inner, Fitting Position: inner	Fig1558
2.2 TDCi 4x4	08/2013 -	92 kW	FT1558			Type: Transit 330, Fitting Position: inner, Type: Transit 350, Fitting Position: inner	Fig1558
2.2 TDCi	08/2013 -	114 kW	FT1558			Type: Transit 310, Fitting Position: inner, Type: Transit 350, Fitting Position: inner	Fig1558
2.2 TDCi RWD	08/2013 -	114 kW	FT1558			Fitting Position: inner, Type: Transit 430, Fitting Position: inner, Type: Transit 470, Type: Transit 350, Type: Transit 310, Fitting Position: inner, Type: Transit 330, Fitting Position: inner, Fitting Position: inner	Fig1558
2.2 TDCi 4x4	08/2013 -	114 kW	FT1558			Fitting Position: inner	Fig1558
2.2 TDCi RWD	08/2013 -	99 kW	FT1558			Fitting Position: inner	Fig1558
2.0 EcoBlue	03/2016 -	77 kW	FT1558			Type: Transit 310, Fitting Position: inner, Type: Transit 350, Fitting Position: inner, Type: Transit 310, Fitting Position: inner, Type: Transit 350, Fitting Position: inner, Type: Transit 310, Construction year from: 12/2018, Fitting Position: inner, Type: Transit 350, Fitting Position: inner	Fig1558



kW



Pic
Nr

FORD - continued

TRANSIT V363 Platform/Chassis (FED, FFD) - continued

2.0 EcoBlue RWD	03/2016 -	77 kW	FT1558	↔		Type: Transit 350, Fitting Position: inner, Type: Transit 330, Fitting Position: inner, Type: Transit 310, Fitting Position: inner, Type: Transit 330, Fitting Position: inner, Type: Transit 350, Fitting Position: inner, Type: Transit 310, Fitting Position: inner, Type: Transit 350, Fitting Position: inner, Type: Transit 470, Fitting Position: inner	Fig1558
2.0 EcoBlue 4x4	01/2017 -	96 kW	FT1558	↔		Type: Transit 350, Fitting Position: inner, Type: Transit 330, Fitting Position: inner, Type: Transit 310, Fitting Position: inner, Type: Transit 470, Fitting Position: inner, Type: Transit 350, Fitting Position: inner	Fig1558
2.0 EcoBlue mHEV RWD	05/2019 -	96 kW	FT1357	↔		Version: 2, Fitting Position: inner, Type: Transit 350, Version: 2, Fitting Position: inner, Type: Transit 330, Type: Transit 310, Fitting Position: inner, Version: 2	Fig1357
			FT1558	↔		Fitting Position: inner, Version: 1, Type: Transit 350, Fitting Position: inner, Type: Transit 330, Version: 1, Fitting Position: inner, Type: Transit 310, Version: 1	Fig1558
2.0 EcoBlue mHEV	05/2019 -	96 kW	FT1357	↔		Version: 2, Fitting Position: inner, Type: Transit 350, Version: 2, Fitting Position: inner, Type: Transit 310	Fig1357
			FT1558	↔		Type: Transit 350, Fitting Position: inner, Version: 1, Fitting Position: inner, Type: Transit 310, Version: 1	Fig1558
2.0 EcoBlue mHEV	05/2019 -	125 kW	FT1357	↔		Fitting Position: inner, Version: 2	Fig1357
			FT1558	↔		Fitting Position: inner, Version: 1	Fig1558
2.0 EcoBlue mHEV RWD	05/2019 -	125 kW	FT1357	↔		Fitting Position: inner, Version: 2	Fig1357
			FT1558	↔		Fitting Position: inner, Version: 1	Fig1558

HONDA

ACCORD MK 8 ESTATE

2.0 (CM1)	04/2003 - 05/2008	114 kW	FT2133	→			Fig2133
			FT2134	←			Fig2134
			FT2135	↔			Fig2135
			FT2144	←			Fig2144
			FT2145	→			Fig2145
			FT2150	→			Fig2150
2.4 (CM2)	04/2003 - 05/2008	140 kW	FT2134	←			Fig2134
			FT2135	←			Fig2135
			FT2144	←			Fig2144
			FT2145	→			Fig2145



kW



Pic Nr

HONDA - continued

ACCORD MK 8 ESTATE - continued

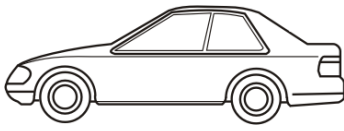
2.4 (CM2)	04/2003 - 05/2008	140 kW	- continued				
				FT2150	→		Fig2150
2.2 i-CTDi (CN2)	01/2004 - 05/2008	103 kW		FT2134	←		Fig2134
				FT2135	←		Fig2135
				FT2144	←		Fig2144
				FT2145	→		Fig2145
				FT2150	→		Fig2150
2.4 Vtec T	09/2003 - 05/2008	147 kW		FT2144	←		Fig2144
				FT2145	→		Fig2145
				FT2150	→		Fig2150

ACCORD MK 8 SALOON

2.4 i 16V	02/2003 - 05/2008	115 kW		FT2144	←		Fig2144
				FT2145	→		Fig2145
				FT2150	→		Fig2150
2.0 (CL7)	02/2003 - 05/2008	114 kW		FT2133	→		Braking / Drive Dynamics: for vehicles without ESP Fig2133
				FT2134	←		Fig2134
				FT2135	← →		Braking / Drive Dynamics: for vehicles without ESP Fig2135
				FT2144	←		Fig2144
				FT2145	→		Fig2145
				FT2150	→		Fig2150
				FT2150	→		Fig2150
2.4 (CL9)	02/2003 - 05/2008	140 kW		FT2134	←		Fig2134
				FT2135	←		Fig2135
				FT2144	←		Fig2144
				FT2145	→		Fig2145
				FT2150	→		Fig2150
				FT2150	→		Fig2150
2.2 i-CTDi (CN1)	01/2004 - 05/2008	103 kW		FT2134	←		Fig2134
				FT2135	←		Fig2135
				FT2144	←		Fig2144
				FT2145	→		Fig2145
				FT2150	→		Fig2150
2.0 All-wheel Drive (CL8)	02/2003 - 05/2008	114 kW		FT2144	←		Fig2144
				FT2145	→		Fig2145
				FT2150	→		Fig2150
2.4	09/2006 - 05/2008	113 kW		FT2144	←		Fig2144
				FT2145	→		Fig2145
				FT2150	→		Fig2150
3.0	04/2006 - 05/2008	182 kW		FT2144	←		Fig2144
				FT2145	→		Fig2145
				FT2150	→		Fig2150

ACCORD VII (CM)

2.4 Vtec E (CM5)	09/2002 - 12/2005	118 kW		FT2144	←		Construction year from: 02/2003, Construction year to: 09/2005 Fig2144
				FT2145	→		Construction year from: 02/2003, Construction year to: 09/2005 Fig2145
				FT2150	→		Construction year from: 02/2003, Construction year to: 09/2005 Fig2150
3.0 (CM6)	05/2003 - 12/2005	177 kW		FT2144	←		Fig2144



kW



Pic
Nr

HONDA - continued

ACCORD VII (CM) - continued

3.0 (CM6)	05/2003 - 12/2005	177 kW	- continued				
				FT2145	→		Fig2145
				FT2150	→		Fig2150
3.0	09/2005 - 12/2007	182 kW		FT2144	←		Fig2144
				FT2145	→		Fig2145
				FT2150	→		Fig2150

HYUNDAI

AMICA (AtoZ)

1.0 i	02/1998 - 12/2000	40 kW	FT2130	←		Construction year from: 09/2000, Type: Atos Prime, Type: Atos, Type: Atos Prime	Fig487
1.1	08/2003 - 12/2008	46 kW	FT2130	←		Construction year from: 03/2006, Type: Atos Prima, Type: Atos Prime, Type: Atos, Type: Amica, Type: Atos, Type: Atos Prime, Construction year from: 02/2000	Fig487
1.0 i	02/1998 - 03/2002	41 kW	FT2130	←		Type: Amica, Construction year from: 09/2000, Construction year to: 12/2001, Type: Atoz	Fig487

IVECO

DAILY IV Box Body/Estate

29L10 V	05/2006 - 08/2011	70 kW	FT2047	↔			Fig2047
29L14 C, 29L14 C/P, 29L14 V, 29L14 V/P	05/2006 - 08/2011	100 kW	FT2047	↔		Type: Daily 29L14, Type: Daily 29L14P	Fig2047
29L12 V, 29L12 V/P	05/2006 - 08/2011	85 kW	FT2047	↔		Type: Daily 29L12, Type: Daily 29L12P	Fig2047
35C10, 35S10	05/2006 - 08/2011	70 kW	FT2047	↔		Type: Daily 35S10	Fig2047
35C12 V, 35C12 V/P, 35S12 V, 35S12 V/P	05/2006 - 08/2011	85 kW	FT2047	↔		Type: Daily 35S12, Construction year to: 08/2009, Type: Daily 35S12P	Fig2047
35C18 V, 35C18 V/P, 35S18 V, 35S18 V/P	05/2006 - 08/2011	130 kW	FT2047	↔		Type: Daily 35S18, Type: Daily 35S18P	Fig2047
35S14 C, 35S14 C/P, 35S14 V, 35S14 V/P, 35C14 V,...	05/2006 - 08/2011	100 kW	FT2047	↔		Type: Daily 35S14, Type: Daily 35S14P	Fig2047
35C14 GV, 35C14 GV/P, 35S14 GV, 35S14 GV/P	07/2007 - 08/2011	100 kW	FT2047	↔		Construction year to: 08/2009, Type: Daily 35S14	Fig2047
35C14 V, 35C14 V/P, 35S14 V, 35S14 V/P	09/2009 - 08/2011	103 kW	FT2047	↔		Type: Daily 35S14	Fig2047
35C17 V, 35C17 V/P, 35S17 V, 35S17 V/P	07/2007 - 08/2011	125 kW	FT2047	↔		Construction year from: 09/2009, Type: Daily 35S17	Fig2047
35C13 V, 35C13 V/P, 35S13 V, 35S13 V/P	07/2007 - 08/2011	93 kW	FT2047	↔		Construction year from: 09/2009, Type: Daily 35S13	Fig2047
35C11 V, 35S11 V	07/2007 - 08/2011	78 kW	FT2047	↔		Construction year from: 09/2009, Type: Daily 35S11	Fig2047
55C17	08/2007 - 03/2012	125 kW	FT2047	↔		Construction year from: 09/2009, Construction year to: 08/2011, Type: Daily 35S17	Fig2047

DAILY IV Bus



kW

Pic
Nr

IVECO - continued

DAILY IV Bus - continued

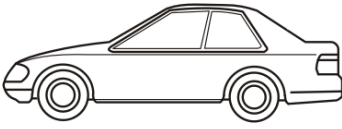
35S14, 35S14 /P	05/2006 - 08/2011	100 kW	FT2047	↔		Construction year to: 08/2009, Type: Daily 35S14	Fig2047
-----------------	-------------------	--------	------------------------	---	--	--	---------

DAILY IV Platform/Chassis

29L10	05/2006 - 08/2011	70 kW	FT2047	↔			Fig2047
29L12	05/2006 - 08/2011	85 kW	FT2047	↔		Type: Daily 29L12, Type: Daily 29L12P	Fig2047
29L14	05/2006 - 08/2011	100 kW	FT2047	↔		Type: Daily 29L14	Fig2047
35C10, 35S10	05/2006 - 08/2011	70 kW	FT2047	↔		Type: Daily 35S10	Fig2047
35C12, 35S12	05/2006 - 08/2011	85 kW	FT2047	↔		Type: Daily 35S12	Fig2047
35C18, 35S18	05/2006 - 08/2011	130 kW	FT2047	↔		Type: Daily 35S18	Fig2047
35C14, 35S14, 35S14 /P	05/2006 - 08/2011	100 kW	FT2047	↔		Type: Daily 35S14, Type: Daily 35S14P	Fig2047
35C17, 35C17 /P, 35S17, 35S17 /P, 35S17 D	07/2007 - 08/2011	125 kW	FT2047	↔		Construction year from: 09/2009, Type: Daily 35S17	Fig2047
35C13, 35C13 /P, 35S13 D, 35S13, 35S13 /P	07/2007 - 08/2011	93 kW	FT2047	↔		Construction year from: 09/2009, Type: Daily 35S13	Fig2047
35C14, 35C14 /P, 35S14, 35S14 /P, 35S14 D, 35S14 D/P	09/2009 - 08/2011	103 kW	FT2047	↔		Type: Daily 35S14	Fig2047
35C14 G, 35C14 G/P, 35S14 G, 35S14 G/P, 35C14 GD,...	07/2007 - 08/2011	100 kW	FT2047	↔		Construction year to: 08/2009, Type: Daily 35S14	Fig2047
35C11, 35S11, 35S11 D, 35S11 /P	07/2007 - 08/2011	78 kW	FT2047	↔		Construction year from: 09/2009, Type: Daily 35S11	Fig2047

DAILY VI Box

33S11, 35S11, 35C11	03/2014 - 04/2016	78 kW	FT2047	↔		Type: Daily 33S11, Type: Daily 35S11	Fig2047
			FT2051	↔		Type: Daily 35S11, Spring Type: for leaf-spring suspension vehicles, Type: Daily 35C11, Type: Daily 33S11	Fig2051
33S13, 35S13, 35C13	03/2014 - 04/2016	93 kW	FT2047	↔		Type: Daily 33S13, Type: Daily 35S13P, Type: Daily 35S13, Type: Daily 33S13P	Fig2047
			FT2051	↔		Type: Daily 35C13P, Spring Type: for leaf-spring suspension vehicles, Type: Daily 35S13, Type: Daily 35S13P, Spring Type: for leaf-spring suspension vehicles, Type: Daily 33S13, Type: Daily 33S13P, Type: Daily 35C13	Fig2051
33S15, 35S15, 35C15	03/2014 - 04/2016	107 kW	FT2047	↔		Type: Daily 33S15, Type: Daily 35S15P, Type: Daily 35S15, Type: Daily 33S15P	Fig2047



kW



Pic
Nr

IVECO - continued

DAILY VI Box - continued

33S15, 35S15, 35C15

03/2014 - 04/2016

107 kW - continued

			FT2051			Type: Daily 35C15P, Spring Type: for leaf-spring suspension vehicles, Type: Daily 35S15, Type: Daily 35S15P, Spring Type: for leaf-spring suspension vehicles, Type: Daily 33S15, Type: Daily 33S15P, Type: Daily 35C15	Fig2051
35S15, 35C15, 40C15, 50C15, 65C15, 70C15	03/2014 - 04/2016	107 kW	FT2047			Type: Daily 35S15, Type: Daily 35S15P	Fig2047
			FT2051			Type: Daily 35S15P, Type: Daily 40C15, Spring Type: for leaf-spring suspension vehicles, Type: Daily 40C15P, Type: Daily 35C15, Spring Type: for leaf-spring suspension vehicles, Type: Daily 35C15P, Spring Type: for leaf-spring suspension vehicles, Type: Daily 35S15, Spring Type: for leaf-spring suspension vehicles	Fig2051
35S17, 35C17, 40C17, 50C17, 55C17, 65C17, 70C17	03/2014 - 04/2016	125 kW	FT2047			Type: Daily 35S17, Type: Daily 35S17P	Fig2047
			FT2051			Block Separation: , Type: Daily 35S17, Type: Daily 35S17P, Spring Type: for leaf-spring suspension vehicles, Type: Daily 35C17P, Spring Type: for leaf-spring suspension vehicles, Type: Daily 35C17	Fig2051
35S21, 35C21, 40C21, 50C21, 65C21, 70C21	03/2014 -	150 kW	FT2047			Type: Daily 35S21, Type: Daily 35S21P	Fig2047
			FT2051			Type: Daily 35S21P, Type: Daily 40C21, Spring Type: for leaf-spring suspension vehicles, Type: Daily 40C21P, Type: Daily 35C21, Spring Type: for leaf-spring suspension vehicles, Type: Daily 35C21P, Spring Type: for leaf-spring suspension vehicles, Type: Daily 35S21, Spring Type: for leaf-spring suspension vehicles	Fig2051
Natural Power 35S14, 35C14, 40C14, 50C14, 65C14, 70C14	03/2014 -	100 kW	FT2047			Type: Daily 35S14, Type: Daily 35S14P	Fig2047
			FT2051			Type: Daily 35S14P, Type: Daily 35S14	Fig2051
33S12, 35S12, 35C12	04/2016 -	85 kW	FT2047			Type: Daily 35S12	Fig2047
			FT2051			Type: Daily 35S12	Fig2051
33S14, 35S14, 35C14	04/2016 -	100 kW	FT2047				Fig2047



kW



Pic
Nr

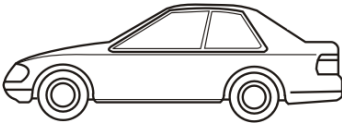
IVECO - continued

DAILY VI Box - continued

33S14, 35S14, 35C14		04/2016 -	100 kW	- continued			
				FT2051			Fig2051
33S16, 35S16, 35C16	04/2016 -	115 kW	FT2047			Type: Daily 35S16	Fig2047
			FT2051			Type: Daily 35S16	Fig2051
35S15, 35C15, 40C15, 50C15, 65C15, 70C15	04/2016 -	110 kW	FT2051			Type: Daily 35C15, Spring Type: for leaf-spring suspension vehicles	Fig2051
35S18, 35C18, 40C18, 50C18, 65C18, 70C18	04/2016 -	132 kW	FT2047			Type: Daily 35S18, Type: Daily 35S18P	Fig2047
			FT2051			Type: Daily 35S18P, Type: Daily 35S18, Spring Type: for leaf-spring suspension vehicles, Type: Daily 35C18	Fig2051
35S/E	09/2016 -	60 kW	FT2047			Type: Daily 35S60E, Type: Daily 35S60EP	Fig2047
			FT2051			Type: Daily 35S60EP, Type: Daily 35S60E	Fig2051

DAILY VI Platform/Chassis

33S11, 35S11, 35C11	03/2014 - 04/2016	78 kW	FT2047			Type: Daily 33S11, Type: Daily 35S11P, Type: Daily 35S11	Fig2047
			FT2051			Type: Daily 35S11, Type: Daily 35S11P, Spring Type: for leaf-spring suspension vehicles, Type: Daily 35C11, Type: Daily 33S11	Fig2051
33S13, 35S13, 35C13	03/2014 - 04/2016	93 kW	FT2047			Type: Daily 33S13, Type: Daily 35S13P, Type: Daily 35S13, Type: Daily 33S13P	Fig2047
			FT2051			Type: Daily 35C13P, Spring Type: for leaf-spring suspension vehicles, Type: Daily 35S13, Type: Daily 35S13P, Spring Type: for leaf-spring suspension vehicles, Type: Daily 33S13, Type: Daily 33S13P, Type: Daily 35C13	Fig2051
35S14, 35S15, 35C15, 40S14, 40C15, 50C15, 65C15, 70C15	03/2014 - 04/2016	107 kW	FT2047			Type: Daily 35S15, Type: Daily 35S15P	Fig2047
			FT2051			Type: Daily 35S15P, Type: Daily 40C15, Spring Type: for leaf-spring suspension vehicles, Type: Daily 40C15P, Type: Daily 35C15, Spring Type: for leaf-spring suspension vehicles, Type: Daily 35C15P, Spring Type: for leaf-spring suspension vehicles, Type: Daily 35S15, Spring Type: for leaf-spring suspension vehicles	Fig2051
35S17, 35C17, 40C17, 45S17, 45C17, 50C17, 55C17, 65C17,...	03/2014 - 04/2016	125 kW	FT2047			Type: Daily 35S17, Type: Daily 35S17P	Fig2047



kW



Pic
Nr

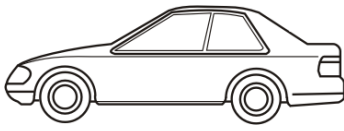
IVECO - continued

DAILY VI Platform/Chassis - continued

35S17, 35C17, 40C17, 45S17, 45C17 03/2014 - 04/2016

125 kW - continued

			FT2051			Type: Daily 35S17P, Type: Daily 40C17, Spring Type: for leaf-spring suspension vehicles, Type: Daily 40C17P, Type: Daily 35C17, Spring Type: for leaf-spring suspension vehicles, Type: Daily 35C17P, Spring Type: for leaf-spring suspension vehicles, Type: Daily 35S17, Spring Type: for leaf-spring suspension vehicles	Fig2051
35S21, 35C21, 40C21, 50C21, 65C21, 70C21	03/2014 -	150 kW	FT2047			Type: Daily 35S21, Type: Daily 35S21P	Fig2047
			FT2051			Type: Daily 35S21P, Type: Daily 40C21, Spring Type: for leaf-spring suspension vehicles, Type: Daily 40C21P, Type: Daily 35C21, Spring Type: for leaf-spring suspension vehicles, Type: Daily 35C21P, Spring Type: for leaf-spring suspension vehicles, Type: Daily 35S21, Spring Type: for leaf-spring suspension vehicles	Fig2051
NaturalPower 35S14, 35C14, 40C14, 50C14, 65C14, 70C14,...	03/2014 -	100 kW	FT2047			Type: Daily 35S14, Type: Daily 35S14P	Fig2047
			FT2051			Type: Daily 35S14P, Type: Daily 35S14, Spring Type: for leaf-spring suspension vehicles, Type: Daily 35C14	Fig2051
33S15, 35S15, 35C15	03/2014 - 04/2016	107 kW	FT2047			Type: Daily 33S15, Type: Daily 35S15P, Type: Daily 35S15, Type: Daily 33S15P	Fig2047
			FT2051			Type: Daily 35C15P, Spring Type: for leaf-spring suspension vehicles, Type: Daily 35S15, Type: Daily 35S15P, Spring Type: for leaf-spring suspension vehicles, Type: Daily 33S15, Type: Daily 33S15P, Type: Daily 35C15	Fig2051
33S12, 35S12, 35C12	04/2016 -	85 kW	FT2047			Type: Daily 35S12, Type: Daily 35S12P	Fig2047
			FT2051			Type: Daily 35S12P, Type: Daily 35S12, Spring Type: for leaf-spring suspension vehicles, Type: Daily 35C12	Fig2051
33S14, 35S14, 35C14	04/2016 -	100 kW	FT2047			Type: Daily 35S14, Type: Daily 35S14P	Fig2047



kW



Pic Nr

IVECO - continued

DAILY VI Platform/Chassis - continued

33S14, 35S14, 35C14		04/2016 -	100 kW	- continued			
	FT2051			Type: Daily 35S14P, Type: Daily 35S14, Spring Type: for leaf-spring suspension vehicles, Type: Daily 35C14	Fig2051		
33S16, 35S16, 35C16	04/2016 -	115 kW	FT2047			Type: Daily 35S16	Fig2047
			FT2051			Type: Daily 35S16, Spring Type: for leaf-spring suspension vehicles, Type: Daily 35C16	Fig2051
35S15, 35C15, 40C15, 50C15, 65C15, 70C15, 72C15	04/2016 -	110 kW	FT2051			Type: Daily 35C15, Spring Type: for leaf-spring suspension vehicles	Fig2051
35S18, 35C18, 40C18, 50C18, 65C18, 70C18, 72C18	04/2016 -	132 kW	FT2047			Type: Daily 35S18, Type: Daily 35S18P	Fig2047
			FT2051			Type: Daily 35S18P, Type: Daily 40C18, Spring Type: for leaf-spring suspension vehicles, Type: Daily 40C18P, Type: Daily 35C18, Spring Type: for leaf-spring suspension vehicles, Type: Daily 35C18P, Spring Type: for leaf-spring suspension vehicles, Type: Daily 35S18, Spring Type: for leaf-spring suspension vehicles	Fig2051
35S/E, 35C/E	09/2016 -	60 kW	FT2047				Fig2047
			FT2051				Fig2051

KIA

OPIRUS (GH)

3.5	09/2003 -	149 kW	FT2132			Construction year to: 09/2006	Fig2132
3.0 GH300	09/2003 -	138 kW	FT2132			Construction year to: 09/2006	Fig2132

RIO III (UB)

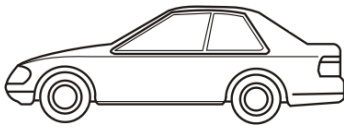
1.25 CVVT	09/2011 -	63 kW	FT2131			Brake Type: Disc Brake	Fig2131
1.4 CVVT	09/2011 -	80 kW	FT2131			Brake Type: Disc Brake	Fig2131
1.1 CRDi	09/2011 -	55 kW	FT2131			Brake Type: Disc Brake	Fig2131
1.4 CRDi	09/2011 -	66 kW	FT2131			Brake Type: Disc Brake	Fig2131
1.25 LPG	09/2011 -	63 kW	FT2131			Brake Type: Disc Brake	Fig2131
1.4 CVVT	09/2011 -	79 kW	FT2131			Brake Type: Disc Brake	Fig2131
1.2 CVVT	11/2014 -	62 kW	FT2131			Brake Type: Disc Brake	Fig2131
1.2	09/2011 -	51 kW	FT2131			Brake Type: Disc Brake	Fig2131

RIO III Hatchback Van (UB)

1.1 CRDi	09/2011 -	55 kW	FT2131			Brake Type: Disc Brake	Fig2131
1.2 CVVT	04/2015 -	63 kW	FT2131			Brake Type: Disc Brake	Fig2131
1.4 CRDi	04/2015 -	66 kW	FT2131			Brake Type: Disc Brake	Fig2131
1.4 CVVT	04/2015 -	80 kW	FT2131			Brake Type: Disc Brake	Fig2131

RIO III Saloon (UB)

1.25 CVVT	06/2011 -	65 kW	FT2131			Brake System: for vehicles with disc brakes on the rear axle	Fig2131
-----------	-----------	-------	------------------------	--	--	--	---------

**kW****Pic
Nr****KIA - continued****RIO III Saloon (UB) - continued**

1.4 CVVT	06/2011 -	79 kW	FT2131	↔		Type: UB, Brake Type: Disc Brake	Fig2131
1.25 CVVT	10/2011 -	63 kW	FT2131	↔		Brake System: for vehicles with disc brakes on the rear axle	Fig2131
1.4 CVVT	10/2011 -	80 kW	FT2131	↔		Type: UB, Brake Type: Disc Brake	Fig2131
1.2 CVVT	11/2014 -	64 kW	FT2131	↔		Brake Type: Disc Brake	Fig2131

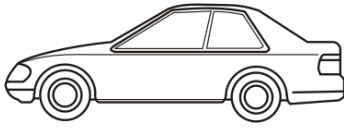
MAZDA**TRIBUTE (EP)**

3.0 V6 24V 4WD	03/2000 - 05/2008	145 kW	FT1635	←		Construction year from: 11/2000, Construction year to: 11/2003	Fig1635
2.0 4WD	03/2000 - 05/2008	91 kW	FT1635	←		Construction year from: 11/2000	Fig1635
2.0	03/2000 - 05/2008	91 kW	FT1635	←		Construction year from: 11/2000, Construction year to: 11/2003	Fig1635

MERCEDES-BENZ**C-CLASS SALOON (W204)**

C 250 CDI 4-matic (204.082)	01/2011 - 01/2014	150 kW	FT1483	↔			Fig1483
C 300 CDI 4-matic (204.092)	01/2011 - 01/2014	170 kW	FT1483	↔			Fig1483
C 350 4-matic (204.088)	01/2011 - 01/2014	225 kW	FT1483	↔			Fig1483
C 250 CDI 4-matic (204.282)	04/2010 - 08/2014	150 kW	FT1483	↔			Fig1483
C 350 4-matic (204.087)	07/2007 - 01/2014	200 kW	FT1483	↔		Construction year to: 12/2010	Fig1483
C 320 CDI 4-matic (204.089)	07/2007 - 01/2014	165 kW	FT1483	↔		Construction year to: 04/2009	Fig1483
C 320 CDI 4-matic (204.289)	08/2007 - 12/2011	165 kW	FT1483	↔		Construction year to: 04/2009	Fig1483
C 350 CDI 4-matic (204.089)	07/2009 - 01/2014	165 kW	FT1483	↔		Construction year to: 09/2009	Fig1483
C 300 4-matic (204.081)	07/2007 - 01/2014	170 kW	FT1483	↔		Construction year to: 08/2013	Fig1483
C 350 CDI (204.025)	10/2009 - 01/2014	170 kW	FT1483	↔		Construction year to: 01/2011	Fig1483
C 350 CDI 4-matic (204.092)	10/2009 - 01/2014	170 kW	FT1483	↔			Fig1483
C 350 CDI (204.225)	10/2009 - 08/2014	170 kW	FT1483	↔		Construction year to: 01/2011	Fig1483
C 350 CDI 4-matic (204.292)	10/2009 - 08/2014	170 kW	FT1483	↔			Fig1483
C 350 CDI (204.225)	08/2007 - 08/2014	165 kW	FT1483	↔		Construction year from: 10/2009, Construction year to: 01/2011	Fig1483
C 220 CDI 4-matic (204.084)	02/2013 - 01/2014	125 kW	FT1483	↔			Fig1483
C 220 CDI 4-matic (204.284)	02/2013 - 08/2014	125 kW	FT1483	↔			Fig1483
C 300 4-matic (204.080)	02/2011 - 01/2014	185 kW	FT1483	↔			Fig1483
C 350 CDI 4-matic (204.289)	08/2007 - 12/2011	165 kW	FT1483	↔		Construction year to: 10/2009	Fig1483
C 300 CDI 4-matic (204.292)	06/2011 - 08/2014	170 kW	FT1483	↔		Construction year from: 09/2011	Fig1483

E-CLASS Coupe (C207)



kW



Pic
Nr

MERCEDES-BENZ - continued

E-CLASS Coupe (C207) - continued

E 350 4-matic (207.388)	02/2013 - 12/2016	225 kW	FT1483	↔		Construction year to: 12/2015	Fig1483
-------------------------	-------------------	--------	------------------------	---	--	-------------------------------	---------

GLK-CLASS (X204)

350 (204.956)	04/2009 - 06/2015	200 kW	FT1482	↔			Fig1482
350 4-matic (204.988)	06/2008 - 06/2015	225 kW	FT1482	↔			Fig1482
350 CDI 4-matic (204.992)	02/2010 - 06/2015	170 kW	FT1482	↔		Construction year to: 03/2012	Fig1482
250 4-matic (204.937)	08/2013 - 06/2015	155 kW	FT1482	↔			Fig1482
280 4-matic (204.981)	06/2008 - 06/2009	170 kW	FT1482	↔		Construction year to: 04/2009	Fig1482
350 4-matic (204.987)	06/2008 - 04/2011	200 kW	FT1482	↔			Fig1482
320 CDI 4-matic (204.983)	06/2008 - 06/2015	165 kW	FT1482	↔		Construction year to: 04/2009	Fig1482
220 CDI (204.902)	12/2008 - 06/2015	125 kW	FT1482	↔		Construction year from: 04/2009	Fig1482
220 CDI 4-matic (204.984, 204.997)	12/2008 - 06/2015	125 kW	FT1482	↔			Fig1482
250 CDI 4-matic (204.982, 204.904)	09/2009 - 06/2015	150 kW	FT1482	↔			Fig1482
300 4-matic (204.981)	07/2009 - 12/2015	170 kW	FT1482	↔		Construction year to: 12/2012	Fig1482
350 CDI 4-matic (204.992)	07/2009 - 01/2010	165 kW	FT1482	↔			Fig1482
220 CDI (204.902)	12/2008 - 06/2015	120 kW	FT1482	↔		Construction year from: 04/2009	Fig1482
220 CDI 4-matic (204.984)	12/2008 - 06/2015	120 kW	FT1482	↔			Fig1482
200 CDI (204.901)	07/2010 - 06/2015	105 kW	FT1482	↔			Fig1482
250 (204.936)	08/2013 - 06/2015	155 kW	FT1482	↔			Fig1482
200 (204.934)	08/2013 - 06/2015	135 kW	FT1482	↔			Fig1482
350 CDI 4-matic (204.993)	07/2012 - 06/2015	195 kW	FT1482	↔			Fig1482
200 CDI (204.901)	12/2013 - 06/2015	100 kW	FT1482	↔			Fig1482
300 4-matic (204.990)	09/2009 - 06/2015	185 kW	FT1482	↔		Construction year to: 12/2013	Fig1482

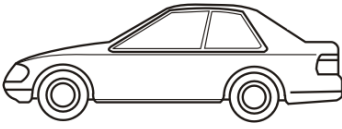
MINI

MINI (F55)

Cooper D	10/2013 -	85 kW	FT2087	↔			Fig2087
Cooper	09/2013 -	100 kW	FT2087	↔		Construction year from: 12/2013	Fig2087
Cooper S	09/2013 -	141 kW	FT2087	↔		Construction year from: 12/2013	Fig2087
Cooper SD	09/2013 -	125 kW	FT2087	↔		Construction year from: 06/2014	Fig2087
One	05/2014 - 10/2017	75 kW	FT2087	↔			Fig2087
One D	02/2014 -	70 kW	FT2087	↔			Fig2087
One First	06/2014 - 10/2017	55 kW	FT2087	↔			Fig2087
Cooper S	09/2013 -	120 kW	FT2087	↔			Fig2087
Cooper SD	09/2013 -	120 kW	FT2087	↔			Fig2087
Cooper S JCW	09/2013 -	155 kW	FT2087	↔		Construction year from: 10/2014	Fig2087
One	11/2017 -	75 kW	FT2087	↔			Fig2087
One First	11/2017 -	55 kW	FT2087	↔			Fig2087

MINI (F56)

Cooper D	12/2013 -	85 kW	FT2087	↔			Fig2087
Cooper	12/2013 -	100 kW	FT2087	↔			Fig2087
Cooper S	12/2013 -	141 kW	FT2087	↔			Fig2087
One D	03/2014 -	70 kW	FT2087	↔			Fig2087
One	04/2014 - 10/2017	75 kW	FT2087	↔			Fig2087
Cooper SD	06/2014 -	125 kW	FT2087	↔			Fig2087
One First	07/2014 - 10/2017	55 kW	FT2087	↔			Fig2087
John Cooper Works	03/2015 -	170 kW	FT2087	↔			Fig2087
Cooper S	11/2014 -	120 kW	FT2087	↔			Fig2087



kW

Pic
Nr

MINI - continued

MINI (F56) - continued

Cooper SD	06/2014 -	120 kW	FT2087	↔			Fig2087
Cooper S JCW	12/2013 -	155 kW	FT2087	↔		Construction year from: 10/2014	Fig2087
One	11/2017 -	75 kW	FT2087	↔			Fig2087
One First	11/2017 -	55 kW	FT2087	↔			Fig2087

MINI Convertible (F57)

Cooper	11/2014 -	100 kW	FT2087	↔		Construction year from: 11/2015	Fig2087
Cooper S	11/2014 -	141 kW	FT2087	↔		Construction year from: 11/2015	Fig2087
Cooper D	12/2014 -	85 kW	FT2087	↔		Construction year from: 11/2015	Fig2087
John Cooper Works	05/2015 -	170 kW	FT2087	↔		Construction year from: 03/2016	Fig2087
Cooper SD	05/2015 -	125 kW	FT2087	↔		Construction year from: 03/2016	Fig2087
One	06/2015 - 10/2017	75 kW	FT2087	↔		Construction year from: 03/2016	Fig2087
Cooper S	11/2014 -	120 kW	FT2087	↔			Fig2087
Cooper SD	05/2015 -	120 kW	FT2087	↔			Fig2087
Cooper S JCW	11/2014 -	155 kW	FT2087	↔		Construction year from: 11/2015	Fig2087
One	11/2017 -	75 kW	FT2087	↔			Fig2087

OPEL

ASTRA J (P10)

2.0 BiTurbo CDTI (68)	09/2012 - 10/2015	143 kW	FT1609	→		Construction year from: 12/2012	Fig1609
			FT1610	←		Construction year from: 12/2012	Fig1610

ASTRA J Coupe

2.0 (08)	04/2012 -	206 kW	FT1609	→			Fig1609
			FT1610	←			Fig1610
2.0 BiTurbo CDTI (08)	10/2012 - 10/2015	143 kW	FT1609	→			Fig1609
			FT1610	←			Fig1610

ASTRA J Sports Tourer (P10)

2.0 BiTurbo CDTI (35)	09/2012 - 10/2015	143 kW	FT1609	→		Construction year from: 12/2012	Fig1609
			FT1610	←		Construction year from: 12/2012	Fig1610

CORSA D HATCH

1.6 Turbo (L08, L68)	06/2011 - 08/2014	155 kW	FT2026	↔			Fig2026
----------------------	-------------------	--------	------------------------	---	--	--	---------

CORSA E (X15)

1.6 Turbo (08, 68)	03/2015 -	152 kW	FT2026	↔		for POC: J7A	Fig2026
--------------------	-----------	--------	------------------------	---	--	--------------	---------

CROSSLAND X (P17)

1.2 (75)	03/2017 -	96 kW	FT2027	↔		Type: Crossland X, Type: Crossland X	Fig2027
1.6 Turbo D (75)	03/2017 -	73 kW	FT2027	↔			Fig2027
1.2 LPG (75)	10/2017 -	60 kW	FT2027	↔			Fig2027
1.5 Turbo D (75)	06/2018 -	75 kW	FT2027	↔			Fig2027
1.2	07/2019 -	61 kW	FT2027	↔		Type: Crossland X	Fig2027

INSIGNIA B Country Tourer (Z18)

1.5 (47)	06/2017 -	121 kW	FT1927	↔		for POC: GNC, Chassis number to: L1999999	Fig1927
			FT1928	←		Chassis number to: J1177489, for POC: J17/J61, Rim Size [in]: 17	Fig1928
			FT1929	→		Rim Size [in]: 17, for POC: J17/J61, Chassis number to: J1177489	Fig1929
2.0 CDTi (47)	06/2017 -	125 kW	FT1927	↔		for POC: GNC, Chassis number to: L1999999	Fig1927



kW



Pic
Nr

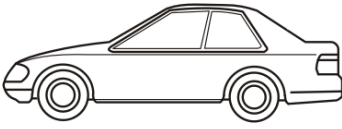
OPEL - continued

INSIGNIA B Country Tourer (Z18) - continued

2.0 CDTi (47)	06/2017 -	125 kW	- continued				
			FT1928	←		Chassis number to: J1177489, for POC: J17/J61, Rim Size [in]: 17	Fig1928
			FT1929	→		Rim Size [in]: 17, for POC: J17/J61, Chassis number to: J1177489	Fig1929
2.0 CDTi 4x4 (47)	06/2017 -	125 kW	FT1928	←		Rim Size [in]: 17, for POC: J17/J61, Chassis number to: J1177489	Fig1928
			FT1929	→		Rim Size [in]: 17, for POC: J17/J61, Chassis number to: J1177489	Fig1929
1.6 Turbo (47)	06/2018 -	147 kW	FT1927	↔		for POC: GNC, Chassis number to: L1999999	Fig1927
			FT1928	←		Chassis number to: J1177489, for POC: J17/J61, Rim Size [in]: 17	Fig1928
			FT1929	→		Rim Size [in]: 17, for POC: J17/J61, Chassis number to: J1177489	Fig1929

INSIGNIA B Grand Sport (Z18)

1.5 (68)	03/2017 -	103 kW	FT1927	↔		for POC: GNC, Chassis number to: L1999999	Fig1927
			FT1928	←		Chassis number to: J1177489, for POC: J17/J61, Rim Size [in]: 17	Fig1928
			FT1929	→		Rim Size [in]: 17, for POC: J17/J61, Chassis number to: J1177489	Fig1929
1.5 (68)	03/2017 -	121 kW	FT1927	↔		for POC: GNC, Chassis number to: L1999999	Fig1927
			FT1928	←		Chassis number to: J1177489, for POC: J17/J61, Rim Size [in]: 17	Fig1928
			FT1929	→		Rim Size [in]: 17, for POC: J17/J61, Chassis number to: J1177489	Fig1929
1.6 CDTi (68)	03/2017 -	81 kW	FT1927	↔		for POC: GNC, Chassis number to: L1999999	Fig1927
			FT1928	←		Chassis number to: J1177489, for POC: J17/J61, Rim Size [in]: 17	Fig1928
			FT1929	→		Rim Size [in]: 17, for POC: J17/J61, Chassis number to: J1177489	Fig1929
1.6 CDTi (68)	03/2017 -	100 kW	FT1927	↔		for POC: GNC, Chassis number to: L1999999	Fig1927
			FT1928	←		Chassis number to: J1177489, for POC: J17/J61, Rim Size [in]: 17	Fig1928
			FT1929	→		Rim Size [in]: 17, for POC: J17/J61, Chassis number to: J1177489	Fig1929
2.0 CDTi (68)	03/2017 -	125 kW	FT1927	↔		for POC: GNC, Chassis number to: L1999999	Fig1927
			FT1928	←		Chassis number to: J1177489, for POC: J17/J61, Rim Size [in]: 17	Fig1928
			FT1929	→		Rim Size [in]: 17, for POC: J17/J61, Chassis number to: J1177489	Fig1929
2.0 CDTi 4x4 (68)	03/2017 -	125 kW	FT1928	←		Rim Size [in]: 17, for POC: J17/J61, Chassis number to: J1177489	Fig1928



kW



Pic
Nr

OPEL - continued

INSIGNIA B Grand Sport (Z18) - continued

2.0 CDTi 4x4 (68)	03/2017 -	125 kW	- continued					
				FT1929	→		Rim Size [in]: 17, for POC: J17/J61, Chassis number to: J1177489	Fig1929
1.6 Turbo (68)	06/2018 -	147 kW		FT1927	↔		for POC: GNC, Chassis number to: L1999999	Fig1927
				FT1928	←		Chassis number to: J1177489, for POC: J17/J61, Rim Size [in]: 17	Fig1928
				FT1929	→		Rim Size [in]: 17, for POC: J17/J61, Chassis number to: J1177489	Fig1929

INSIGNIA B Sports Tourer (Z18)

1.5 (35)	03/2017 -	103 kW		FT1927	↔		for POC: GNC, Chassis number to: L1999999	Fig1927
				FT1928	←		Chassis number to: J1177489, for POC: J17/J61, Rim Size [in]: 17	Fig1928
				FT1929	→		Rim Size [in]: 17, for POC: J17/J61, Chassis number to: J1177489	Fig1929
1.5 (35)	03/2017 -	121 kW		FT1927	↔		for POC: GNC, Chassis number to: L1999999	Fig1927
				FT1928	←		Chassis number to: J1177489, for POC: J17/J61, Rim Size [in]: 17	Fig1928
				FT1929	→		Rim Size [in]: 17, for POC: J17/J61, Chassis number to: J1177489	Fig1929
1.6 CDTi (35)	03/2017 -	81 kW		FT1927	↔		for POC: GNC, Chassis number to: L1999999	Fig1927
				FT1928	←		Chassis number to: J1177489, for POC: J17/J61, Rim Size [in]: 17	Fig1928
				FT1929	→		Rim Size [in]: 17, for POC: J17/J61, Chassis number to: J1177489	Fig1929
1.6 CDTi (35)	03/2017 -	100 kW		FT1927	↔		for POC: GNC, Chassis number to: L1999999	Fig1927
				FT1928	←		Chassis number to: J1177489, for POC: J17/J61, Rim Size [in]: 17	Fig1928
				FT1929	→		Rim Size [in]: 17, for POC: J17/J61, Chassis number to: J1177489	Fig1929
2.0 CDTi (35)	03/2017 -	125 kW		FT1927	↔		for POC: GNC, Chassis number to: L1999999	Fig1927
				FT1928	←		Chassis number to: J1177489, for POC: J17/J61, Rim Size [in]: 17	Fig1928
				FT1929	→		Rim Size [in]: 17, for POC: J17/J61, Chassis number to: J1177489	Fig1929
2.0 CDTi 4x4 (35)	03/2017 -	125 kW		FT1928	←		Rim Size [in]: 17, for POC: J17/J61, Chassis number to: J1177489	Fig1928
				FT1929	→		Rim Size [in]: 17, for POC: J17/J61, Chassis number to: J1177489	Fig1929
1.6 Turbo (35)	06/2018 -	147 kW		FT1927	↔		for POC: GNC, Chassis number to: L1999999	Fig1927
				FT1928	←		Chassis number to: J1177489, for POC: J17/J61, Rim Size [in]: 17	Fig1928



kW

Pic
Nr

OPEL - continued

INSIGNIA B Sports Tourer (Z18) - continued

1.6 Turbo (35)	06/2018 -	147 kW	- continued	FT1929	→		Rim Size [in]: 17, for POC: J17/J61, Chassis number to: J1177489	Fig1929
----------------	-----------	--------	-------------	------------------------	---	--	---	---------

INSIGNIA B Sports Tourer Combi Van (Z18)

CDTi ECOTEC	03/2017 -	100 kW		FT1927	↔		for POC: GNC, Chassis number to: L1999999	Fig1927
				FT1928	←		Chassis number to: J1177489, for POC: J17/J61, Rim Size [in]: 17	Fig1928
				FT1929	→		Rim Size [in]: 17, for POC: J17/J61, Chassis number to: J1177489	Fig1929

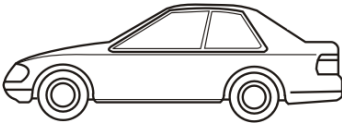
ZAFIRA TOURER C (P12)

1.4 (75)	10/2011 -	88 kW	FT1952	→		Rim Size [in]: 17, for brake disc diameter [mm]: 321, for POC: J61, Rim Size [in]: 17, for brake disc diameter [mm]: 321, for POC: J61	Fig1952
1.8 (75)	10/2011 -	103 kW	FT1952	→		Rim Size [in]: 17, for brake disc diameter [mm]: 321, for POC: J61	Fig1952
2.0 CDTi (75)	10/2011 -	121 kW	FT1952	→		Rim Size [in]: 17, for brake disc diameter [mm]: 321, for POC: J61, Rim Size [in]: 17, for brake disc diameter [mm]: 321, for POC: J61, Rim Size [in]: 17, for brake disc diameter [mm]: 321, for POC: J61	Fig1952
1.8 (75)	10/2011 -	85 kW	FT1952	→		Rim Size [in]: 17, for brake disc diameter [mm]: 321, for POC: J61	Fig1952
1.6 CNG (75)	10/2011 -	110 kW	FT1952	→		Rim Size [in]: 17, for brake disc diameter [mm]: 321, for POC: J61	Fig1952
1.6 SIDI (75)	07/2013 -	147 kW	FT1952	→		Rim Size [in]: 17, for brake disc diameter [mm]: 321, for POC: J61	Fig1952
1.4 LPG (75)	10/2011 -	103 kW	FT1952	→		Rim Size [in]: 17, for brake disc diameter [mm]: 321, for POC: J61	Fig1952
2.0 BiTurbo CDTi (75)	01/2013 -	143 kW	FT1952	→		Rim Size [in]: 17, for brake disc diameter [mm]: 321, for POC: J61	Fig1952
1.6 (75)	12/2012 -	125 kW	FT1952	→		Rim Size [in]: 17, for brake disc diameter [mm]: 321, for POC: J61	Fig1952
1.6 CDTi (75)	02/2013 -	100 kW	FT1952	→		Rim Size [in]: 17, for brake disc diameter [mm]: 321, for POC: J61, Rim Size [in]: 17, for brake disc diameter [mm]: 321, for POC: J61	Fig1952
2.0 CDTi (75)	01/2015 -	125 kW	FT1952	→		Rim Size [in]: 17, for brake disc diameter [mm]: 321, for POC: J61	Fig1952
1.6 CDTi (75)	11/2016 -	99 kW	FT1952	→		Rim Size [in]: 17, for brake disc diameter [mm]: 321, for POC: J61	Fig1952
1.6 (75)	09/2018 -	100 kW	FT1952	→		Rim Size [in]: 17, for brake disc diameter [mm]: 321, for POC: J61	Fig1952

PORSCHE

TAYCAN (Y1A)

4S	05/2019 -	390 kW	FT0949	↔		Required quantity: 2	Fig0949
----	-----------	--------	------------------------	---	--	----------------------	---------



kW



Pic
Nr

PORSCHE - continued

TAYCAN (Y1A) - continued

Turbo	05/2019 -	500 kW	FT0949	↔		Required quantity: 2	Fig0949
Turbo S	05/2019 -	560 kW	FT0949	↔		Required quantity: 2	Fig0949

RENAULT

LAGUNA MK 3 COUPE

3.0 dCi	01/2012 - 12/2015	177 kW	FT0932	↔		Required quantity: 2	Fig0932
3.0 dCi (DT03)	09/2008 - 12/2015	173 kW	FT0932	↔		Required quantity: 2	Fig0932
2.0 16V Turbo	09/2008 - 12/2015	125 kW	FT0932	↔		Required quantity: 2	Fig0932
2.0 dCi (DT0M, DT0N, DT0S, DT19, DT1F)	09/2008 - 12/2015	127 kW	FT0932	↔		Required quantity: 2	Fig0932
3.5 V6 (DT0P)	09/2008 - 12/2015	175 kW	FT0932	↔		Required quantity: 2	Fig0932
2.0 GT	09/2008 - 12/2015	150 kW	FT0932	↔		Required quantity: 2	Fig0932
2.0 dCi (DT01, DT08, DT09, DT0K, DT12, DT1C, DT1D, DT1M,...)	09/2008 - 12/2015	110 kW	FT0932	↔		Required quantity: 2	Fig0932
2.0 dCi GT (DT11, DT1E, DT1N)	09/2008 - 12/2015	131 kW	FT0932	↔		Required quantity: 2	Fig0932
1.5 dCi	03/2012 - 12/2015	81 kW	FT0932	↔		Required quantity: 2	Fig0932

LAGUNA MK 3 ESTATE (KT0/1_)

3.5 V6 (KT0C, KT0P)	04/2008 - 12/2015	175 kW	FT0932	↔		Required quantity: 2	Fig0932
2.0 16V (KT0F, KT0W)	10/2007 - 12/2015	103 kW	FT0932	↔		Required quantity: 2	Fig0932
2.0 16V Turbo	10/2007 - 12/2015	125 kW	FT0932	↔		Required quantity: 2	Fig0932
1.5 dCi (KT0A)	10/2007 - 12/2015	81 kW	FT0932	↔		Required quantity: 2	Fig0932
2.0 dCi (KT07, KT0J, KT14, KT1A, KT1S)	10/2007 - 12/2015	96 kW	FT0932	↔		Required quantity: 2	Fig0932
2.0 dCi (KT01, KT08, KT09, KT0K, KT12, KT1D, KT1W)	10/2007 - 12/2015	110 kW	FT0932	↔		Required quantity: 2	Fig0932
2.0 GT	03/2008 - 12/2015	150 kW	FT0932	↔		Required quantity: 2	Fig0932
2.0 dCi GT (KT11, KT1E, KT1N)	03/2008 - 12/2015	131 kW	FT0932	↔		Required quantity: 2	Fig0932
2.0 dCi (KT0M, KT0N, KT0S, KT19, KT1F)	01/2008 - 12/2015	127 kW	FT0932	↔		Required quantity: 2	Fig0932
1.6 16V (KT0D)	10/2007 - 12/2015	81 kW	FT0932	↔		Required quantity: 2	Fig0932
3.0 dCi (KT03, KT13)	09/2008 - 12/2015	173 kW	FT0932	↔		Required quantity: 2	Fig0932
2.0 16V Hi-Flex (KT1H)	10/2007 - 12/2015	103 kW	FT0932	↔		Required quantity: 2	Fig0932

LAGUNA MK 3 HATCH (BT0/1_)

3.5 V6 (BT0C, BT0P)	04/2008 - 12/2015	175 kW	FT0932	↔		Required quantity: 2	Fig0932
2.0 16V (BT05, BT0F, BT0W)	10/2007 - 12/2012	103 kW	FT0932	↔		Required quantity: 2	Fig0932
2.0 16V Turbo	10/2007 - 12/2015	125 kW	FT0932	↔		Required quantity: 2	Fig0932
1.5 dCi (BT00, BT0A, BT0T, BT1J)	10/2007 - 12/2015	81 kW	FT0932	↔		Required quantity: 2	Fig0932
2.0 dCi (BT07, BT0J, BT14, BT1A, BT1S)	10/2007 - 12/2015	96 kW	FT0932	↔		Required quantity: 2	Fig0932
2.0 dCi (BT01, BT08, BT09, BT0E, BT0K, BT12, BT1C, BT1D,...)	10/2007 - 12/2015	110 kW	FT0932	↔		Required quantity: 2	Fig0932
2.0 GT	03/2008 - 12/2015	150 kW	FT0932	↔		Required quantity: 2	Fig0932



kW



Pic
Nr

RENAULT - continued

LAGUNA MK 3 HATCH (BT0/1_) - continued

2.0 dCi GT (BT11, BT1E, BT1N)	03/2008 - 12/2015	131 kW	FT0932	↔ ↔		Required quantity: 2	Fig0932
2.0 dCi (BT0M, BT0N, BT0S, BT19, BT1F)	01/2008 - 12/2015	127 kW	FT0932	↔ ↔		Required quantity: 2	Fig0932
1.6 16V (BT04, BT0D, BT0U)	10/2007 - 12/2015	81 kW	FT0932	↔ ↔		Required quantity: 2	Fig0932
3.0 dCi (BT03, BT13)	09/2008 - 12/2015	173 kW	FT0932	↔ ↔		Required quantity: 2	Fig0932
2.0 16V Hi-Flex (BT1H)	10/2007 - 12/2015	103 kW	FT0932	↔ ↔		Required quantity: 2	Fig0932

SEAT

ARONA (KJ7)

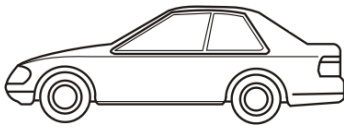
1.0 TSI	07/2017 -	70 kW	FT2029	↔ ↔		Fitting Position: inner	Fig2029
			FT2032	↔ ↔			Fig2032
1.0 TSI	07/2017 -	85 kW	FT2029	↔ ↔		Fitting Position: inner	Fig2029
			FT2032	↔ ↔			Fig2032
1.5 TSI	07/2017 -	110 kW	FT2029	↔ ↔		Fitting Position: inner, for PR number: 1KA, for PR number: 1KG	Fig2029
			FT2032	↔ ↔			Fig2032
1.6 TDI	07/2017 -	85 kW	FT2029	↔ ↔		Fitting Position: inner	Fig2029
			FT2032	↔ ↔			Fig2032
1.6 TDI	11/2017 -	70 kW	FT2029	↔ ↔		Fitting Position: inner, for PR number: 1KA, for PR number: 1KG	Fig2029
			FT2032	↔ ↔			Fig2032
1.6 SRE	07/2017 -	81 kW	FT2029	↔ ↔		Fitting Position: inner	Fig2029
			FT2032	↔ ↔			Fig2032
1.0 TGi	11/2018 -	66 kW	FT2029	↔ ↔		Fitting Position: inner	Fig2029
			FT2032	↔ ↔			Fig2032

IBIZA MK 4 HATCH (6L1)

1.8 T Cupra R	01/2004 - 02/2008	132 kW	FT2030	↔ ↔			Fig2030
1.9 TDI Cupra R	03/2004 - 02/2008	118 kW	FT2030	↔ ↔			Fig2030

IBIZA Mk V (KJ1)

1.0	01/2017 -	55 kW	FT2029	↔ ↔		Fitting Position: inner, for PR number: 1KA, for PR number: 1KG	Fig2029
			FT2032	↔ ↔			Fig2032
1.0 TSI	01/2017 -	70 kW	FT2029	↔ ↔		Fitting Position: inner, for PR number: 1KA, for PR number: 1KG	Fig2029
			FT2032	↔ ↔			Fig2032
1.0 TSI	01/2017 -	85 kW	FT2029	↔ ↔		Fitting Position: inner, for PR number: 1KA, for PR number: 1KG	Fig2029
			FT2032	↔ ↔			Fig2032
1.6	05/2017 -	81 kW	FT2029	↔ ↔		Fitting Position: inner	Fig2029
			FT2032	↔ ↔			Fig2032
1.0	07/2017 -	48 kW	FT2029	↔ ↔		Fitting Position: inner, for PR number: 1KA, for PR number: 1KG	Fig2029
			FT2032	↔ ↔			Fig2032
1.5 TSI	07/2017 -	110 kW	FT2029	↔ ↔		Fitting Position: inner, for PR number: 1KA, for PR number: 1KG	Fig2029
			FT2032	↔ ↔			Fig2032



kW

Pic
Nr

SEAT - continued

IBIZA Mk V (KJ1) - continued

1.6 TDI	09/2017 -	70 kW	FT2029			Fitting Position: inner, for PR number: 1KA, for PR number: 1KG	Fig2029
			FT2032				Fig2032
1.6 TDI	11/2017 -	59 kW	FT2029			Fitting Position: inner, for PR number: 1KA, for PR number: 1KG	Fig2029
			FT2032				Fig2032
1.0 TGI	11/2017 -	66 kW	FT2029			Fitting Position: inner, for PR number: 1KA, for PR number: 1KG	Fig2029
			FT2032				Fig2032
1.6 TDI	12/2017 -	85 kW	FT2029			Fitting Position: inner	Fig2029
			FT2032				Fig2032
1.0 MPi	07/2018 -	59 kW	FT2029			Fitting Position: inner	Fig2029
			FT2032				Fig2032

LEON MK 1 HATCH (1M1)

1.8 T Cupra R	02/2002 - 06/2006	154 kW	FT2031			Construction year from: 05/2002, Construction year to: 05/2003	Fig2031
---------------	-------------------	--------	------------------------	--	--	---	---------

SKODA

KAMIQ (NW4)

1.0 TSI	07/2019 -	70 kW	FT2029			Fitting Position: inner	Fig2029
			FT2032				Fig2032
1.0 TSI	07/2019 -	85 kW	FT2029			Fitting Position: inner	Fig2029
			FT2032				Fig2032
1.6 TDI	07/2019 -	85 kW	FT2029			Fitting Position: inner	Fig2029
			FT2032				Fig2032
1.5 TSI	07/2019 -	110 kW	FT2029			Fitting Position: inner	Fig2029
			FT2032				Fig2032
1.0 TGI CNG	11/2019 -	66 kW	FT2029			Fitting Position: inner	Fig2029
			FT2032				Fig2032

SCALA

1.0 TSI	02/2019 -	85 kW	FT2029				Fig2029
			FT2032				Fig2032
1.5 TSI	02/2019 -	110 kW	FT2029				Fig2029
			FT2032				Fig2032
1.6 TDI	02/2019 -	85 kW	FT2029				Fig2029
			FT2032				Fig2032
1.0 TSI	02/2019 -	70 kW	FT2029				Fig2029
			FT2032				Fig2032
1.0 TGI CNG	11/2019 -	66 kW	FT2029			Fitting Position: inner	Fig2029
			FT2032				Fig2032

TOYOTA

SUPRA (DB_)

3.0 GR (DB41, DB42, DB43)	03/2019 -	250 kW	FT2090				Fig2090
2.0 (DB22, DB21)	06/2019 -	190 kW	FT2090				Fig2090
2.0 (DB82, DB81)	06/2019 -	145 kW	FT2090				Fig2090

VAUXHALL

ASTRA Mk VI (J) (P10)



kW



Pic
Nr

VAUXHALL - continued

ASTRA Mk VI (J) (P10) - continued

2.0 BiTurbo CDTI	12/2012 - 10/2015	143 kW	FT1609	→			Fig1609
			FT1610	←			Fig1610

ASTRA Mk VI (J) Estate (P10)

2.0 BiTurbo CDTI	12/2012 - 10/2015	143 kW	FT1609	→			Fig1609
			FT1610	←			Fig1610

ASTRA Mk VI (J) GTC (P10)

2.0 VXR	04/2012 -	206 kW	FT1609	→			Fig1609
			FT1610	←			Fig1610
2.0 BiTurbo CDTI	12/2012 - 10/2015	143 kW	FT1609	→			Fig1609
			FT1610	←			Fig1610

CORSA HATCH MK3

1.6 VXR (L08)	06/2011 - 08/2014	150 kW	FT2026	↔		Construction year to: 12/2011	Fig2026
---------------	-------------------	--------	------------------------	---	--	-------------------------------	---------

CORSA Mk IV (E) (X15)

1.6 VXR	04/2015 -	151 kW	FT2026	↔		for POC: J7A	Fig2026
---------	-----------	--------	------------------------	---	--	--------------	---------

CROSSLAND X (P17)

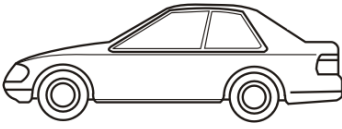
1.2 (75)	03/2017 -	60 kW	FT2027	↔			Fig2027
1.6 Turbo D (75)	03/2017 -	73 kW	FT2027	↔			Fig2027
1.5 Turbo D (75)	06/2018 -	75 kW	FT2027	↔			Fig2027

INSIGNIA Mk II (B) Country Tourer (Z18)

2.0 D (47)	03/2017 -	125 kW	FT1927	↔		for POC: GNC, Chassis number to: L1999999	Fig1927
			FT1928	←		Chassis number to: J1177489, for POC: J17/J61, Rim Size [in]: 17	Fig1928
			FT1929	→		Rim Size [in]: 17, for POC: J17/J61, Chassis number to: J1177489	Fig1929
2.0 D 4x4 (47)	09/2017 -	125 kW	FT1928	←		Rim Size [in]: 17, for POC: J17/J61, Chassis number to: J1177489	Fig1928
			FT1929	→		Rim Size [in]: 17, for POC: J17/J61, Chassis number to: J1177489	Fig1929

INSIGNIA Mk II (B) Hatchback (Z18)

1.5 (68)	03/2017 -	103 kW	FT1927	↔		for POC: GNC, Chassis number to: L1999999	Fig1927
			FT1928	←		Chassis number to: J1177489, for POC: J17/J61, Rim Size [in]: 17	Fig1928
			FT1929	→		Rim Size [in]: 17, for POC: J17/J61, Chassis number to: J1177489	Fig1929
1.5 (68)	03/2017 -	121 kW	FT1927	↔		for POC: GNC, Chassis number to: L1999999	Fig1927
			FT1928	←		Chassis number to: J1177489, for POC: J17/J61, Rim Size [in]: 17	Fig1928
			FT1929	→		Rim Size [in]: 17, for POC: J17/J61, Chassis number to: J1177489	Fig1929
1.6 D (68)	03/2017 -	81 kW	FT1927	↔		for POC: GNC, Chassis number to: L1999999	Fig1927
			FT1928	←		Chassis number to: J1177489, for POC: J17/J61, Rim Size [in]: 17	Fig1928



kW



Pic
Nr

VAUXHALL - continued

INSIGNIA Mk II (B) Hatchback (Z18) - continued

1.6 D (68)		03/2017 -		81 kW - continued				
				FT1929	→		Rim Size [in]: 17, for POC: J17/J61, Chassis number to: J1177489	Fig1929
1.6 D (68)	03/2017 -	100 kW		FT1927	↔		for POC: GNC, Chassis number to: L1999999	Fig1927
				FT1928	←		Chassis number to: J1177489, for POC: J17/J61, Rim Size [in]: 17	Fig1928
				FT1929	→		Rim Size [in]: 17, for POC: J17/J61, Chassis number to: J1177489	Fig1929
2.0 D (68)	03/2017 -	125 kW		FT1927	↔		for POC: GNC, Chassis number to: L1999999	Fig1927
				FT1928	←		Chassis number to: J1177489, for POC: J17/J61, Rim Size [in]: 17	Fig1928
				FT1929	→		Rim Size [in]: 17, for POC: J17/J61, Chassis number to: J1177489	Fig1929
1.6 Turbo (68)	06/2018 -	147 kW		FT1927	↔		for POC: GNC, Chassis number to: L1999999	Fig1927
				FT1928	←		Chassis number to: J1177489, for POC: J17/J61, Rim Size [in]: 17	Fig1928
				FT1929	→		Rim Size [in]: 17, for POC: J17/J61, Chassis number to: J1177489	Fig1929

INSIGNIA Mk II (B) Sports Tourer (Z18)

1.5 (35)	03/2017 -	103 kW		FT1927	↔		for POC: GNC, Chassis number to: L1999999	Fig1927
				FT1928	←		Chassis number to: J1177489, for POC: J17/J61, Rim Size [in]: 17	Fig1928
				FT1929	→		Rim Size [in]: 17, for POC: J17/J61, Chassis number to: J1177489	Fig1929
1.5 (35)	03/2017 -	121 kW		FT1927	↔		for POC: GNC, Chassis number to: L1999999	Fig1927
				FT1928	←		Chassis number to: J1177489, for POC: J17/J61, Rim Size [in]: 17	Fig1928
				FT1929	→		Rim Size [in]: 17, for POC: J17/J61, Chassis number to: J1177489	Fig1929
2.0 D (35)	03/2017 -	125 kW		FT1927	↔		for POC: GNC, Chassis number to: L1999999	Fig1927
				FT1928	←		Chassis number to: J1177489, for POC: J17/J61, Rim Size [in]: 17	Fig1928
				FT1929	→		Rim Size [in]: 17, for POC: J17/J61, Chassis number to: J1177489	Fig1929
1.6 D (35)	03/2017 -	81 kW		FT1927	↔		for POC: GNC, Chassis number to: L1999999	Fig1927
				FT1928	←		Chassis number to: J1177489, for POC: J17/J61, Rim Size [in]: 17	Fig1928
				FT1929	→		Rim Size [in]: 17, for POC: J17/J61, Chassis number to: J1177489	Fig1929
1.6 D (35)	03/2017 -	100 kW		FT1927	↔		for POC: GNC, Chassis number to: L1999999	Fig1927



kW



Pic Nr

VAUXHALL - continued

INSIGNIA Mk II (B) Sports Tourer (Z18) - continued

1.6 D (35)	03/2017 -	100 kW	- continued				
			FT1928	←		Chassis number to: J1177489, for POC: J17/J61, Rim Size [in]: 17	Fig1928
			FT1929	→		Rim Size [in]: 17, for POC: J17/J61, Chassis number to: J1177489	Fig1929
1.6 Turbo (35)	06/2018 -	147 kW	FT1927	↔		for POC: GNC, Chassis number to: L1999999	Fig1927
			FT1928	←		Chassis number to: J1177489, for POC: J17/J61, Rim Size [in]: 17	Fig1928
			FT1929	→		Rim Size [in]: 17, for POC: J17/J61, Chassis number to: J1177489	Fig1929

ZAFIRA Mk III (P12)

1.4 (75)	10/2011 - 08/2018	88 kW	FT1952	→		Rim Size [in]: 17, for brake disc diameter [mm]: 321, for POC: J61, Rim Size [in]: 17, for brake disc diameter [mm]: 321, for POC: J61	Fig1952
1.6 CNG (75)	10/2011 - 08/2018	110 kW	FT1952	→		Construction year to: 06/2014, Rim Size [in]: 17, for brake disc diameter [mm]: 321, for POC: J61	Fig1952
1.8 (75)	10/2011 - 08/2018	85 kW	FT1952	→		Rim Size [in]: 17, for brake disc diameter [mm]: 321, for POC: J61, Rim Size [in]: 17, for brake disc diameter [mm]: 321, for POC: J61	Fig1952
2.0 CDTi (75)	10/2011 - 08/2018	81 kW	FT1952	→		Rim Size [in]: 17, for brake disc diameter [mm]: 321, for POC: J61, Rim Size [in]: 17, for brake disc diameter [mm]: 321, for POC: J61, Rim Size [in]: 17, for brake disc diameter [mm]: 321, for POC: J61	Fig1952
2.0 BiTurbo CDTi (75)	11/2012 - 08/2018	143 kW	FT1952	→		Rim Size [in]: 17, for POC: J61	Fig1952
1.6 CDTi (75)	03/2013 - 08/2018	100 kW	FT1952	→		Rim Size [in]: 17, for brake disc diameter [mm]: 321, for POC: J61	Fig1952
2.0 CDTi (75)	01/2015 - 08/2018	125 kW	FT1952	→		Rim Size [in]: 17, for brake disc diameter [mm]: 321, for POC: J61	Fig1952
1.6 CDTi (75)	10/2016 - 08/2018	99 kW	FT1952	→		Rim Size [in]: 17, for brake disc diameter [mm]: 321, for POC: J61	Fig1952
1.6 SIDI (75)	07/2013 - 08/2018	147 kW	FT1952	→		Rim Size [in]: 17, for brake disc diameter [mm]: 321, for POC: J61	Fig1952

VOLVO

S40 MK 2 SALOON (MS)

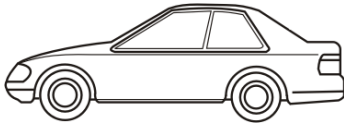
T5 AWD	04/2004 - 12/2007	162 kW	FT2152	↔		Required quantity: 2, Required quantity: 2	Fig2152
--------	-------------------	--------	------------------------	---	--	--	---------

V50 ESTATE

T5 AWD	04/2004 - 12/2007	162 kW	FT2152	↔		Required quantity: 2, Required quantity: 2	Fig2152
--------	-------------------	--------	------------------------	---	--	--	---------

VW

AMAROK (2HA, 2HB, S1B, S6B, S7A, S7B)



kW



Pic
Nr

VW - continued

AMAROK (2HA, 2HB, S1B, S6B, S7A, S7B) - continued

2.0 TSI	12/2010 - 10/2016	118 kW	FT2036			Brake System: for vehicles with disc brakes on the rear axle, for PR number: 2E4	Fig2036
			FT2043			for PR number: 2E4, Brake System: for vehicles with disc brakes on the rear axle, Fitting Position: Outer	Fig2043
			FT2046			Type: <2H, S1>, for PR number: 2E3, Wheelbase: Short Wheelbase, Construction year from: 08/2016, Type: <S6, S7>	Fig2046
2.0 BiTDI 4motion	11/2011 -	132 kW	FT2036			Brake System: for vehicles with disc brakes on the rear axle, for PR number: 2E4	Fig2036
			FT2043			for PR number: 2E4, Brake System: for vehicles with disc brakes on the rear axle, Fitting Position: Outer	Fig2043
			FT2046			Construction year to: 10/2016, Type: <2H, S1>, for PR number: 2E3, Wheelbase: Short Wheelbase, Construction year from: 06/2016, Type: <S6, S7>	Fig2046
2.0 BiTDI	09/2010 - 10/2016	120 kW	FT2046			Construction year to: 05/2012	Fig2046
2.0 BiTDI 4motion	09/2010 - 10/2016	120 kW	FT2046			Construction year to: 05/2012	Fig2046
2.0 TDI 4motion	09/2010 - 10/2013	90 kW	FT2046			Construction year to: 10/2012	Fig2046
2.0 TDI	09/2010 - 10/2013	90 kW	FT2046			Construction year to: 10/2012	Fig2046
2.0 BiTDI	11/2011 -	132 kW	FT2036			Brake System: for vehicles with disc brakes on the rear axle, for PR number: 2E4	Fig2036
			FT2043			for PR number: 2E4, Brake System: for vehicles with disc brakes on the rear axle, Fitting Position: Outer	Fig2043
			FT2046			Construction year to: 10/2016, Type: <2H, S1>, for PR number: 2E3, Wheelbase: Short Wheelbase, Construction year from: 06/2016, Type: <S6, S7>	Fig2046
2.0 TDI	07/2012 - 10/2016	103 kW	FT2036			Brake System: for vehicles with disc brakes on the rear axle, for PR number: 2E4	Fig2036
			FT2043			for PR number: 2E4, Brake System: for vehicles with disc brakes on the rear axle, Fitting Position: Outer	Fig2043
			FT2046			Construction year to: 10/2016, Type: <2H, S1>, for PR number: 2E3, Wheelbase: Short Wheelbase, Construction year from: 06/2016, Type: <S6, S7>	Fig2046



kW

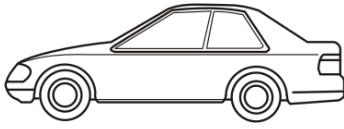


Pic
Nr

VW - continued

AMAROK (2HA, 2HB, S1B, S6B, S7A, S7B) - continued

2.0 TDI 4motion	06/2012 - 10/2016	103 kW	FT2036			Brake System: for vehicles with disc brakes on the rear axle, for PR number: 2E4	Fig2036
			FT2043			for PR number: 2E4, Brake System: for vehicles with disc brakes on the rear axle, Fitting Position: Outer	Fig2043
			FT2046			Construction year to: 10/2016, Type: <2H, S1>, for PR number: 2E3, Wheelbase: Short Wheelbase, Construction year from: 06/2016, Type: <S6, S7>	Fig2046
3.0 TDI 4motion	06/2016 -	165 kW	FT2036			Brake System: for vehicles with disc brakes on the rear axle, for PR number: 2E4	Fig2036
			FT2043			for PR number: 2E4, Brake System: for vehicles with disc brakes on the rear axle, Fitting Position: Outer	Fig2043
			FT2046			Engine Code: DDXD<D4E>, Wheelbase: Short Wheelbase, for PR number: 2E3	Fig2046
3.0 TDI 4motion	06/2016 -	150 kW	FT2036			Brake System: for vehicles with disc brakes on the rear axle, for PR number: 2E4	Fig2036
			FT2043			for PR number: 2E4, Brake System: for vehicles with disc brakes on the rear axle, Fitting Position: Outer	Fig2043
			FT2046			Construction year to: 08/2020, Wheelbase: Short Wheelbase, for PR number: 2E3	Fig2046
3.0 TDI 4motion	06/2016 -	120 kW	FT2036			Brake System: for vehicles with disc brakes on the rear axle, for PR number: 2E4	Fig2036
			FT2043			for PR number: 2E4, Brake System: for vehicles with disc brakes on the rear axle, Fitting Position: Outer	Fig2043
			FT2046			Construction year to: 08/2019, Wheelbase: Short Wheelbase, for PR number: 2E3	Fig2046
3.0 TDI	06/2016 -	120 kW	FT2036			Brake System: for vehicles with disc brakes on the rear axle, for PR number: 2E4	Fig2036
			FT2043			for PR number: 2E4, Brake System: for vehicles with disc brakes on the rear axle, Fitting Position: Outer	Fig2043
			FT2046			Construction year to: 08/2019, Wheelbase: Short Wheelbase, for PR number: 2E3	Fig2046
3.0 TDI 4motion	05/2018 -	190 kW	FT2036			for PR number: 2E4	Fig2036



kW



Pic
Nr

VW - continued

AMAROK (2HA, 2HB, S1B, S6B, S7A, S7B) - continued

3.0 TDI 4motion	05/2018 -	190 kW	- continued					
				FT2043	↔		for PR number: 2E4, Brake System: for vehicles with disc brakes on the rear axle, Fitting Position: Outer	Fig2043
				FT2046	↔		Construction year from: 06/2018, Wheelbase: Short Wheelbase, for PR number: 2E3	Fig2046

AMAROK Platform/Chassis (S1B, S6B, S7B)

2.0 TSI	09/2011 - 10/2016	118 kW		FT2046	↔			Fig2046
2.0 TDI	09/2011 - 10/2016	90 kW		FT2046	↔		Construction year from: 11/2011, Construction year to: 10/2012	Fig2046
2.0 TDI	09/2011 - 10/2016	103 kW		FT2036	↔		Construction year from: 06/2012, Brake System: for vehicles with disc brakes on the rear axle, for PR number: 2E4	Fig2036
				FT2043	↔		for PR number: 2E4, Brake System: for vehicles with disc brakes on the rear axle, Fitting Position: Outer, Construction year from: 06/2012	Fig2043
				FT2046	↔		Construction year from: 06/2012, Type: <2H, S1>, for PR number: 2E3, Wheelbase: Short Wheelbase, Construction year from: 06/2016, Type: <S6, S7>, Construction year to: 05/2012	Fig2046
2.0 TDI 4motion	09/2011 - 10/2016	120 kW		FT2046	↔		Construction year to: 05/2012	Fig2046
2.0 TDI	09/2011 - 10/2016	132 kW		FT2036	↔		Construction year from: 05/2012, Brake System: for vehicles with disc brakes on the rear axle, for PR number: 2E4	Fig2036
				FT2043	↔		for PR number: 2E4, Brake System: for vehicles with disc brakes on the rear axle, Fitting Position: Outer, Construction year from: 05/2012	Fig2043
				FT2046	↔		Construction year from: 11/2011, Construction year to: 10/2016	Fig2046
2.0 TDI 4motion	09/2011 - 10/2016	132 kW		FT2036	↔		Construction year from: 05/2012, Brake System: for vehicles with disc brakes on the rear axle, for PR number: 2E4	Fig2036
				FT2043	↔		for PR number: 2E4, Brake System: for vehicles with disc brakes on the rear axle, Fitting Position: Outer, Construction year from: 05/2012	Fig2043



kW

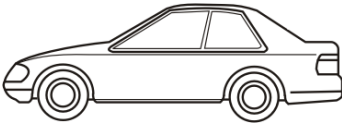


Pic
Nr

VW - continued

AMAROK Platform/Chassis (S1B, S6B, S7B) - continued

2.0 TDI 4motion		09/2011 - 10/2016	132 kW	- continued			
	FT2046			Construction year to: 10/2016, Construction year from: 11/2011, Type: <2H, S1>, for PR number: 2E3, Wheelbase: Short Wheelbase, Construction year from: 06/2016, Type: <S6, S7>	Fig2046		
2.0 TDI 4motion	09/2011 - 10/2016	103 kW	FT2036			Construction year from: 06/2012, Brake System: for vehicles with disc brakes on the rear axle, for PR number: 2E4	Fig2036
			FT2043			for PR number: 2E4, Brake System: for vehicles with disc brakes on the rear axle, Fitting Position: Outer, Construction year from: 06/2012	Fig2043
			FT2046			Construction year from: 06/2012, Type: <2H, S1>, for PR number: 2E3, Wheelbase: Short Wheelbase, Construction year from: 06/2016, Type: <S6, S7>	Fig2046
3.0 TDI 4motion	05/2018 -	190 kW	FT2036			for PR number: 2E4	Fig2036
			FT2043			for PR number: 2E4, Brake System: for vehicles with disc brakes on the rear axle, Fitting Position: Outer	Fig2043
			FT2046			Construction year from: 06/2018, Wheelbase: Short Wheelbase, for PR number: 2E3	Fig2046
3.0 TDI 4motion	06/2016 -	150 kW	FT2036			Brake System: for vehicles with disc brakes on the rear axle, for PR number: 2E4	Fig2036
			FT2043			for PR number: 2E4, Brake System: for vehicles with disc brakes on the rear axle, Fitting Position: Outer	Fig2043
			FT2046			Construction year to: 08/2020, Wheelbase: Short Wheelbase, for PR number: 2E3	Fig2046
CADDY ALLTRACK Box (SAA)							
1.4 TGI CNG	06/2015 -	81 kW	FT2038			for PR number: 2MH	Fig2038
CADDY ALLTRACK Estate (SAB)							
1.4 TGI CNG	06/2015 -	81 kW	FT2038			for PR number: 2MH	Fig2038
CADDY III ESTATE (2KB)							
2.0 TDI 16V 4motion	11/2010 - 05/2015	103 kW	FT2039			Type: Caddy Maxi	Fig2039
1.9 TDI 4motion	05/2008 - 08/2010	77 kW	FT2039			Construction year from: 12/2009, Type: Caddy Maxi	Fig2039
2.0 TDI 4motion	08/2010 - 05/2015	81 kW	FT2039			Type: Caddy Maxi	Fig2039
CADDY IV Box (SAA, SAH)							
1.4 TGI CNG	06/2015 -	81 kW	FT2038			Type: Caddy, for PR number: 2MH	Fig2038
CADDY IV Estate (SAB, SAJ)							
1.4 TGI CNG	06/2015 -	81 kW	FT2038			Type: Caddy, for PR number: 2MH	Fig2038



kW



Pic
Nr

CADDY MK 3 VAN (2KA)

1.9 TDI 4motion	11/2008 - 08/2010	77 kW	FT2039	↔		Construction year from: 12/2009, Type: Caddy Maxi	Fig2039
2.0 TDI 4motion	12/2010 - 05/2015	62 kW	FT2039	↔		Type: Caddy Maxi	Fig2039
2.0 TDI 16V 4motion	11/2010 - 05/2015	103 kW	FT2039	↔		Type: Caddy Maxi	Fig2039
2.0 TDI 4motion	08/2010 - 05/2015	81 kW	FT2039	↔		Type: Caddy Maxi	Fig2039

POLO (AW1, BZ1)

1.0	06/2017 -	55 kW	FT2029	↔		Fitting Position: inner	Fig2029
			FT2032	↔			Fig2032
1.0 TSI	06/2017 -	70 kW	FT2029	↔		Fitting Position: inner	Fig2029
			FT2032	↔			Fig2032
1.0	08/2017 -	48 kW	FT2029	↔		Fitting Position: inner	Fig2029
			FT2032	↔			Fig2032
1.0 TSI	09/2017 -	85 kW	FT2029	↔		Fitting Position: inner	Fig2029
			FT2032	↔			Fig2032
1.0 TGI	09/2017 -	66 kW	FT2029	↔		Fitting Position: inner	Fig2029
			FT2032	↔			Fig2032
2.0 GTI	11/2017 -	147 kW	FT2029	↔		Fitting Position: inner	Fig2029
			FT2032	↔			Fig2032
1.6 TDI	11/2017 -	59 kW	FT2029	↔		Fitting Position: inner	Fig2029
			FT2032	↔			Fig2032
1.6 TDI	11/2017 -	70 kW	FT2029	↔		Fitting Position: inner	Fig2029
			FT2032	↔			Fig2032
1.0 MPi	09/2018 -	59 kW	FT2029	↔			Fig2029
			FT2032	↔			Fig2032
1.5 TSI	10/2018 -	110 kW	FT2029	↔			Fig2029
			FT2032	↔			Fig2032

T-CROSS (C11_)

1.0 TSi	12/2018 -	70 kW	FT2029	↔			Fig2029
			FT2032	↔			Fig2032
1.0 TSi	12/2018 -	85 kW	FT2029	↔			Fig2029
			FT2032	↔			Fig2032
1.6 TDi	12/2018 -	70 kW	FT2029	↔			Fig2029
			FT2032	↔			Fig2032
1.5 TSI	01/2020 -	110 kW	FT2029	↔		Fitting Position: inner	Fig2029
			FT2032	↔			Fig2032

Fig. 487

End fitting 'A'.

End fitting 'B'.

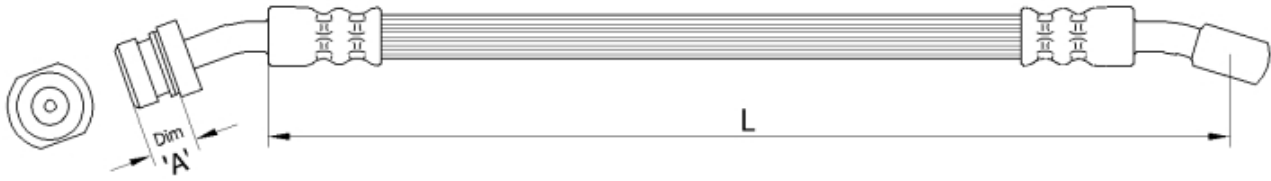


Fig487

Part no.	Length	End A	End B	Additional hose features
FT2130	241	M10X1 (INT.)	BANJO	ARMoured

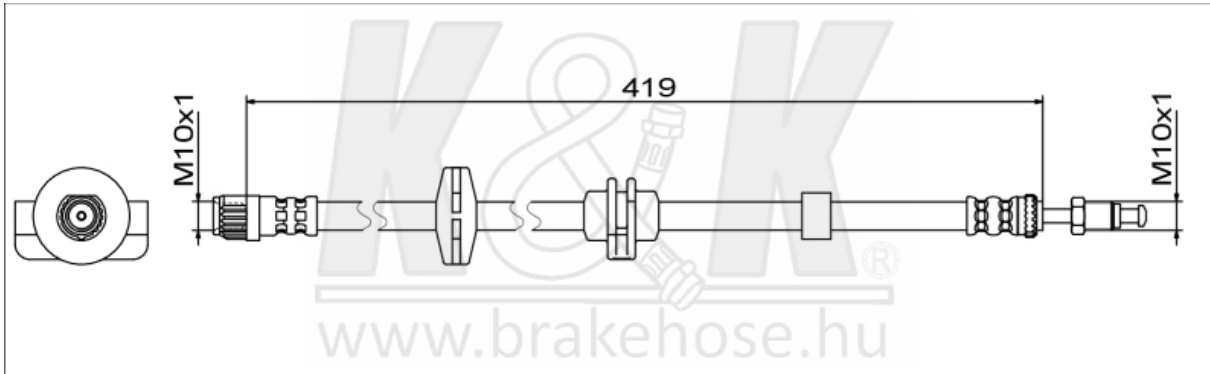


Fig0932

Part no.	Length	End A	End B	Additional hose features
FT0932	419	M10X1 (INT.)	M10X1	SLEEVE; GROMMET

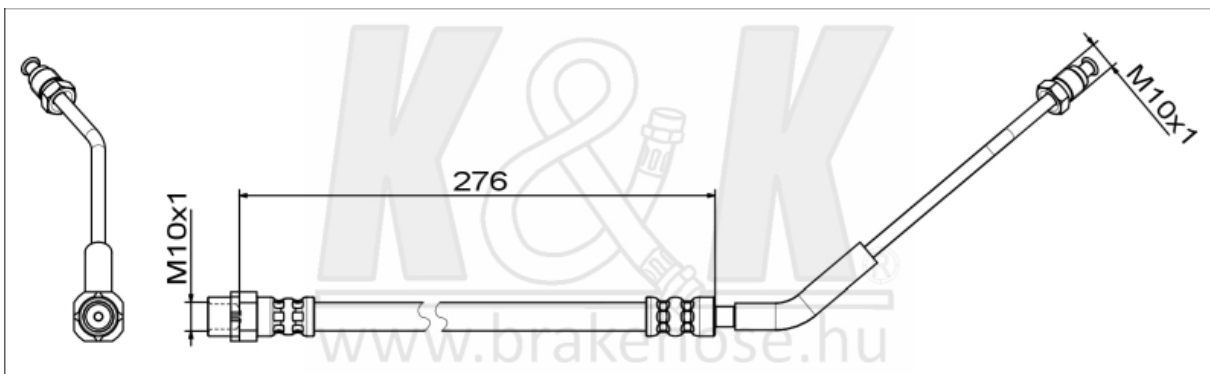


Fig0947

Part no.	Length	End A	End B	Additional hose features
FT0947	276	M10X1 (INT.)	M10X1	-

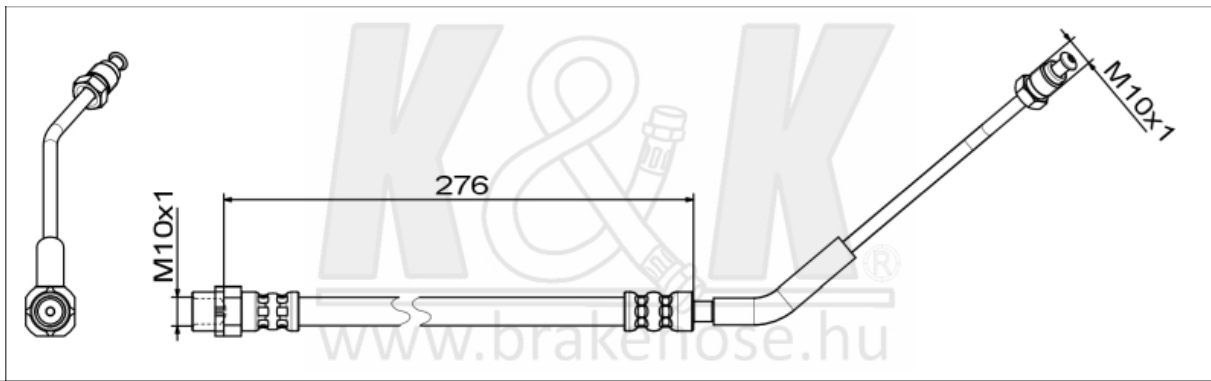


Fig0948				
Part no.	Length	End A	End B	Additional hose features
FT0948	276	M10X1 (INT.)	M10X1	OPPOSITE VIEW

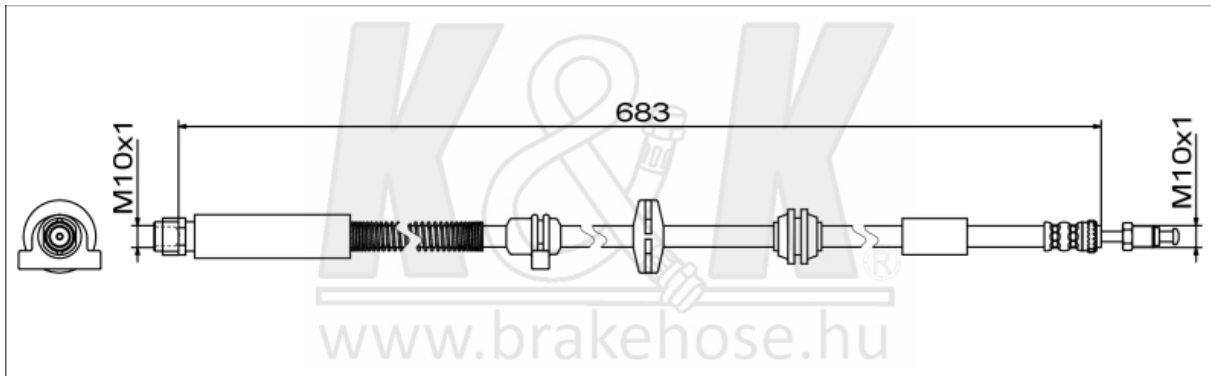


Fig0949				
Part no.	Length	End A	End B	Additional hose features
FT0949	683	M10X1 (INT.)	M10X1	SLEEVE; GROMMET; ARMURED

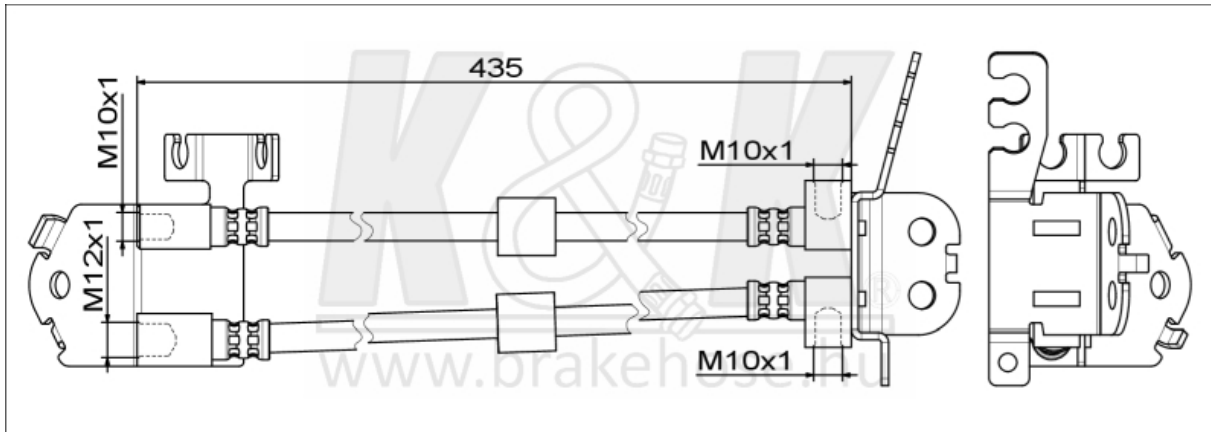


Fig1357				
Part no.	Length	End A	End B	Additional hose features
FT1357	435	M10X1/M12X1 (INT.)	M10X1/M10X1 (INT.)	SLEEVE

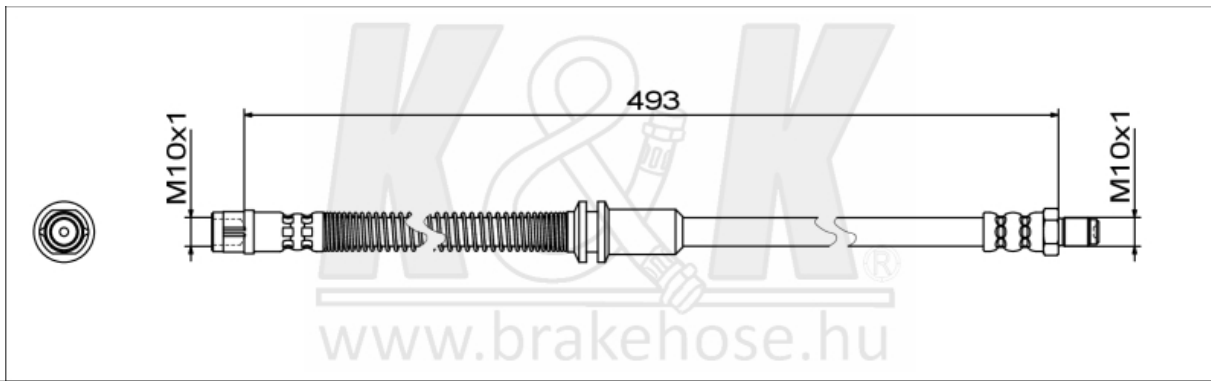


Fig1482

Part no.	Length	End A	End B	Additional hose features
FT1482	493	M10X1 (INT.)	M10X1	ARMOURED; GROMMET

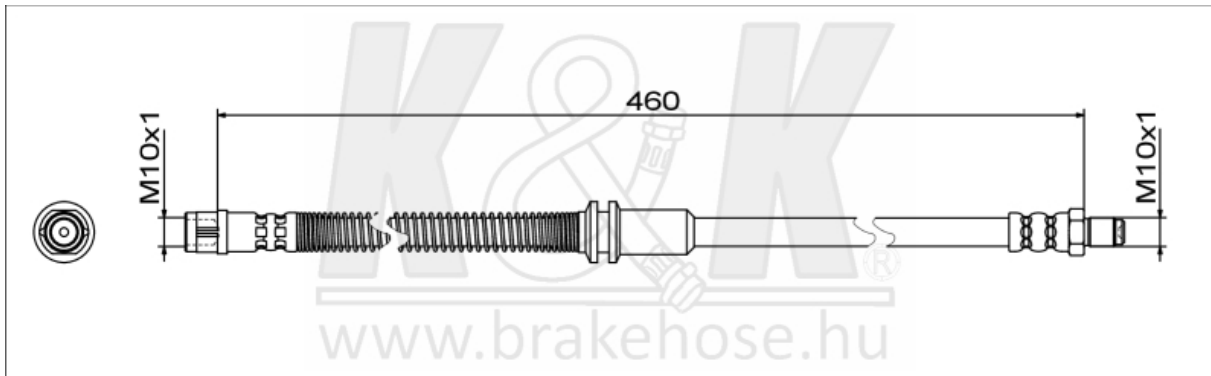


Fig1483

Part no.	Length	End A	End B	Additional hose features
FT1483	460	M10X1 (INT.)	M10X1	ARMOURED; GROMMET

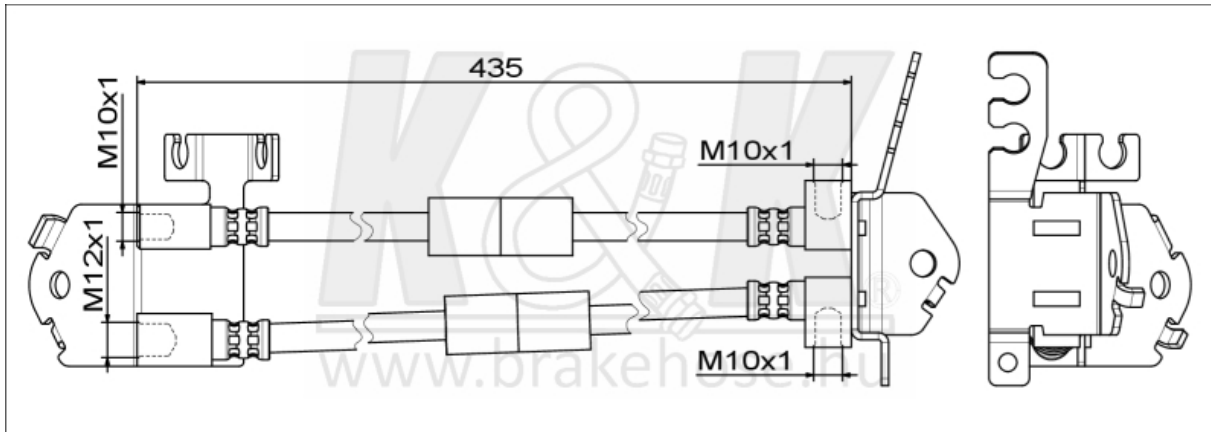


Fig1557

Part no.	Length	End A	End B	Additional hose features
FT1557	435	M10X1/M12X1 (INT.)	M10X1/M10X1 (INT.)	SLEEVE

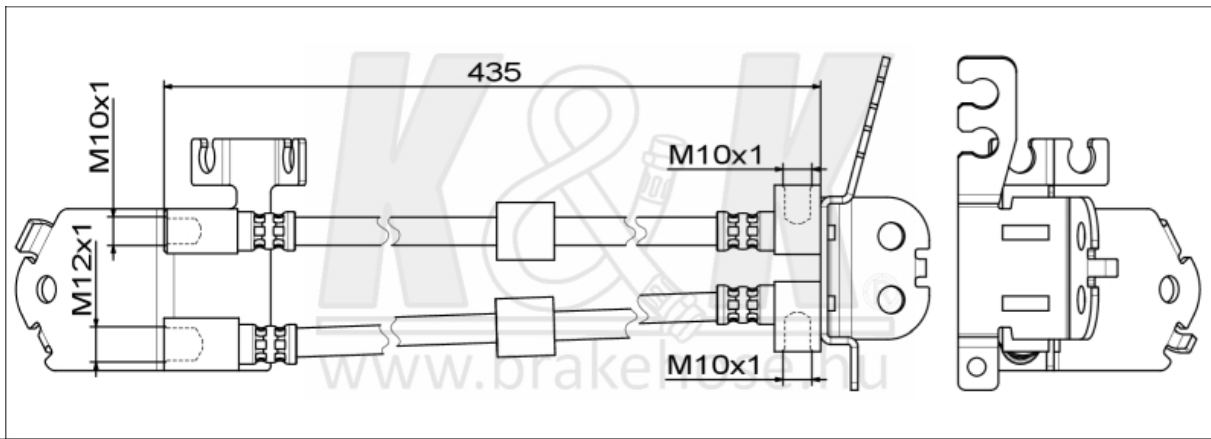


Fig1558

Part no.	Length	End A	End B	Additional hose features
FT1558	435	M10X1/M12X1 (INT.)	M10X1/M10X1 (INT.)	SLEEVE

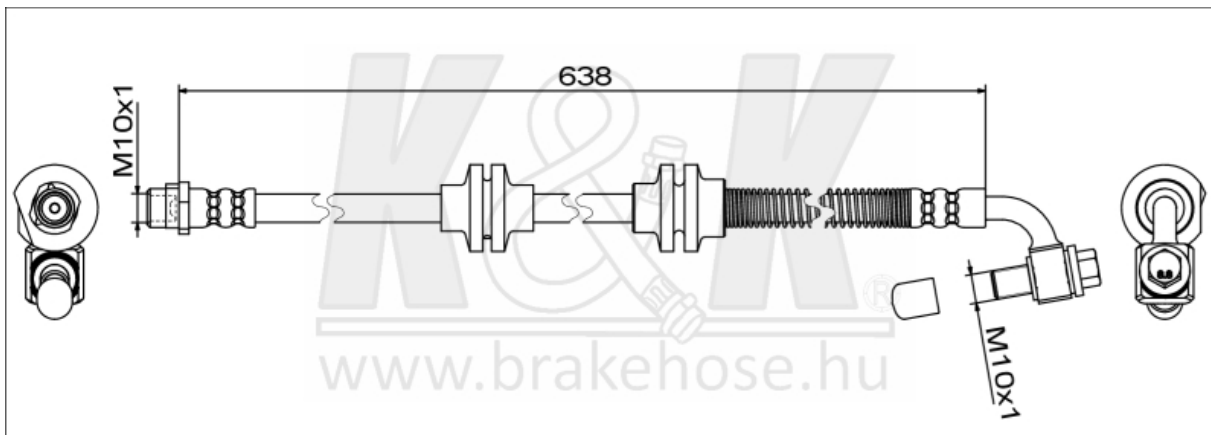


Fig1609

Part no.	Length	End A	End B	Additional hose features
FT1609	638	M10X1 (INT.)	BANJO WITH BOLT M10X1	ARMoured; GROMMET

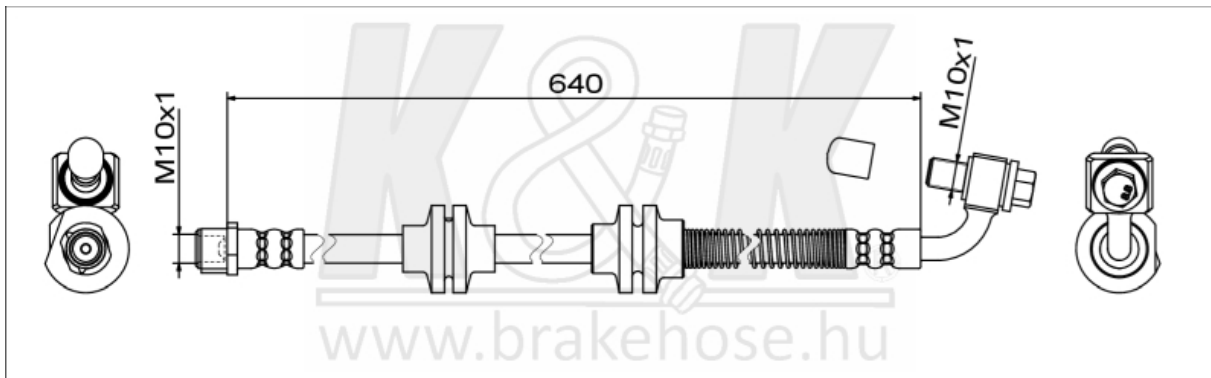


Fig1610

Part no.	Length	End A	End B	Additional hose features
FT1610	640	M10X1 (INT.)	BANJO WITH BOLT M10X1	ARMoured; GROMMET

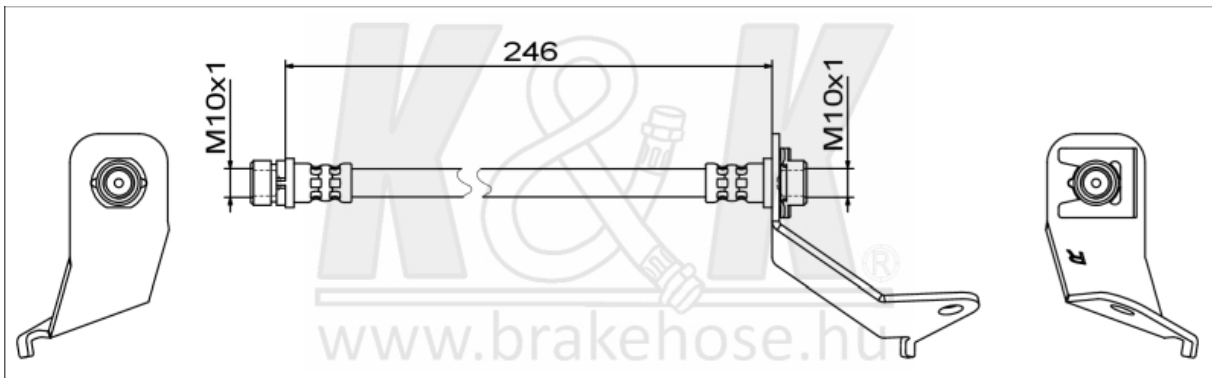


Fig1635

Part no.	Length	End A	End B	Additional hose features
FT1635	246	M10X1 (INT.)	M10X1 (INT.)	HANGING PARTS

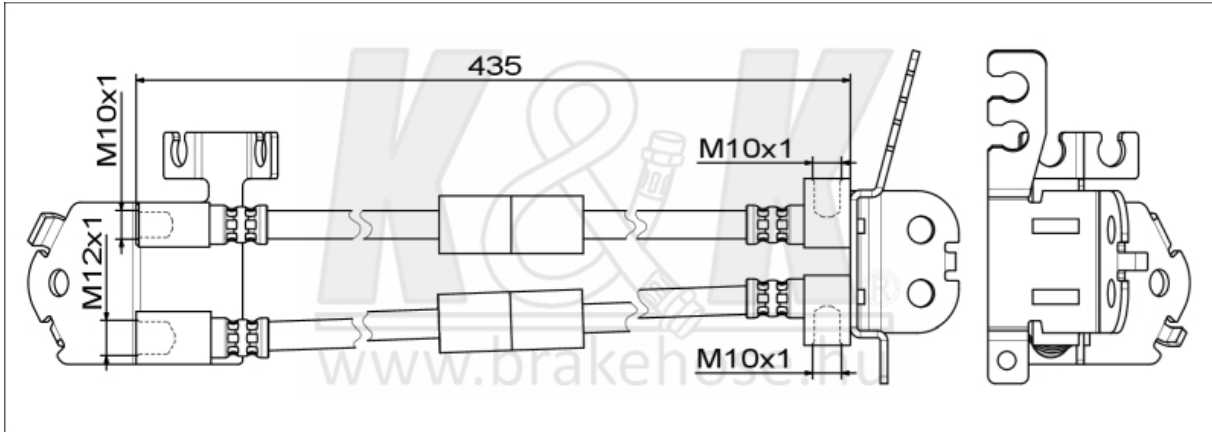


Fig1812

Part no.	Length	End A	End B	Additional hose features
FT1812	435	M10X1/M12X1 (INT.)	M10X1/M10X1 (INT.)	SLEEVE

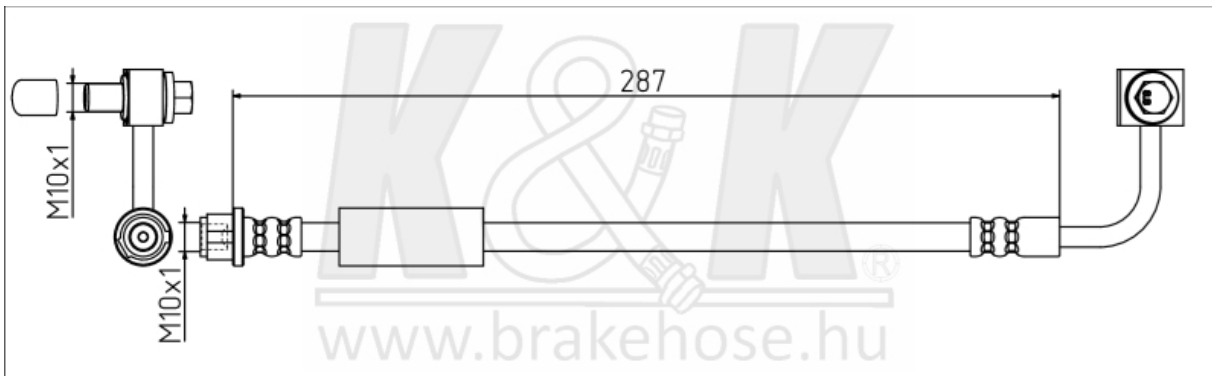


Fig1927

Part no.	Length	End A	End B	Additional hose features
FT1927	287	M10X1 (INT.)	BANJO WITH BOLT M10X1	SLEEVE

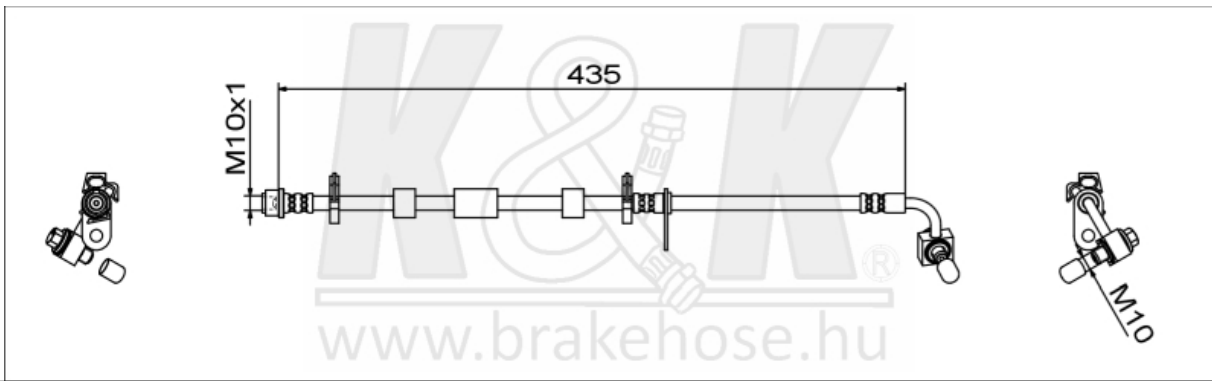


Fig1928

Part no.	Length	End A	End B	Additional hose features
FT1928	435	M10X1 (INT.)	BANJO WITH BOLT M10	SLEEVE; CABLE CLIP

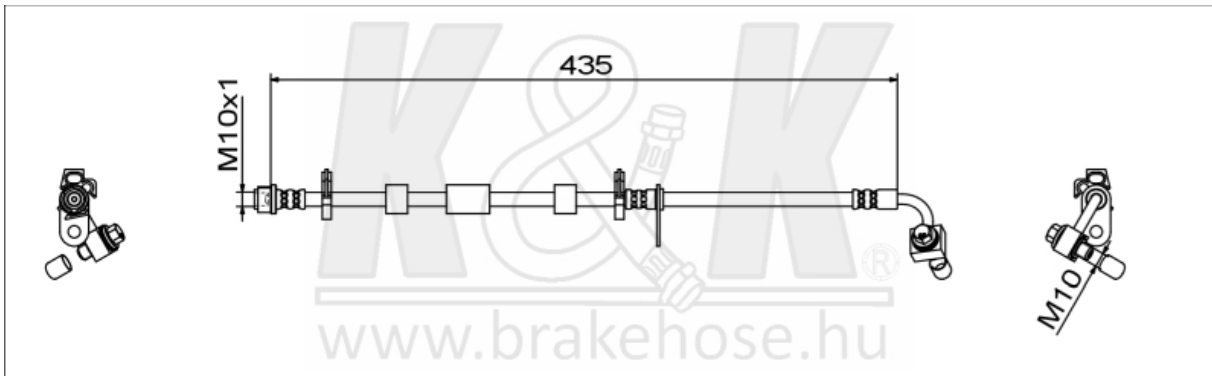


Fig1929

Part no.	Length	End A	End B	Additional hose features
FT1929	435	M10X1 (INT.)	BANJO WITH BOLT M10	SLEEVE; CABLE CLIP

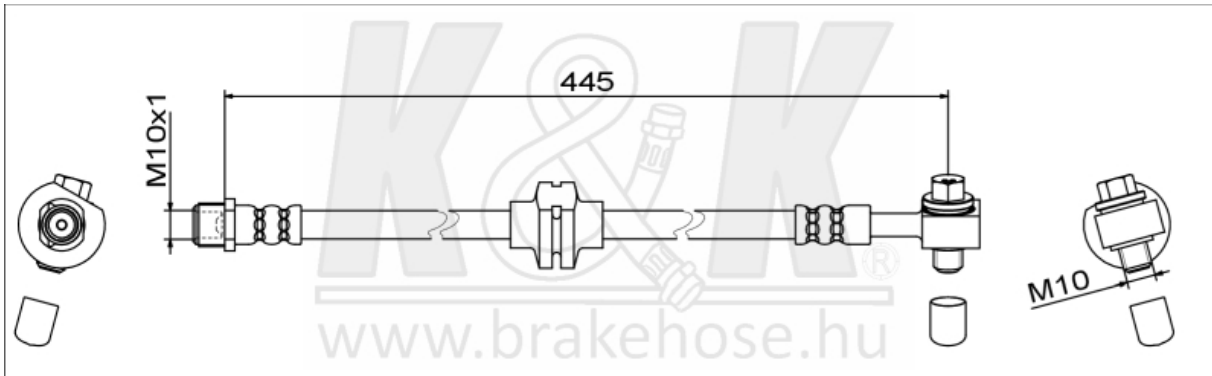


Fig1952

Part no.	Length	End A	End B	Additional hose features
FT1952	445	M10X1 (INT.)	BANJO WITH BOLT M10	GROMMET

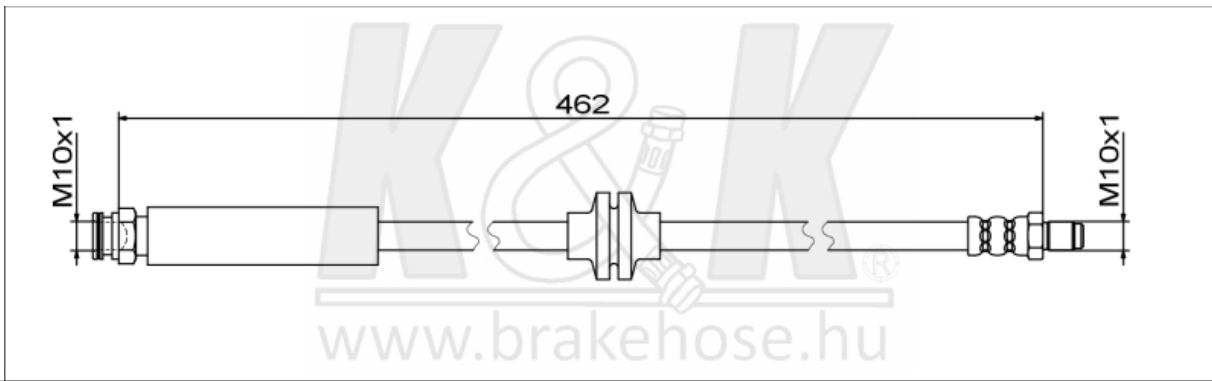


Fig2026

Part no.	Length	End A	End B	Additional hose features
FT2026	462	M10X1 (INT.)	M10X1	SLEEVE; GROMMET

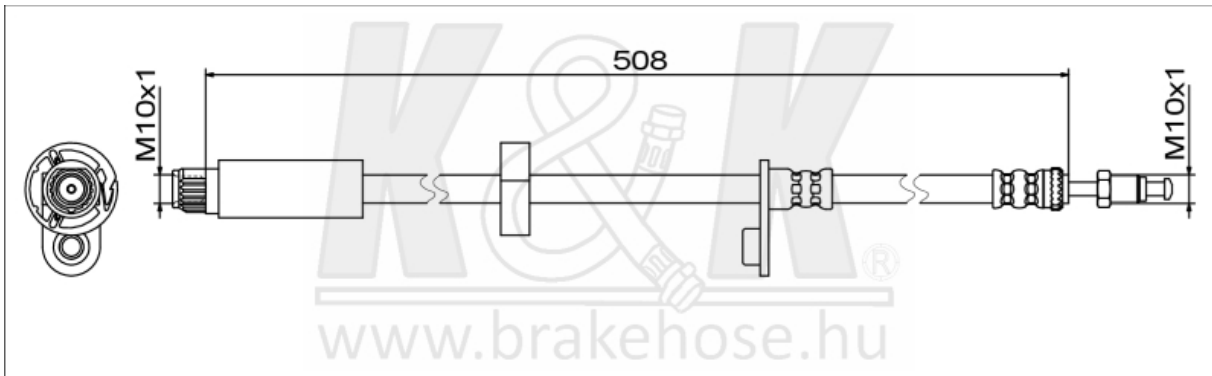


Fig2027

Part no.	Length	End A	End B	Additional hose features
FT2027	508	M10X1 (INT.)	M10X1	SLEEVE; GROMMET

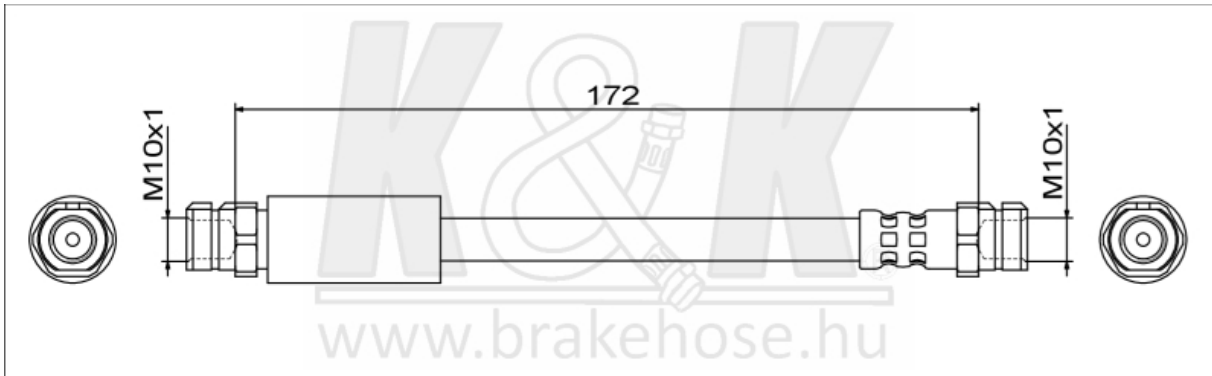


Fig2029

Part no.	Length	End A	End B	Additional hose features
FT2029	172	M10X1 (INT.)	M10X1 (INT.)	SLEEVE

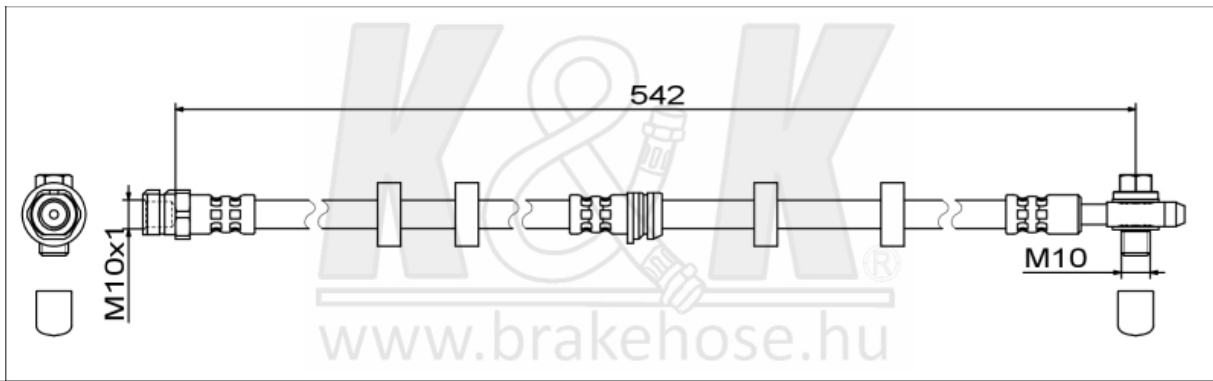


Fig2030

Part no.	Length	End A	End B	Additional hose features
FT2030	542	M10X1 (INT.)	BANJO WITH BOLT M10	COLLAR

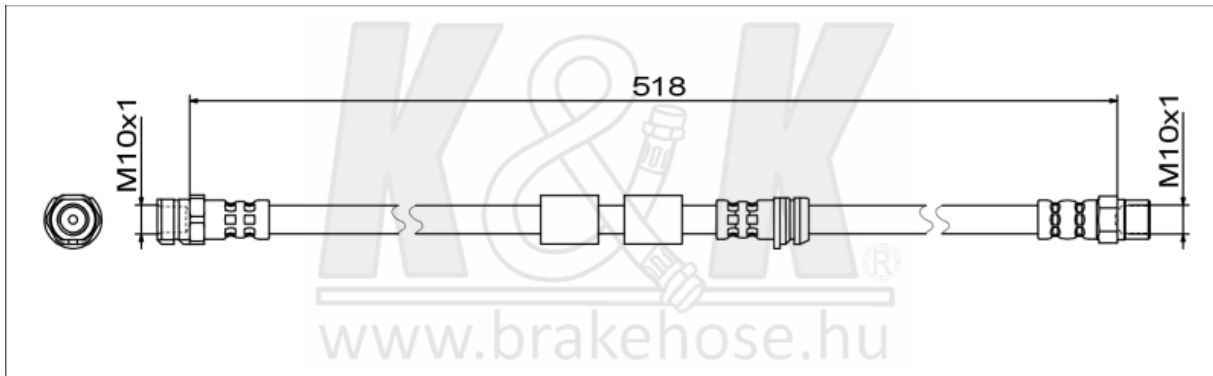


Fig2031

Part no.	Length	End A	End B	Additional hose features
FT2031	518	M10X1 (INT.)	M10X1 (INT.)	SLEEVE

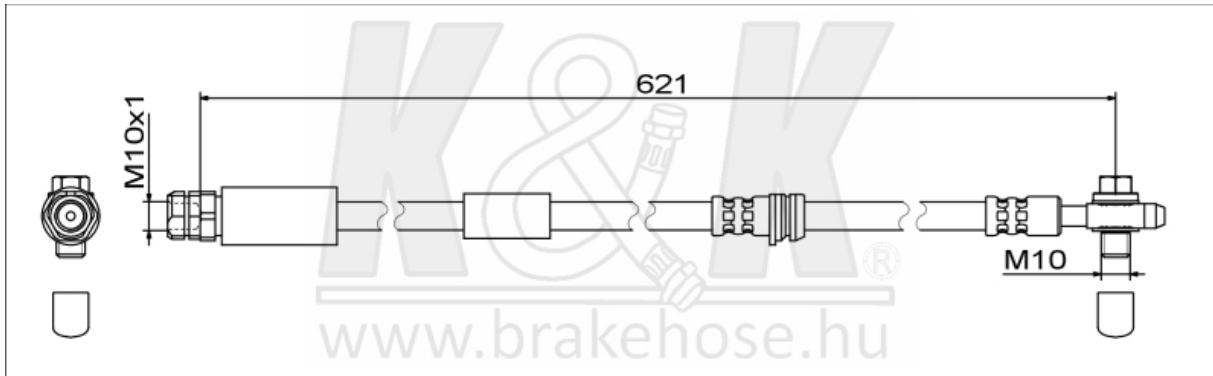


Fig2032

Part no.	Length	End A	End B	Additional hose features
FT2032	621	M10X1 (INT.)	BANJO WITH BOLT M10	SLEEVE

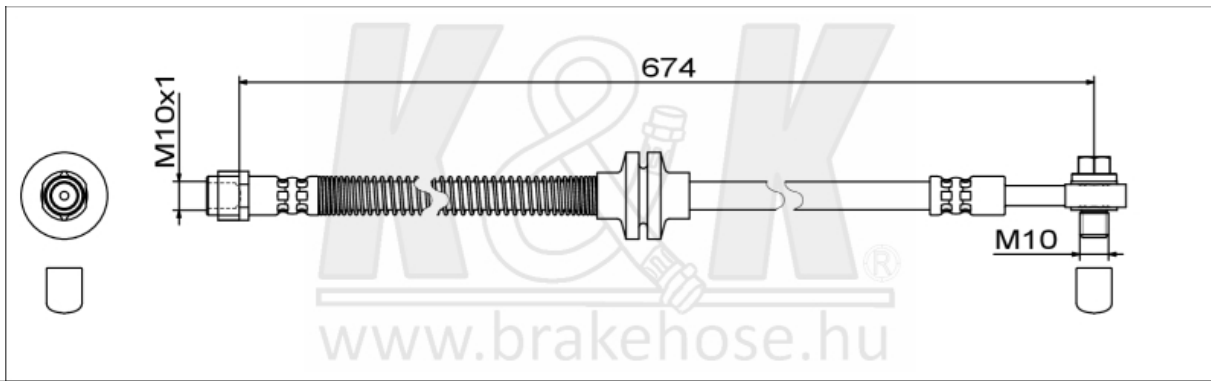


Fig2036

Part no.	Length	End A	End B	Additional hose features
FT2036	674	M10X1 (INT.)	BANJO WITH BOLT M10	ARMOURED; GROMMET

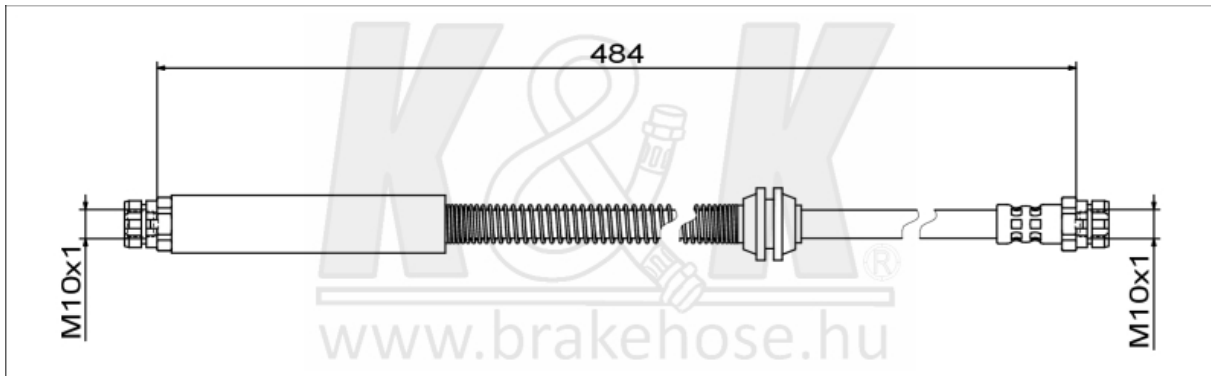


Fig2038

Part no.	Length	End A	End B	Additional hose features
FT2038	484	M10X1 (INT.)	M10X1 (INT.)	SLEEVE; GROMMET; ARMOURED

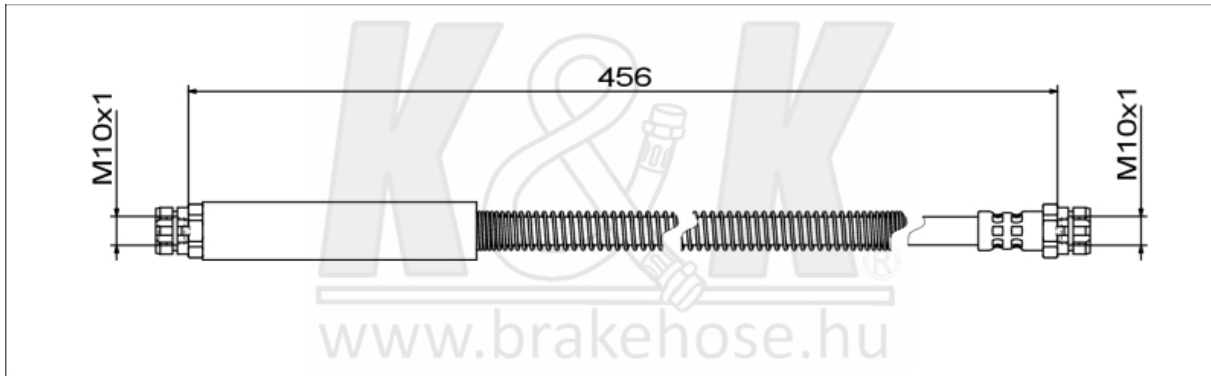


Fig2039

Part no.	Length	End A	End B	Additional hose features
FT2039	456	M10X1 (INT.)	M10X1 (INT.)	SLEEVE; GROMMET; ARMOURED

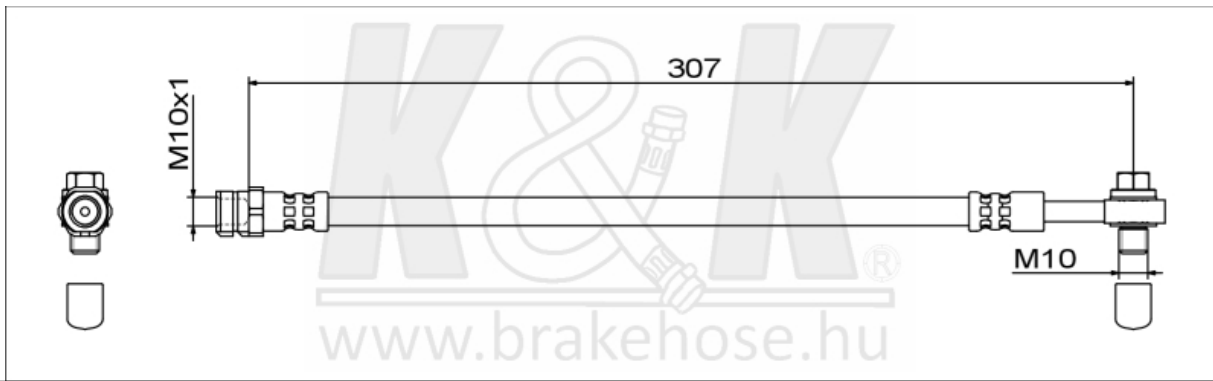


Fig2041

Part no.	Length	End A	End B	Additional hose features
FT2041	307	M10X1 (INT.)	BANJO WITH BOLT M10	-

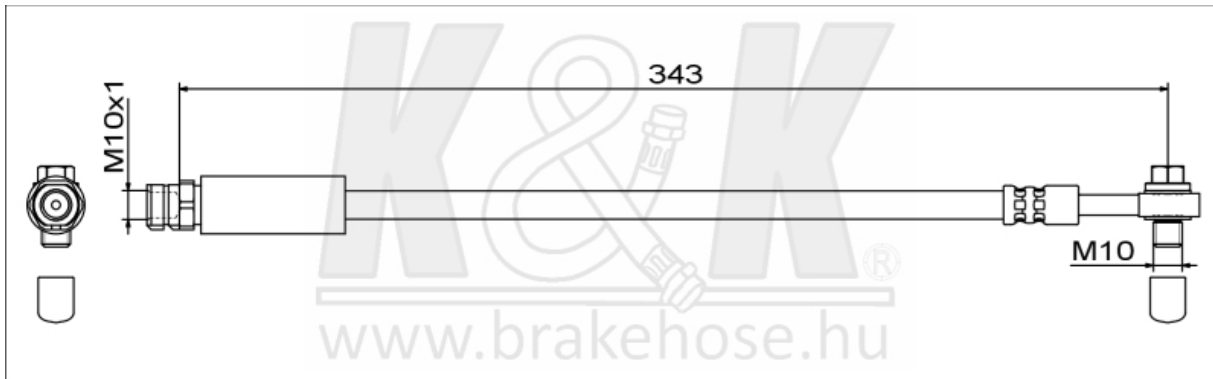


Fig2042

Part no.	Length	End A	End B	Additional hose features
FT2042	343	M10X1 (INT.)	BANJO WITH BOLT M10	SLEEVE

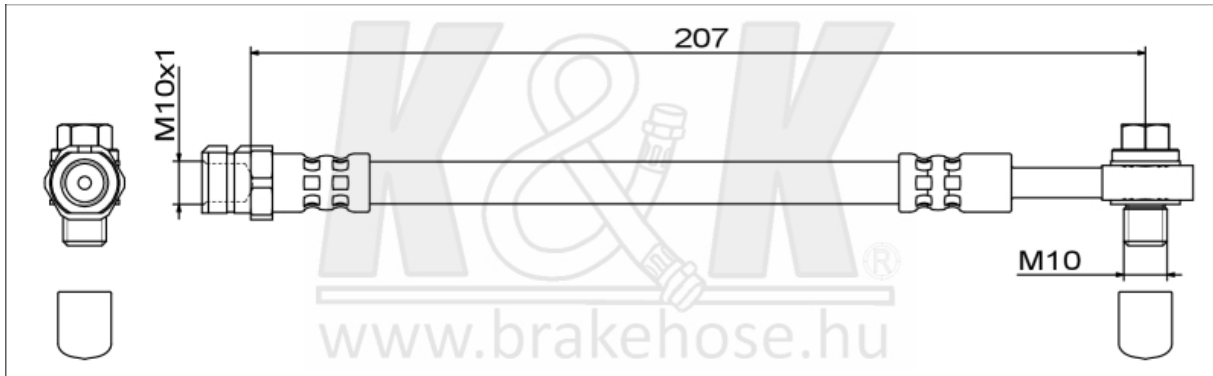


Fig2043

Part no.	Length	End A	End B	Additional hose features
FT2043	207	M10X1 (INT.)	BANJO WITH BOLT M10	-

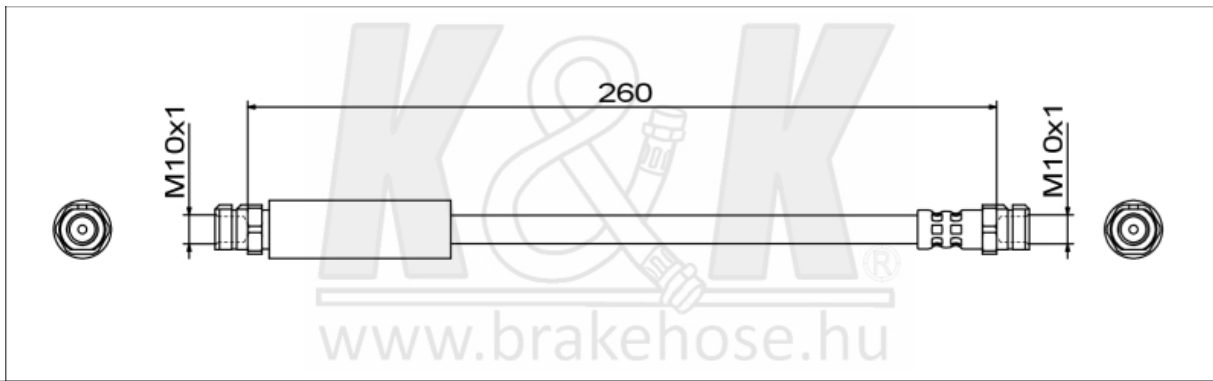


Fig2044

Part no.	Length	End A	End B	Additional hose features
FT2044	260	M10X1 (INT.)	M10X1 (INT.)	SLEEVE

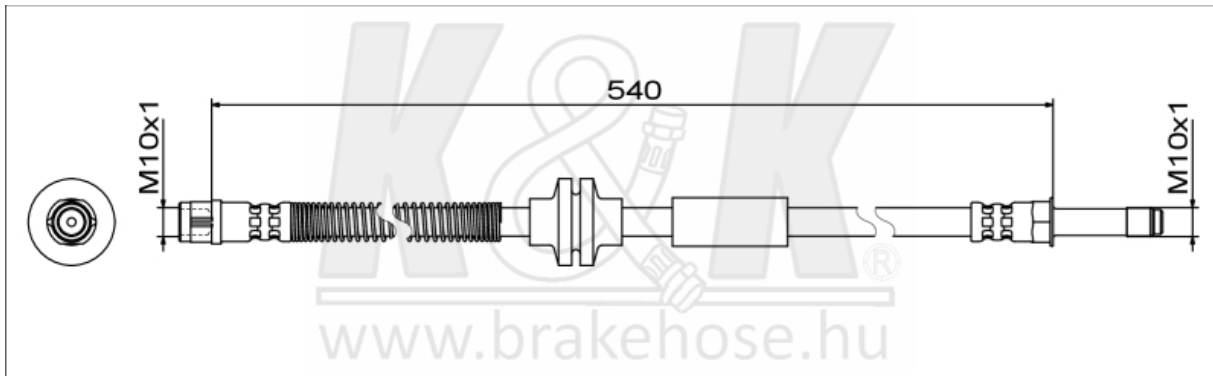


Fig2046

Part no.	Length	End A	End B	Additional hose features
FT2046	540	M10X1 (INT.)	M10X1	SLEEVE; GROMMET; ARMoured

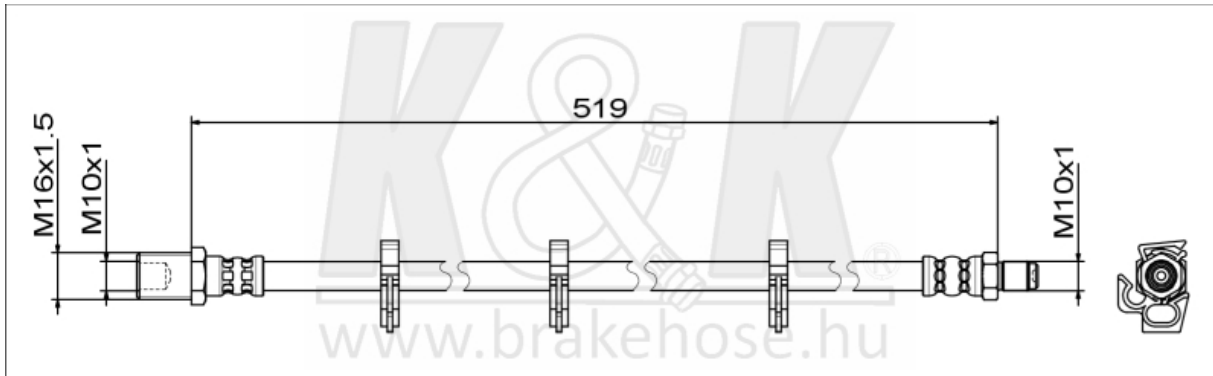


Fig2047

Part no.	Length	End A	End B	Additional hose features
FT2047	519	M16X1.5 (EXT.); M10X1 (INT.)	M10X1	CABLE CLIP

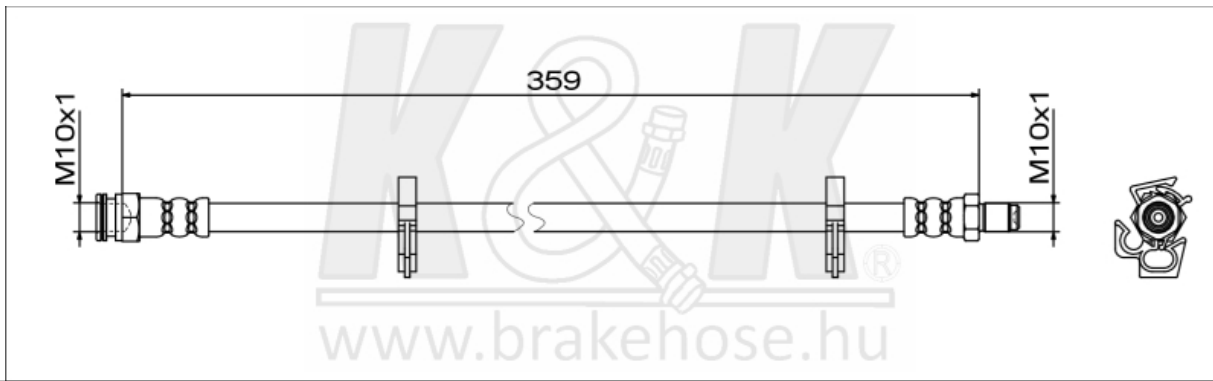


Fig2051				
Part no.	Length	End A	End B	Additional hose features
FT2051	359	M10X1 (INT.)	M10X1	CABLE CLIP

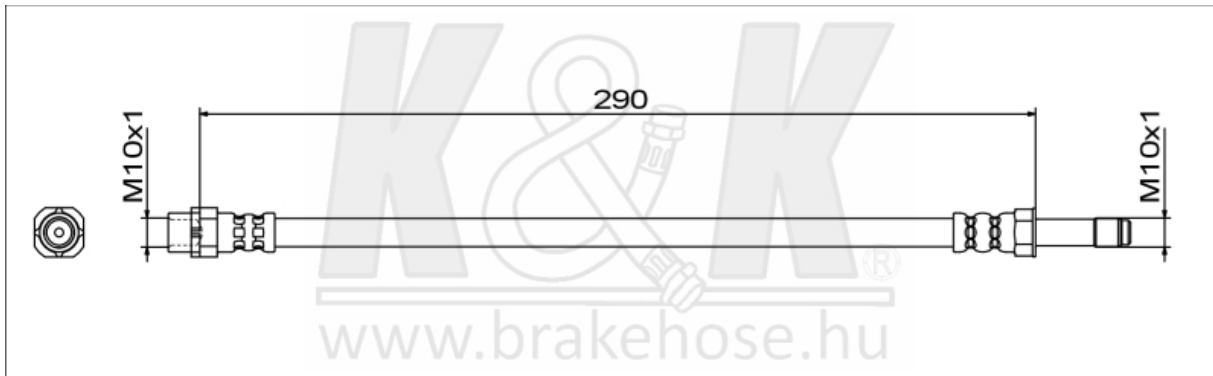


Fig2057				
Part no.	Length	End A	End B	Additional hose features
FT2057	290	M10X1 (INT.)	M10X1	-

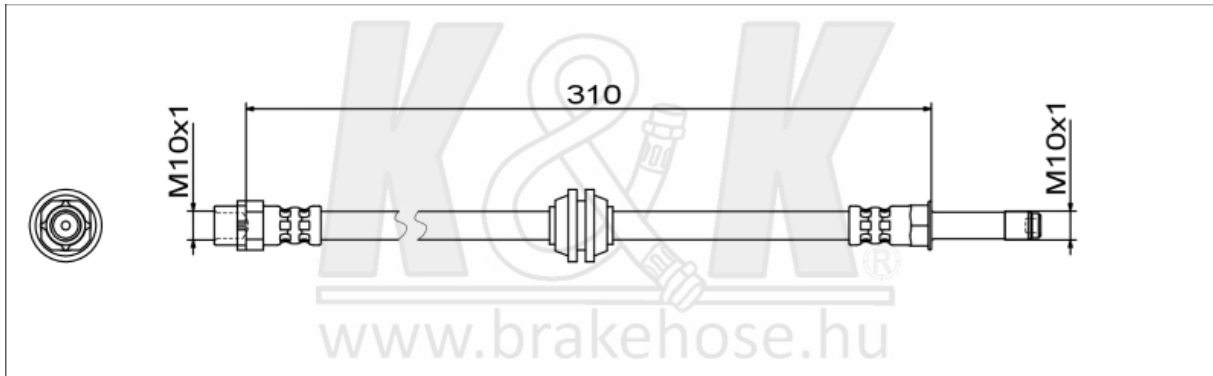


Fig2063				
Part no.	Length	End A	End B	Additional hose features
FT2063	310	M10X1 (INT.)	M10X1	GROMMET

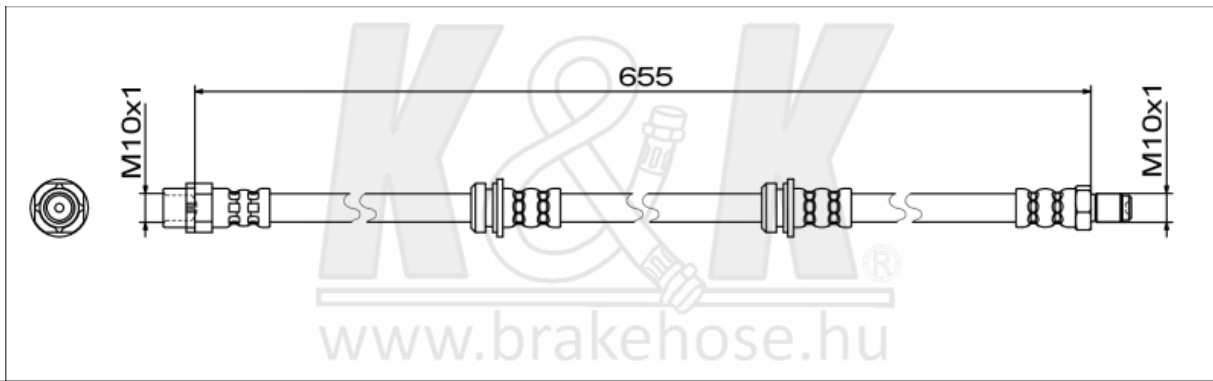


Fig2064				
Part no.	Length	End A	End B	Additional hose features
FT2064	655	M10X1 (INT.)	M10X1	-

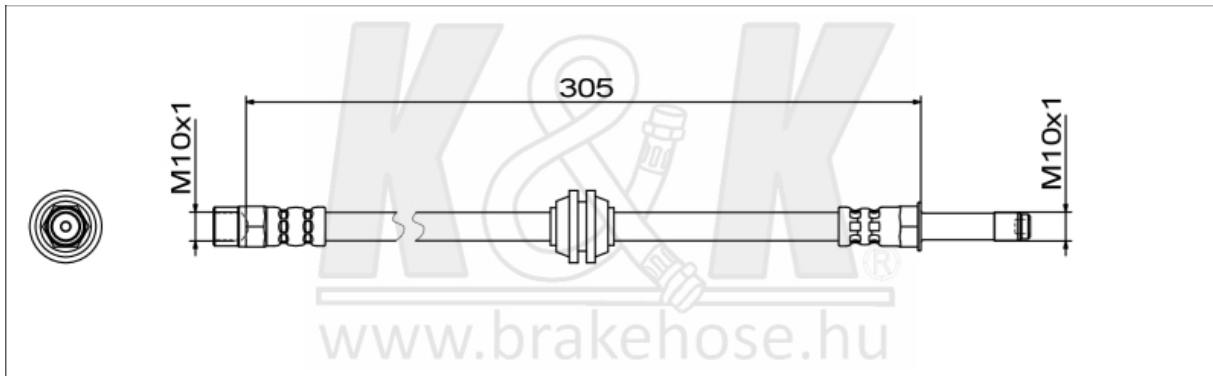


Fig2065				
Part no.	Length	End A	End B	Additional hose features
FT2065	305	M10X1 (INT.)	M10X1	GROMMET

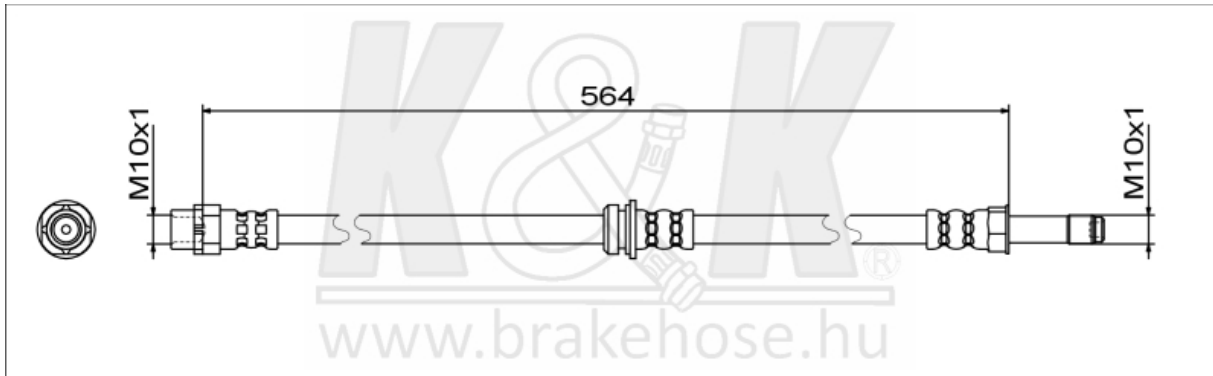


Fig2068				
Part no.	Length	End A	End B	Additional hose features
FT2068	564	M10X1 (INT.)	M10X1	-

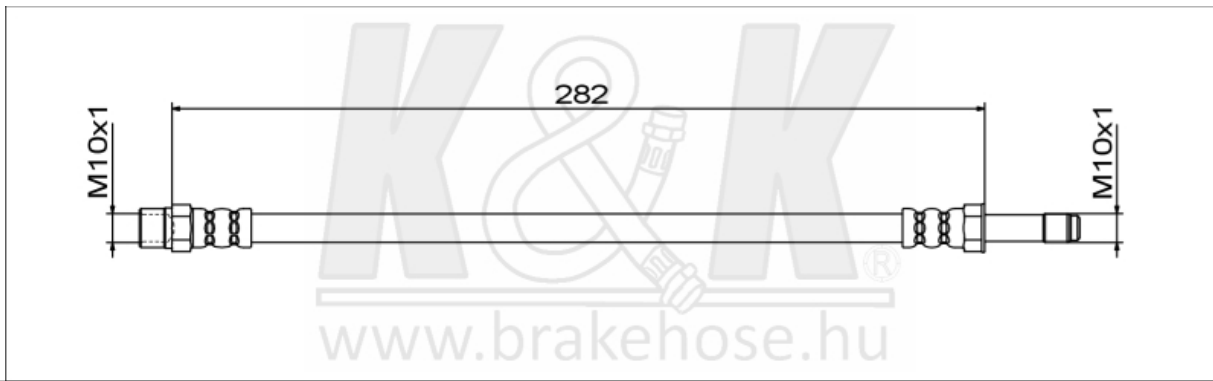


Fig2071				
Part no.	Length	End A	End B	Additional hose features
FT2071	282	M10X1 (INT.)	M10X1	-

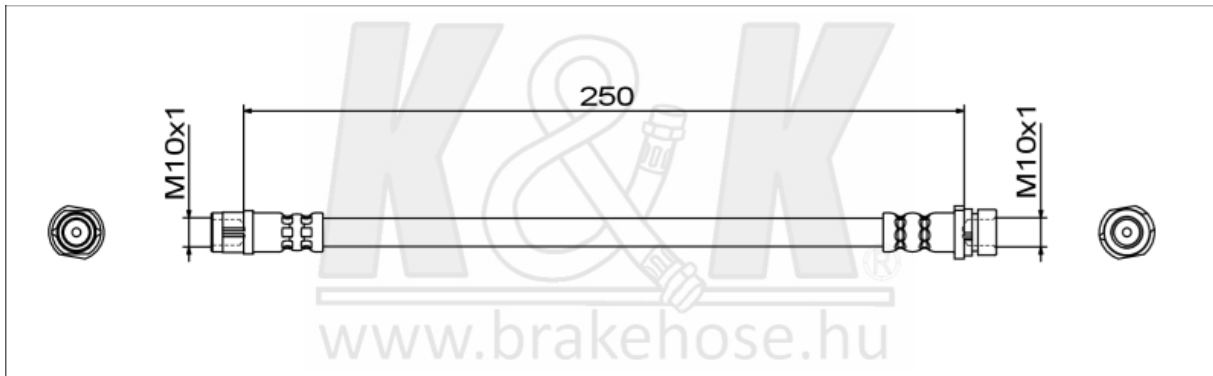


Fig2073				
Part no.	Length	End A	End B	Additional hose features
FT2073	250	M10X1 (INT.)	M10X1 (INT.)	-

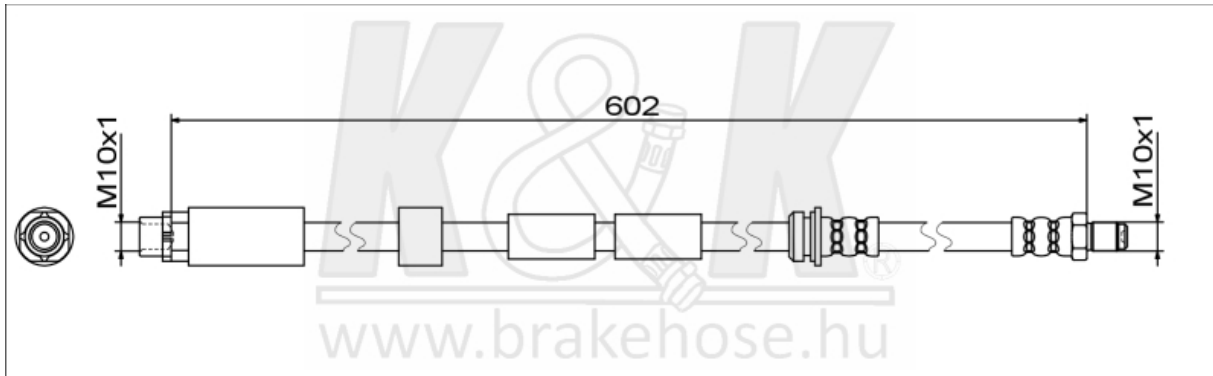


Fig2074				
Part no.	Length	End A	End B	Additional hose features
FT2074	602	M10X1 (INT.)	M10X1	SLEEVE; GROMMET

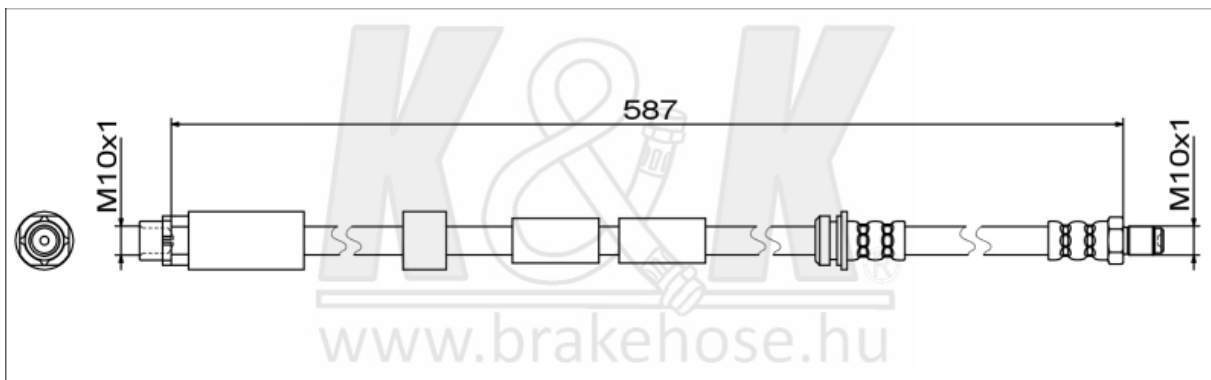


Fig2075

Part no.	Length	End A	End B	Additional hose features
FT2075	587	M10X1 (INT.)	M10X1	SLEEVE; GROMMET

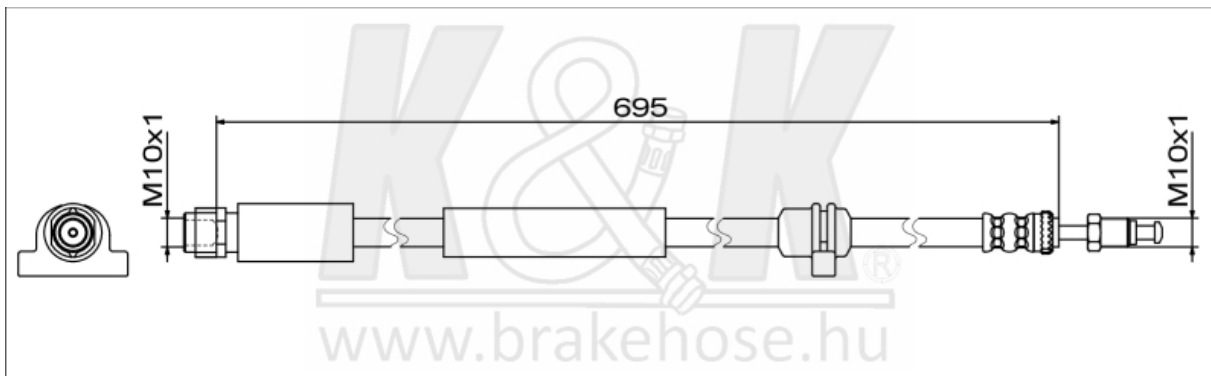


Fig2076

Part no.	Length	End A	End B	Additional hose features
FT2076	695	M10X1 (INT.)	M10X1	SLEEVE; GROMMET

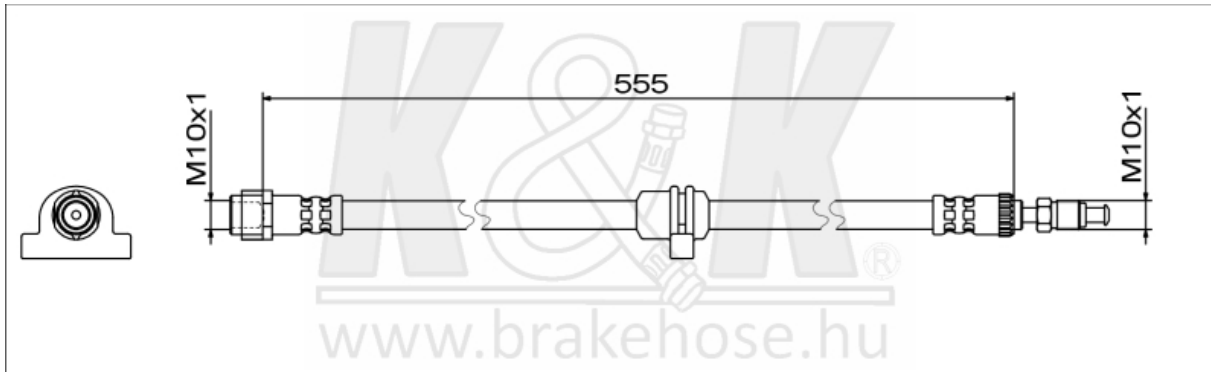


Fig2082

Part no.	Length	End A	End B	Additional hose features
FT2082	555	M10X1 (INT.)	M10X1	COLLAR

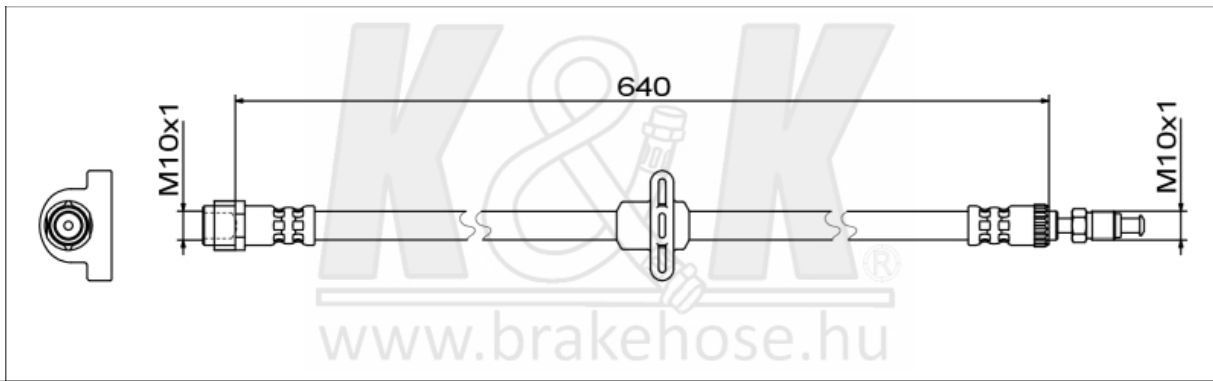


Fig2083				
Part no.	Length	End A	End B	Additional hose features
FT2083	640	M10X1 (INT.)	M10X1	COLLAR

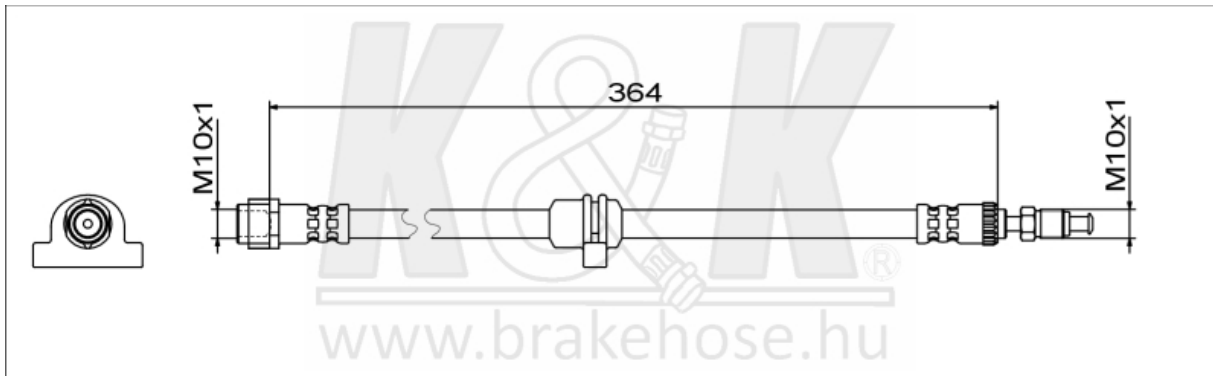


Fig2087				
Part no.	Length	End A	End B	Additional hose features
FT2087	364	M10X1 (INT.)	M10X1	COLLAR

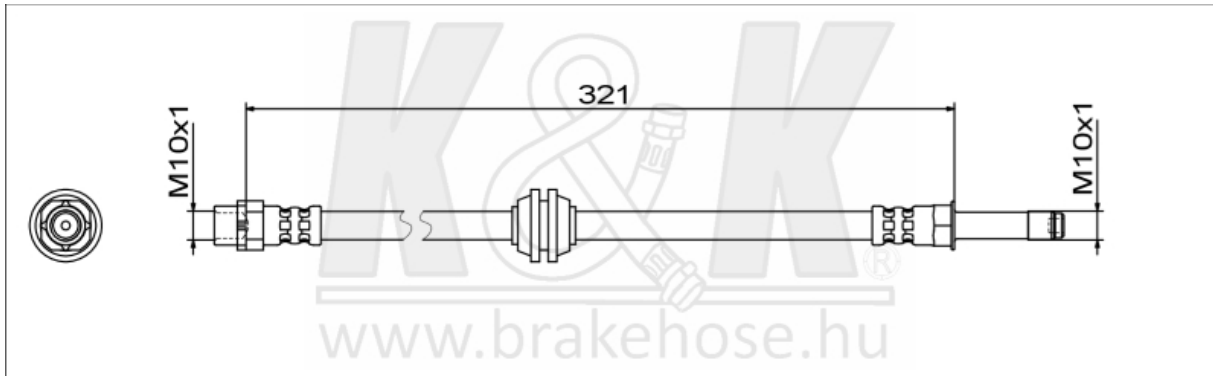


Fig2090				
Part no.	Length	End A	End B	Additional hose features
FT2090	321	M10X1 (INT.)	M10X1	GROMMET

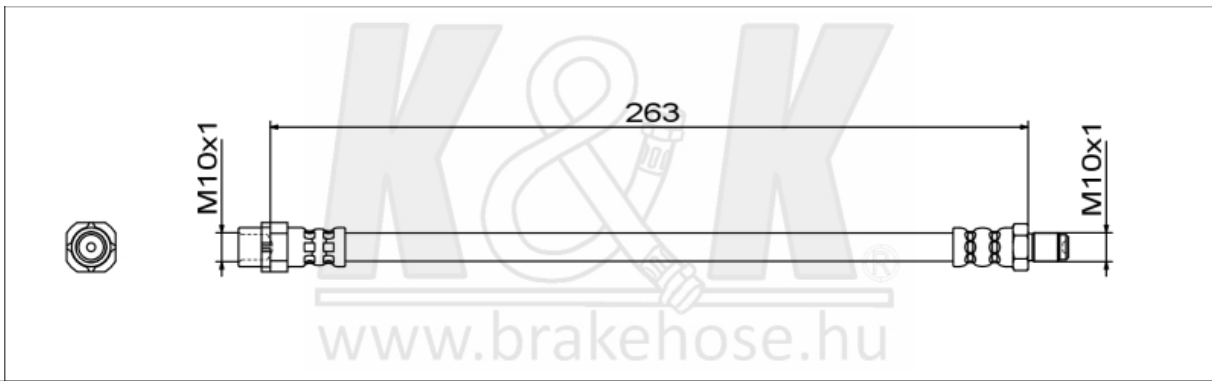


Fig2092

Part no.	Length	End A	End B	Additional hose features
FT2092	263	M10X1 (INT.)	M10X1	

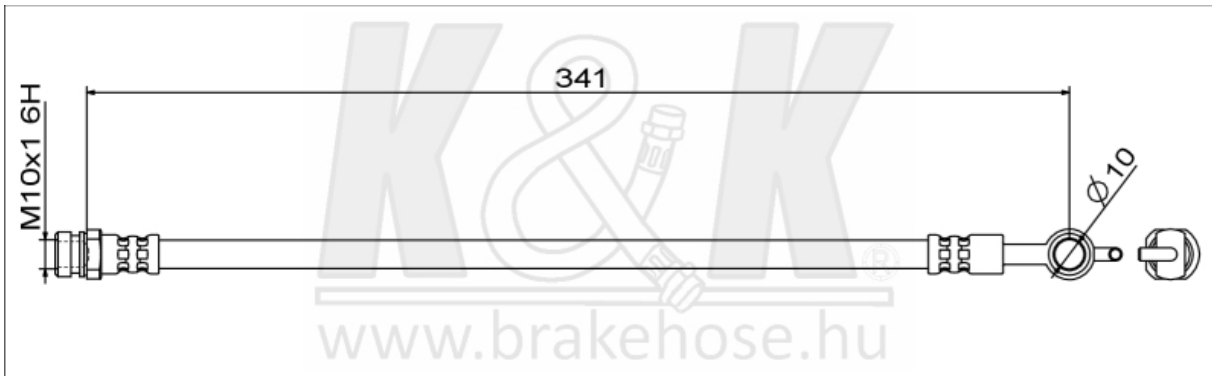


Fig2131

Part no.	Length	End A	End B	Additional hose features
FT2131	341	M10X1 (INT.)	BANJO	-

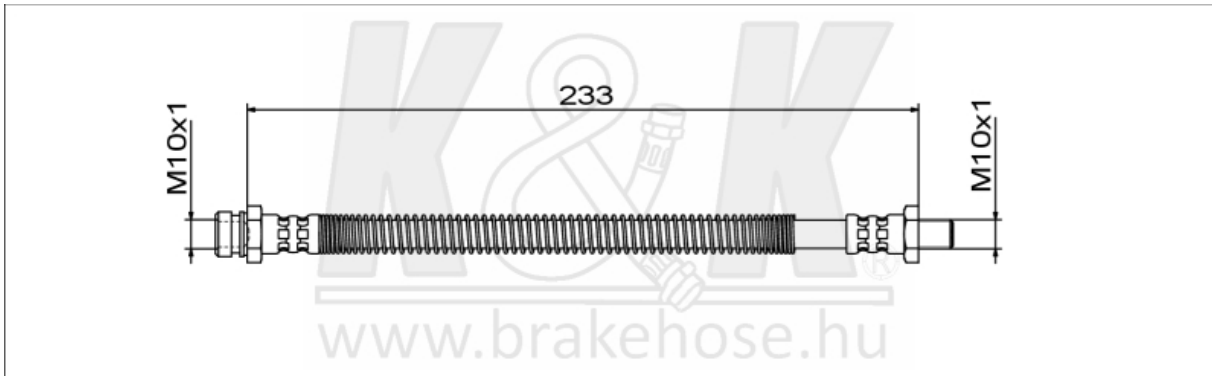


Fig2132

Part no.	Length	End A	End B	Additional hose features
FT2132	233	M10X1 (INT.)	M10X1	ARMoured

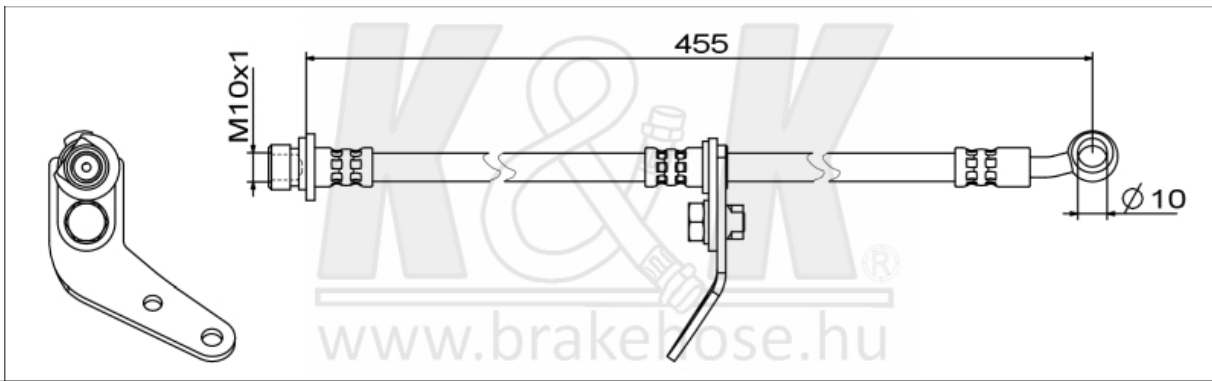


Fig2133

Part no.	Length	End A	End B	Additional hose features
FT2133	455	M10X1 (INT.)	BANJO	HANGING PARTS

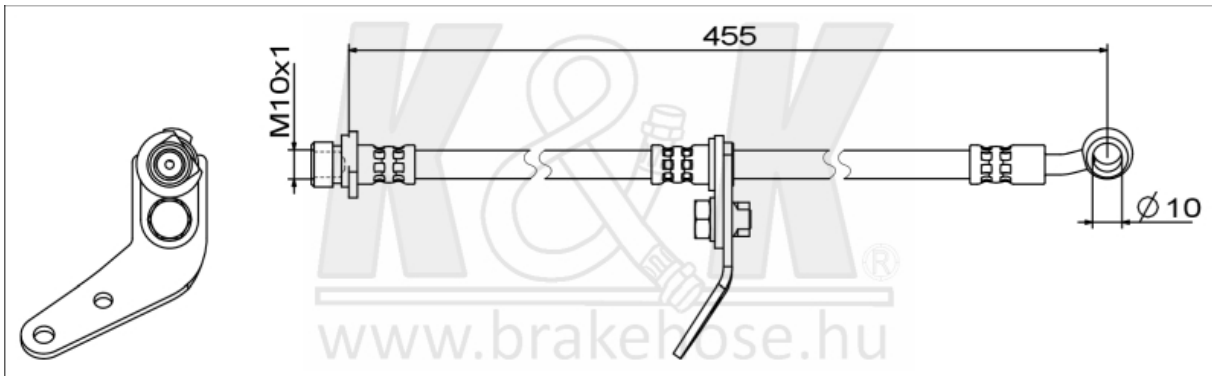


Fig2134

Part no.	Length	End A	End B	Additional hose features
FT2134	455	M10X1 (INT.)	BANJO	HANGING PARTS; OPPOSITE VIEW

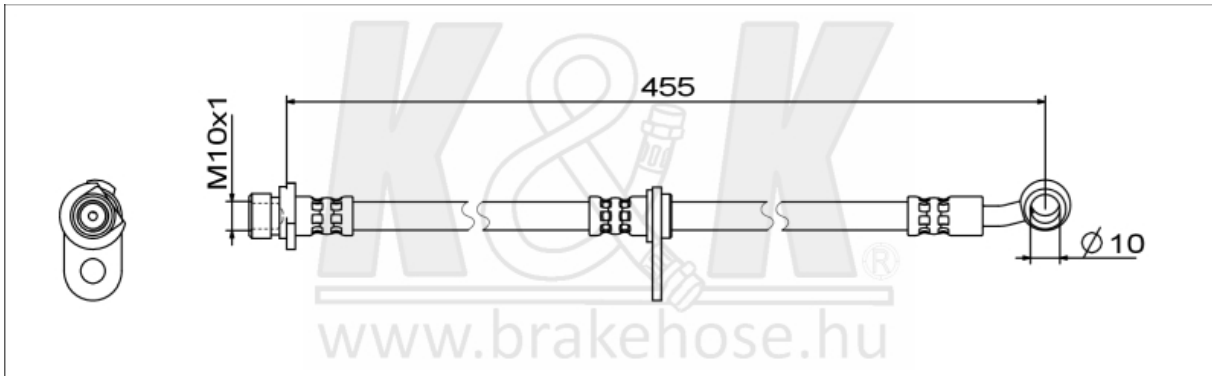


Fig2135

Part no.	Length	End A	End B	Additional hose features
FT2135	455	M10X1 (INT.)	BANJO	OPPOSITE VIEW

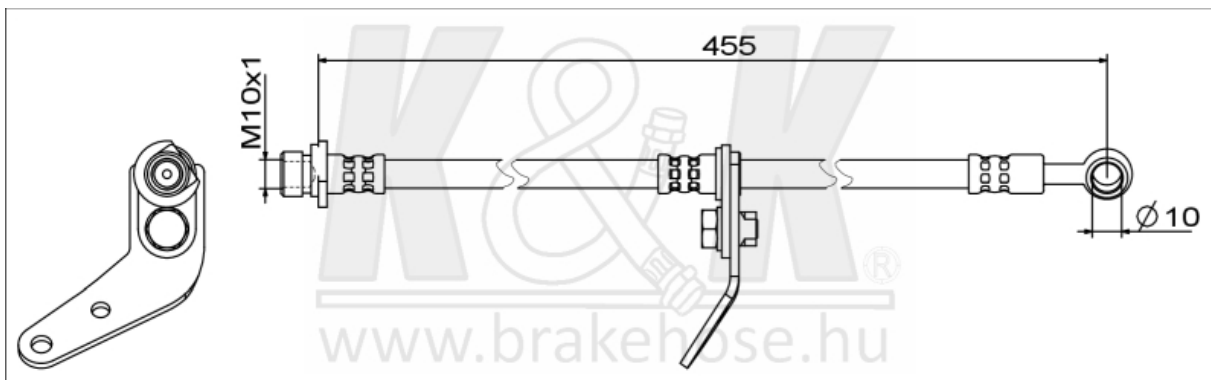


Fig2144

Part no.	Length	End A	End B	Additional hose features
FT2144	455	M10X1 (INT.)	BANJO	HANGING PARTS

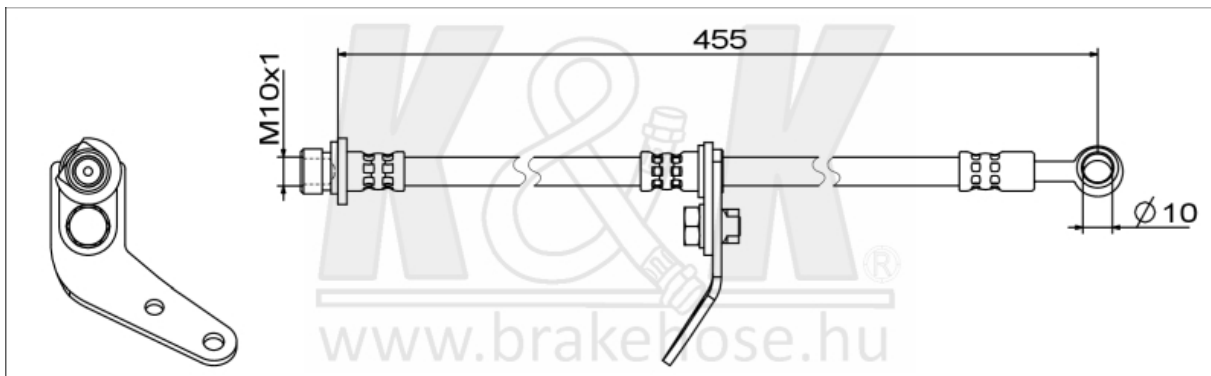


Fig2145

Part no.	Length	End A	End B	Additional hose features
FT2145	455	M10X1 (INT.)	BANJO	HANGING PARTS; OPPOSITE VIEW

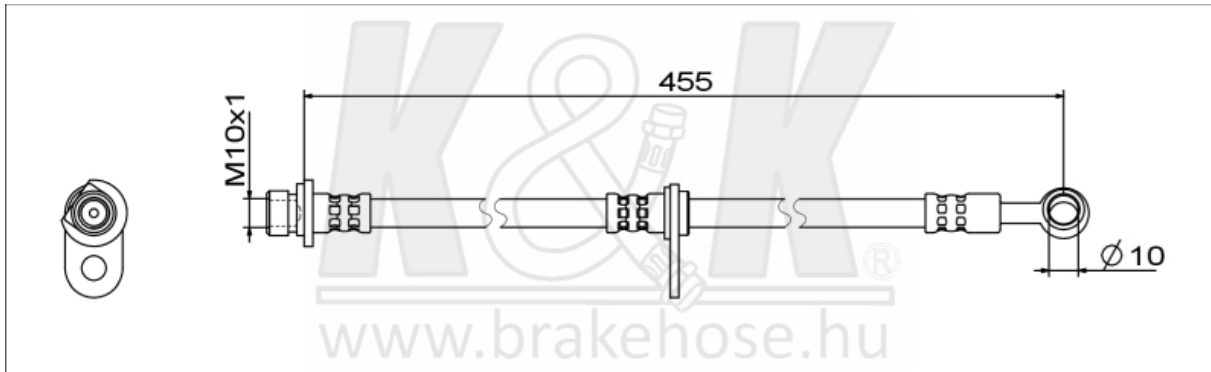


Fig2150

Part no.	Length	End A	End B	Additional hose features
FT2150	455	M10X1 (INT.)	BANJO	OPPOSITE VIEW

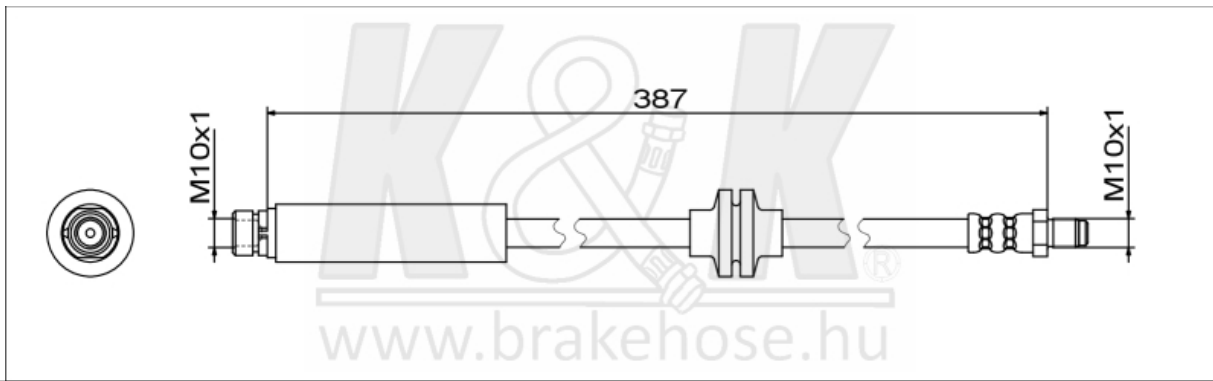


Fig2152

Part no.	Length	End A	End B	Additional hose features
FT2152	387	M10X1 (INT.)	M10X1	SLEEVE; GROMMET

K&K - OE Reference

ALFA ROMEO	
51805325	FT2026
AUDI	
2K3611775H	FT2039
2K5611775H	FT2039
2K5611775M	FT2038
2Q0611701A	FT2032
2Q0611775	FT2029
80A611775	FT2042
8U0611775A	FT2044
8W0611775E	FT2041
BMW	
34106799302	FT2068
34206784620	FT2064
34206799303	FT2057
34206861806	FT2065
34206884953	FT2063
34302284748	FT2092
34306762579	FT0947
34306762580	FT0948
34306774341	FT0947
34306774342	FT0948
34306787512	FT2076
34306792254	FT2075
34306851146	FT2074
34306872061	FT2083
34306879281	FT2082
34306879284	FT2090
34306887449	FT2076
34306895676	FT2087
34326766967	FT0947
34326766968	FT0948
34326775261	FT0949
34326782628	FT2073
34326788440	FT2073
34326858632	FT2071
34326862799	FT0949
CITROEN	
9811142280	FT2027
FIAT	
51805325	FT2026
FORD	
1763953	FT1557
1817726	FT1558
1823095	FT1557
1826890	FT1558
1827425	FT1357
1845912	FT1812
1855104	FT1558
1855105	FT1357
2100811	FT1812
2110006	FT1357

2112272	FT1558
2L842C338AA	FT1635
4080709	FT1635
4099894	FT1635
4438916	FT1635
4729817	FT1635
4782687	FT1635
4855277	FT1635
4905801	FT1635
6L842C338AB	FT1635
6L842C338AC	FT1635
7L842C338AA	FT1635
7L842C338AB	FT1635
BK212282AB	FT1557
BK212282AC	FT1557
BK212282AD	FT1812
BK212282AE	FT1812
BK312282BB	FT1558
BK312282BC	FT1558
BK312282BD	FT1558
BK312282BE	FT1558
BK312282DA	FT1357
BK312282DB	FT1357
BK312282DC	FT1357
EC014381XE	FT1635
YL842C338AA	FT1635
YL842C338AB	FT1635
YL8Z2282AA	FT1635
HONDA	
01464SDAA01	FT2133
01464SDAA03	FT2133
01464SEAE00	FT2145
01464SEAE00	FT2150
01465SDAA00	FT2134
01465SDAA00	FT2135
01465SDAA01	FT2134
01465SDAA01	FT2135
01465SDAA03	FT2134
01465SDAA03	FT2135
01465SEAE00	FT2144
HYUNDAI	
5873102510	FT2130
5873105100	FT2130
IVECO	
5801619213	FT2051
5801819731	FT2047
KIA	
5873102510	FT2130
587371W300	FT2131
587443F000	FT2132
MAZDA	
EC014381XA	FT1635

EC014381XB	FT1635
EC014381XE	FT1635
MERCEDES	
2044200448	FT1483
2044200748	FT1482
2044200948	FT1483
A2044200448	FT1483
A2044200748	FT1482
A2044200948	FT1483
MINI	
34306863167	FT2087
34306895676	FT2087
OPEL	
0562413	FT1952
0562493	FT1952
13371200	FT2026
13377861	FT1610
13378378	FT1952
13399647	FT1952
13415812	FT1610
13415813	FT1609
3640628	FT2027
39041646	FT1952
39041653	FT1610
562250	FT2026
562411	FT1610
562413	FT1952
562493	FT1952
562531	FT1610
562532	FT1609
84068588	FT1927
84106459	FT1928
84106460	FT1929
84199608	FT1927
84199643	FT1928
84199644	FT1929
9811142280	FT2027
RENAULT	
462100001R	FT0932
SEAT	
1ML611701A	FT2031
2Q0611701A	FT2032
2Q0611775	FT2029
6LL611701	FT2030
SKODA	
2Q0611701A	FT2032
2Q0611775	FT2029
TOYOTA	
90118WA636	FT2090
VAUXHALL	
0562413	FT1952
0562493	FT1952

13371200	FT2026
13377861	FT1610
13378378	FT1952
13399647	FT1952
13415812	FT1610
13415813	FT1609
3640628	FT2027
39041646	FT1952
39041653	FT1610
562411	FT1610
562413	FT1952
562493	FT1952
562531	FT1610
562532	FT1609
84106459	FT1928
84106460	FT1929
84199608	FT1927
84199643	FT1928
84199644	FT1929
9811142280	FT2027
VOLKSWAGEN	
2H0611701	FT2046
2H0611701B	FT2046
2H6611701	FT2036
2H6611776	FT2043
2K3611775H	FT2039
2K5611775H	FT2039
2K5611775M	FT2038
2Q0611701A	FT2032
2Q0611775	FT2029
VOLVO	
30665599	FT2152
30681727	FT2152
30714414	FT2152
30714816	FT2152